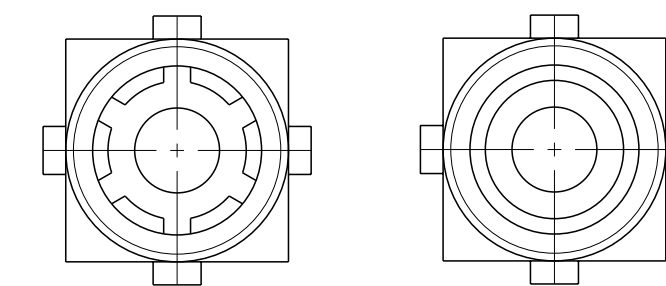
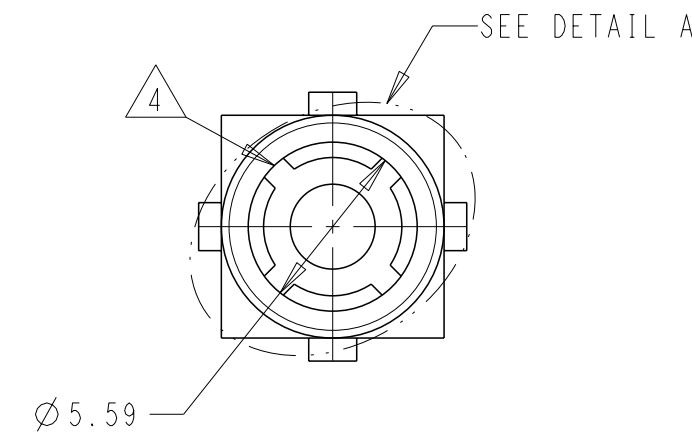
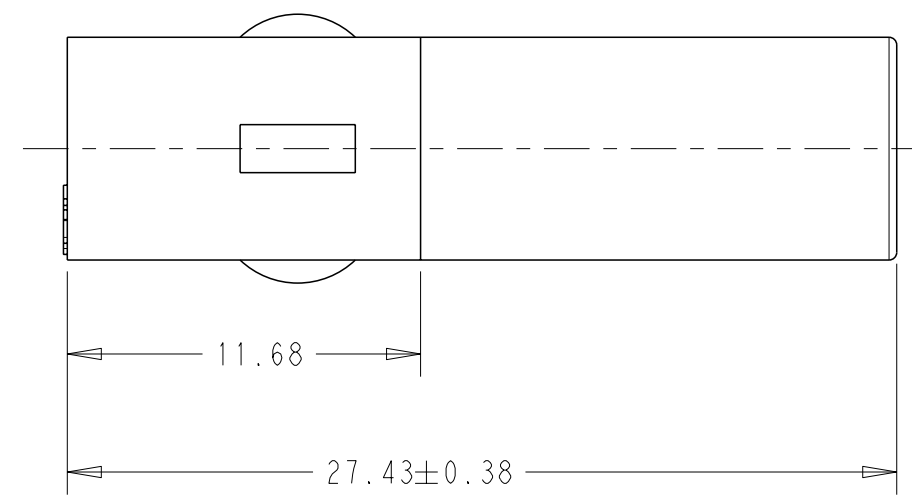
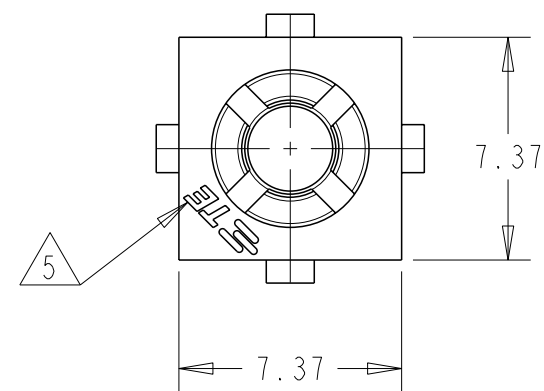
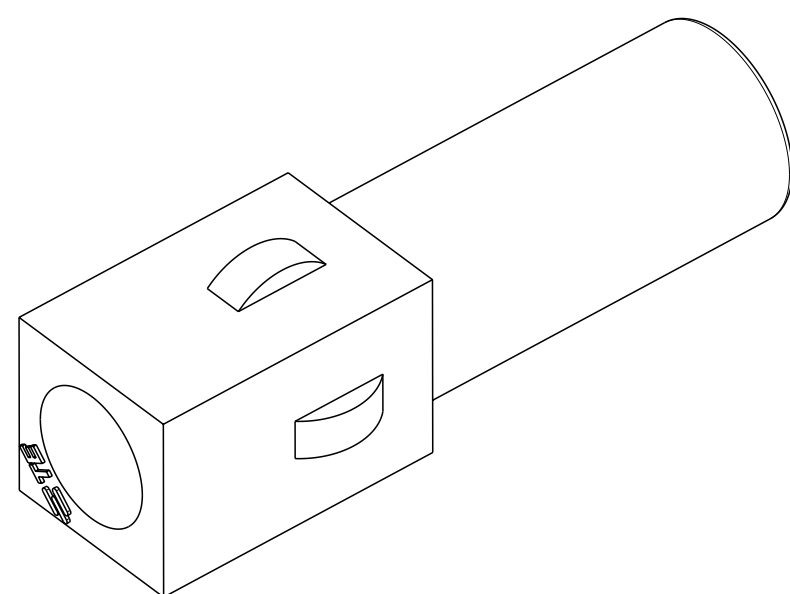


P	LTR	DESCRIPTION	DATE	DWN	APVD
N1		REDRAWN PER ECO-19-005708	06MAY2019	BKW	SF

- MATES WITH APPROPRIATE UNIVERSAL MATE-N-LOCK™ CAP
 - SMALL NICKS ARE PERMITTED ON THE CIRCUIT TOWER WHICH COULD INCREASE THE INITIAL HOUSING MATING FORCE BY UP TO 2.2 NEWTONS (.5 LBS.)
 - DIMENSIONS SHOWN REPRESENT PRODUCT IN DRY, AS MOLDED, CONDITION. ADDITIONAL 2% GROWTH DUE TO SUBSEQUENT MOISTURE ABSORPTION MAY OCCUR AND SHOULD BE ACCOUNTED FOR.
- △4 FOUR RIBS EQUALLY SPACED, NO SPECIFIC ORIENTATION. NO RIBS OR SIX RIBS EQUALLY SPACED, NO SPECIFIC ORIENTATION, OPTIONAL.
- △5 TRADEMARK LOCATION: AMP OR TE



DETAIL A
OPTIONAL CONSTRUCTIONS



NATURAL	1-350867-0
COLOR	PART NUMBER

THIS DRAWING IS A CONTROLLED DOCUMENT.		DWN B. WEAVER 06MAY2019	STE TE Connectivity	
DIMENSIONS: mm		CHK S. FERNANDES 06MAY2019		
TOLERANCES UNLESS OTHERWISE SPECIFIED:		APVD T. BENCHOFF 06MAY2019	NAME PLUG, SINGLE CIRCUIT, UNIVERSAL MATE-N-LOCK	
0 PLC ±-	1 PLC ±-	PRODUCT SPEC	-	
2 PLC ±0.13	3 PLC ±-	APPLICATION SPEC	-	
4 PLC ±-	ANGLES ±0° 30'	WEIGHT	-	
MATERIAL NYLON UL 94V-2	FINISH	CUSTOMER DRAWING	SIZE A2	CAGE CODE 00779
			DRAWING NO C-350867	RESTRICTED TO -
			SCALE 4:1	SHEET 1 OF 1
			REV N1	