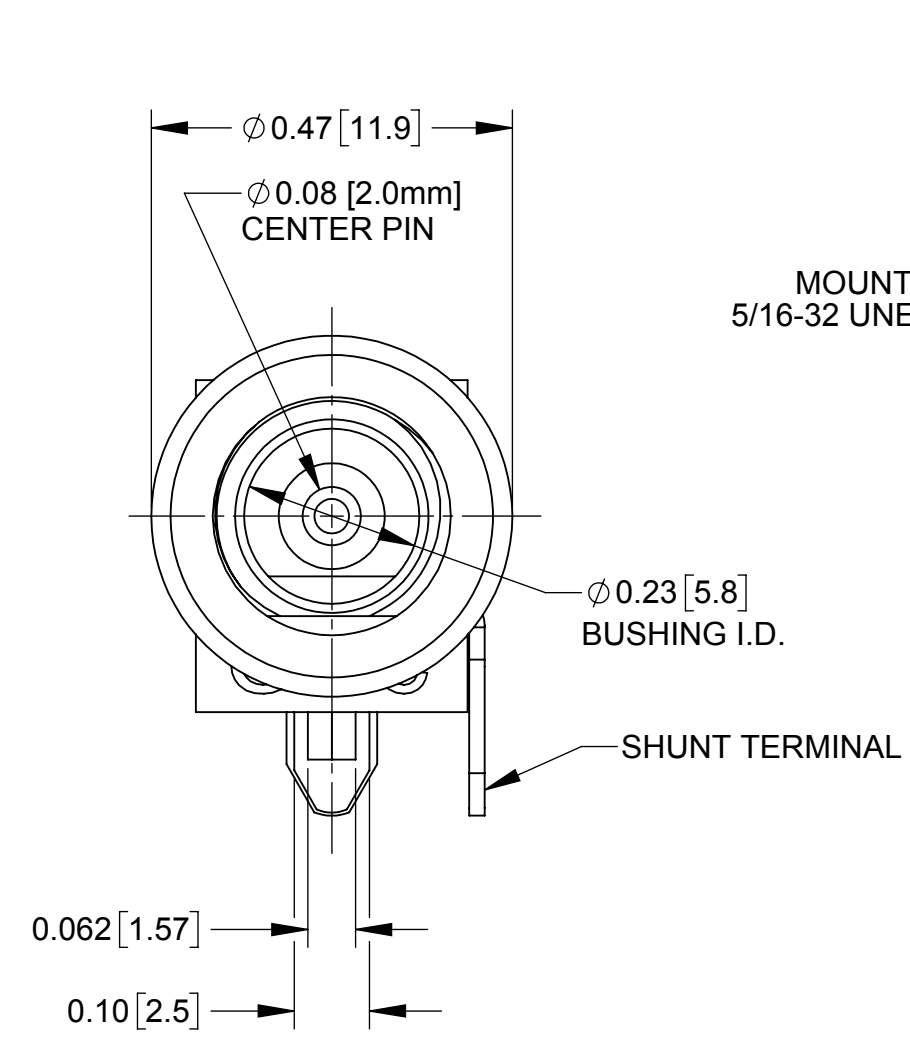
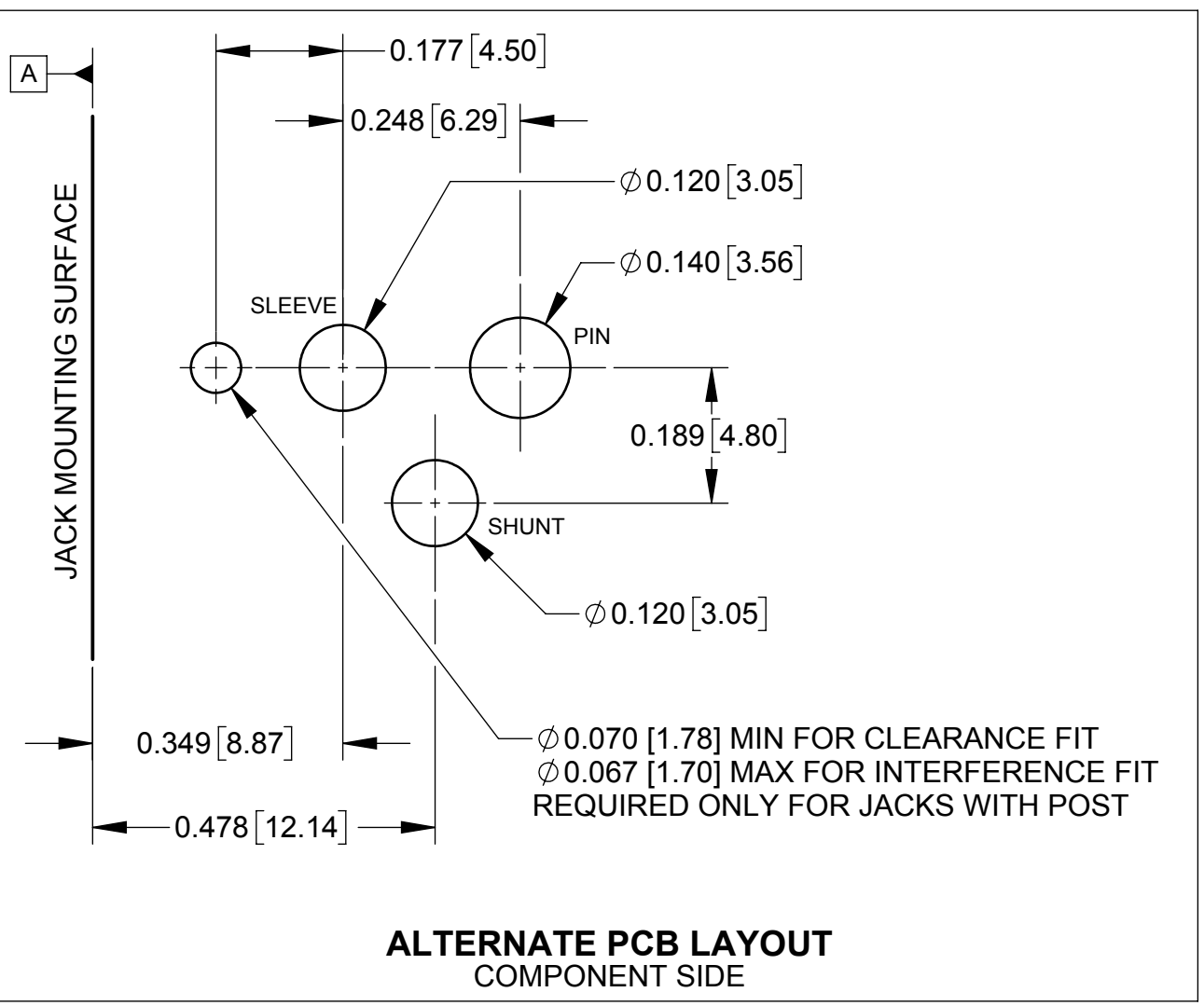
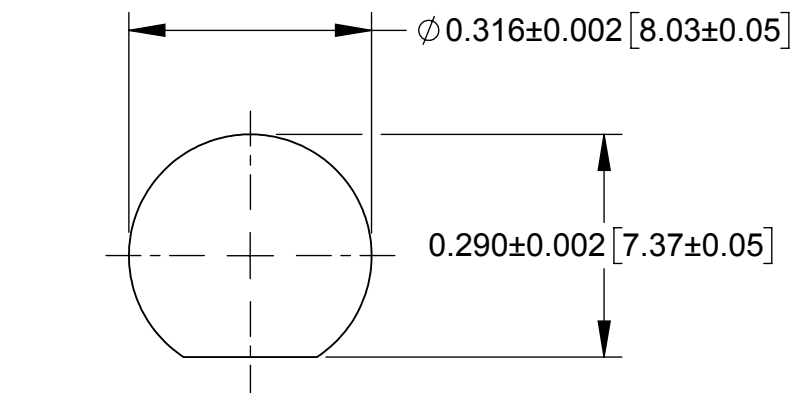
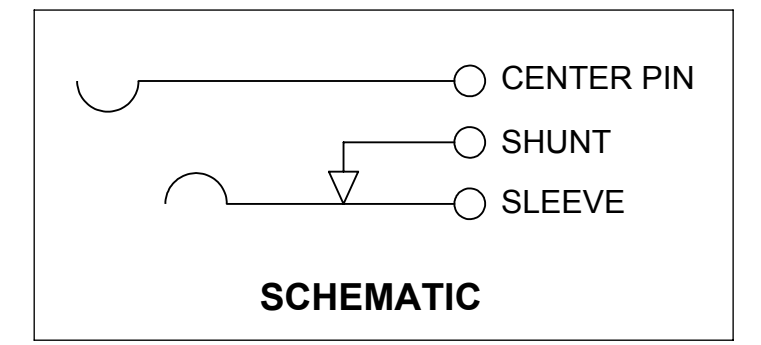
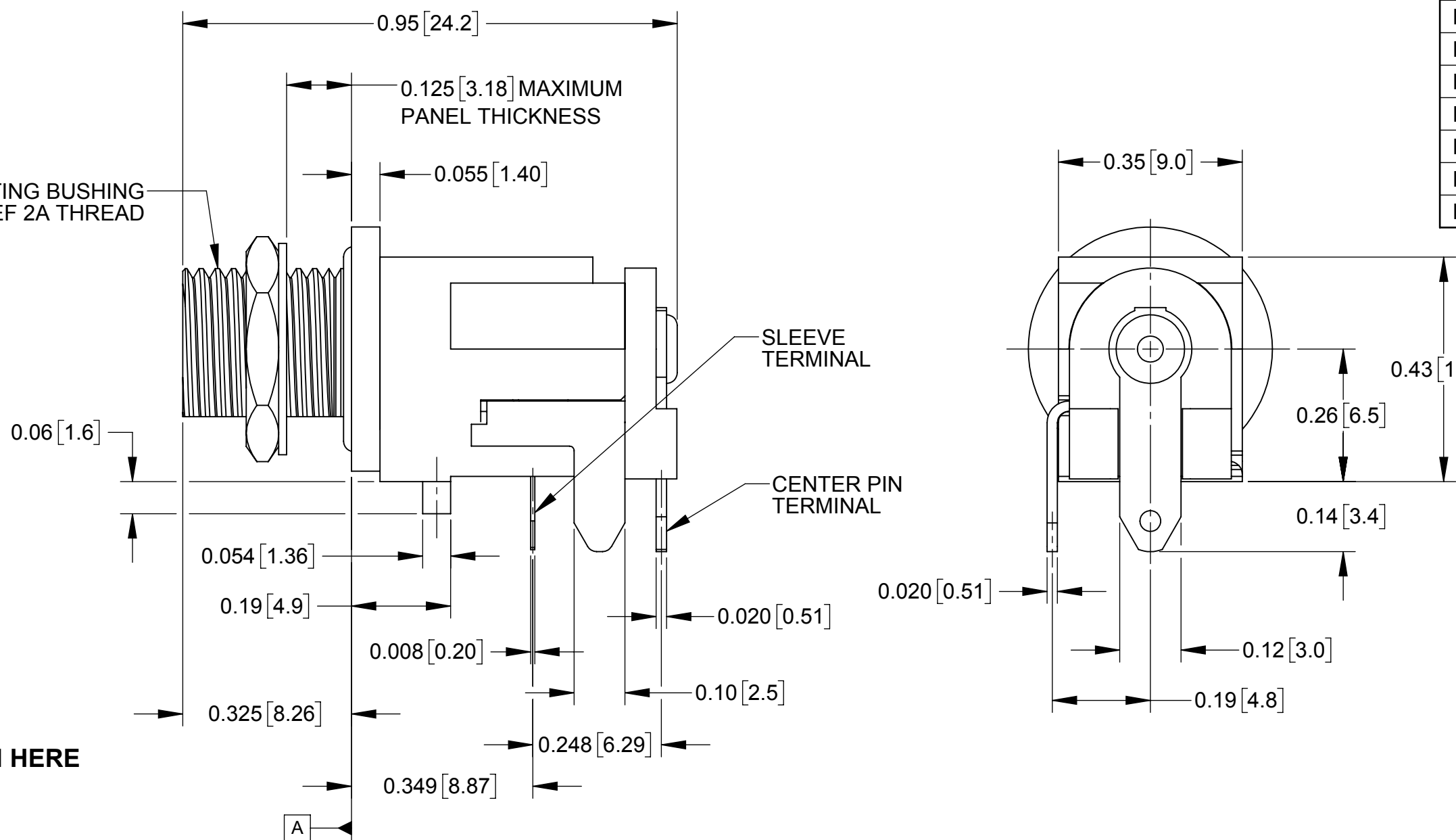


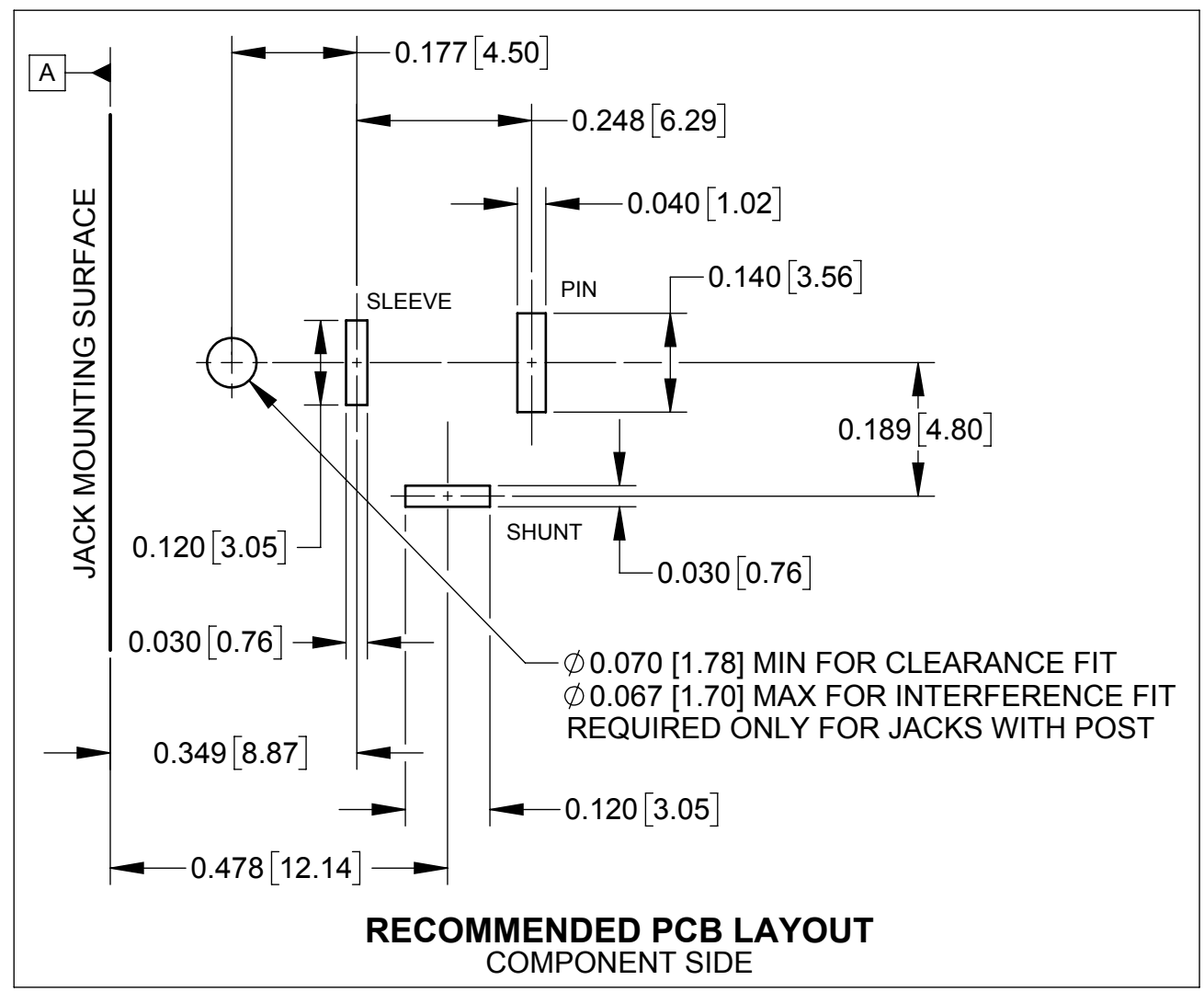
PART NUMBER	SEAL O-RING	PCB LOCATING POST	TERMINAL PLATING
RAPC10	NO	NO	SILVER
RAPC10S	YES	NO	
RAPC10P	NO	YES	TIN
RAPC10PS	YES	YES	
RASPC10	NO	NO	TIN
RASPC10S	YES	NO	
RASPC10P	NO	YES	
RASPC10PS	YES	YES	



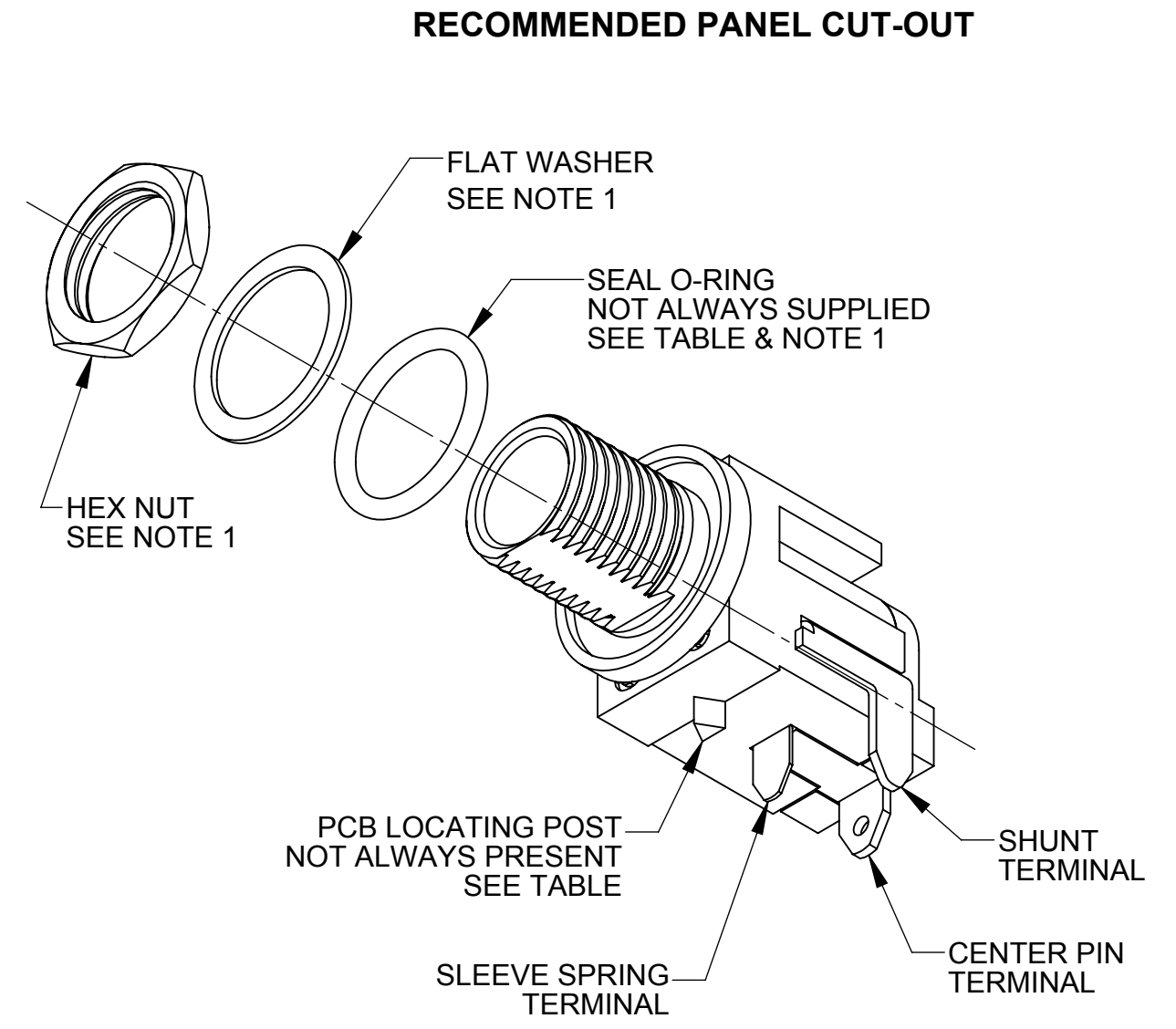
RAPC10PS SHOWN HERE



ALTERNATE PCB LAYOUT COMPONENT SIDE



RECOMMENDED PCB LAYOUT COMPONENT SIDE



RECOMMENDED PANEL CUT-OUT

- NOTES:
- HEX NUT, WASHER, AND O-RING (IF REQUIRED) SUPPLIED UNASSEMBLED.
 - MATERIAL:
HOUSING, COVER: THERMOPLASTIC, BLACK
MOUNTING BUSHING, HEX NUT: COPPER ALLOY, NICKEL PLATED
CENTER PIN: COPPER ALLOY, NICKEL PLATED
PIN AND SHUNT TERMINALS: COPPER ALLOY, SILVER OR TIN PLATED
SLEEVE SPRING TERMINAL: SPRING COPPER ALLOY, SILVER OR TIN PLATED
FLAT WASHER: STEEL, NICKEL PLATED
O-RING: ELASTOMER, BLACK
 - THESE PRODUCTS ARE RoHS COMPLIANT.

CUSTOMER DRAWING

REVISIONS					UNLESS OTHERWISE SPECIFIED				THIS DRAWING DESCRIBES A DESIGN CONSIDERED PROPRIETARY IN NATURE, DEVELOPED AND MANUFACTURED BY SWITCHCRAFT INC. AND IS RELEASED ON A CONFIDENTIAL BASIS FOR IDENTIFICATION PURPOSES ONLY.				
REV	ECO NUMBER	DATE	BY	APVD	1. ALL DIMENSIONS IN INCHES [mm] - TWO PLACE DECIMALS ±0.02 [0.5] - THREE PLACE DECIMALS ±0.005 [0.13]				SIZE	WIDTH	MULT	LBS/M	TEMPER
B	27785	10/05/16	PC	TJK	FINISH SPEC No.				MATERIAL SPEC No.				
A	27139	04/29/13	PC	TJK	FIRST USED ON				SCALE 4:1				
					DATE DRAWN	BY	CHKD	APVD	NAME RA POWER JACKS, PC HIGH AMP, Ø0.08 [2.0mm] PIN, RoHS				
					02/16/12	PNK	PNK	SRC	PART No. RA_PC10 SERIES				
					DO NOT SCALE DRAWING				SHEET 1 OF 1				
					SolidWorks CAD File				REV B				

