



Copyright FCI.

A

B

C

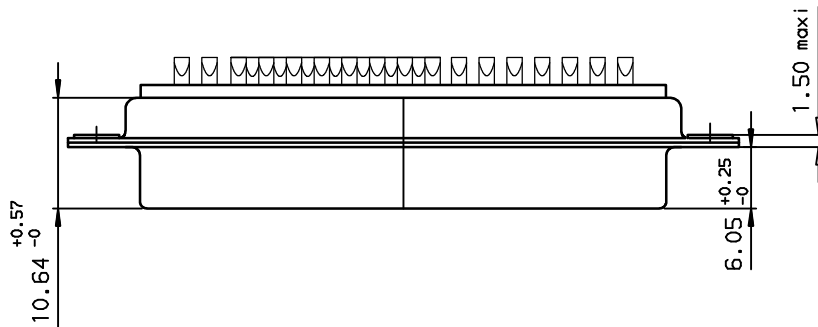
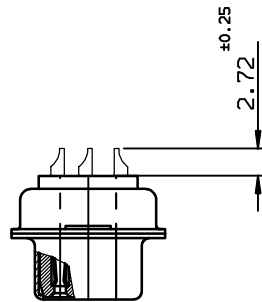
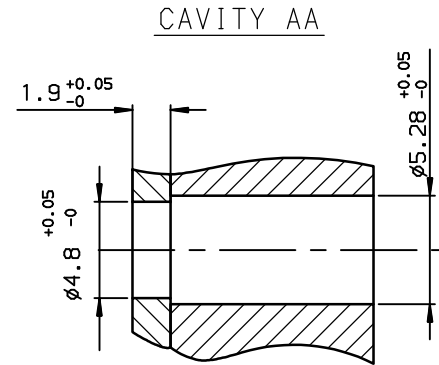
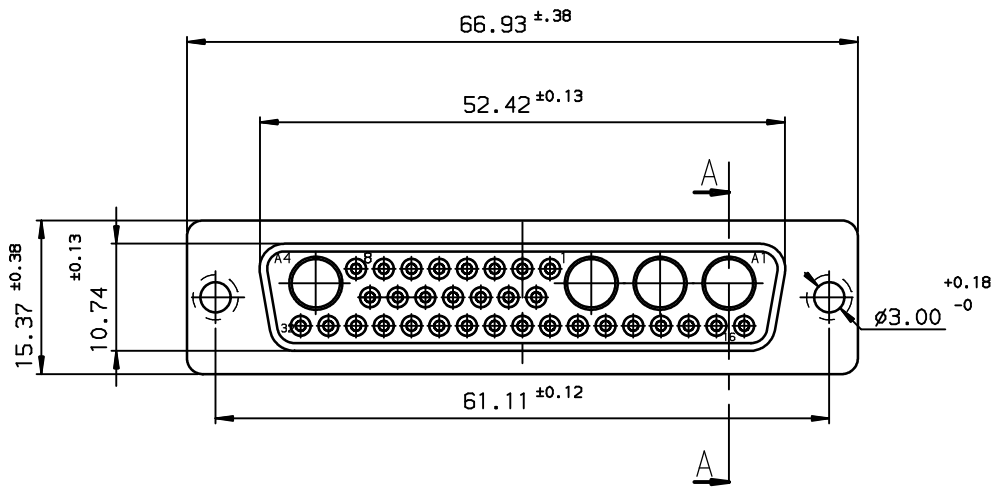
D

A

B

C

D



TIN LEAD PART NUMBER

DD36W4SA00
PART NUMBER

LEAD FREE PART NUMBER

DD36W4SA00LF
PART NUMBER

**GENERAL CHARACTERISTICS AND ROHS INFORMATIONS:  
SEE DRAWING C01-8639-0003**

European Views

rev	ecn no	dr	date
C	-	BAR	2003/11/03
D	LS05-005	MPE	2005/03/16
E	LS06-0095	LGO	2006/07/19
-	-	-	-
-	-	-	-
-	-	-	-
-	-	-	-

www.fciconnect.com		surface ISO 1302 <input checked="" type="checkbox"/>	tolerance std ISO 406 ISO 1101	projection 	mm
TOLERANCES UNLESS OTHERWISE SPECIFIED					
Dr	JARRY	1996/08/22	ANGULAR	0.x ±0.1	size A3
Eng	PESSON	1996/08/22	LINEAR	0.xx ±0.1	Scale 2
Chr	LEGARE	1996/08/22	0.xx' ±2'	0.xxx ±0.1	ECN LS06-0095
Appr	LEGARE	1996/08/22	Product family	D-SUB	Spec ref -
			<b>FEMALE CONNECTOR 32 SOLDERS CTS</b> WITH 4 POWERS CTS		title <b>C01-8639-0623</b> Rev. <b>E</b>
catalog no			-		CUSTOMER sheet 1 of 1

REV F - 2006-04-17