



# SPECIFICATION FOR PIEZO Speaker

TOTAL PAGE 07

[www.bestargroups.com](http://www.bestargroups.com)

RoHS

## Preliminary Specification For The Acoustic Characteristics of Piezo Speaker

Customer		Model Name	BPS2030H1.3-01
Customer P/N		Product No.	250132
Date	30 Nov. 16	Issue No.	BS/TEPS01.004A
Page	01 of 07	Issue Date	2016/11/30

### Approval:

1. Technical Terms
2. Drawing
3. Reliability Test
4. Packing
5. History Change Record

Drawn by	Checked by	Approved by	Customer approved
魏春欢	赵 崢	徐金国	

### **BESTAR HOLDING CO.,LTD**

No.199 HuangHe West Road, New district, ChangZhou, JiangSu Province, P.R.China

**Tel:** +86 519 88222567

**Fax:** +86 519 88222551

**E-mail:** [wu@be-star.com](mailto:wu@be-star.com)

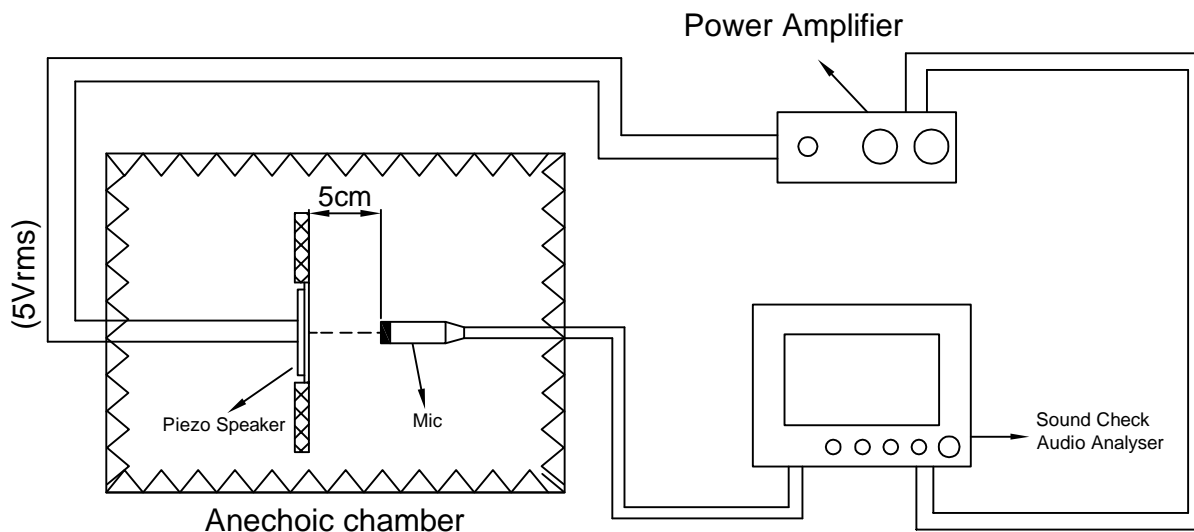
**<http://www.bestargroups.com>**

# BPS2030H1.3-01

## 1. Technical Terms

No.	Item	Specifications
1.	Size	20x30X1.8mm
2.	Resonance frequency	8.00±150Hz
3.	Rated input voltage	7Vrms
4.	Maximum input voltage	9Vrms
5.	S.P.L(5Vrms 5cm)	93±3 dB(Avg1.0, 1.5, 1.8, 2.0, 3, 3.5,4 KHz)
6.	Operating temperature	-20...+70°C
7.	Storage temperature	-30...+85°C

## 1.2 Test Method

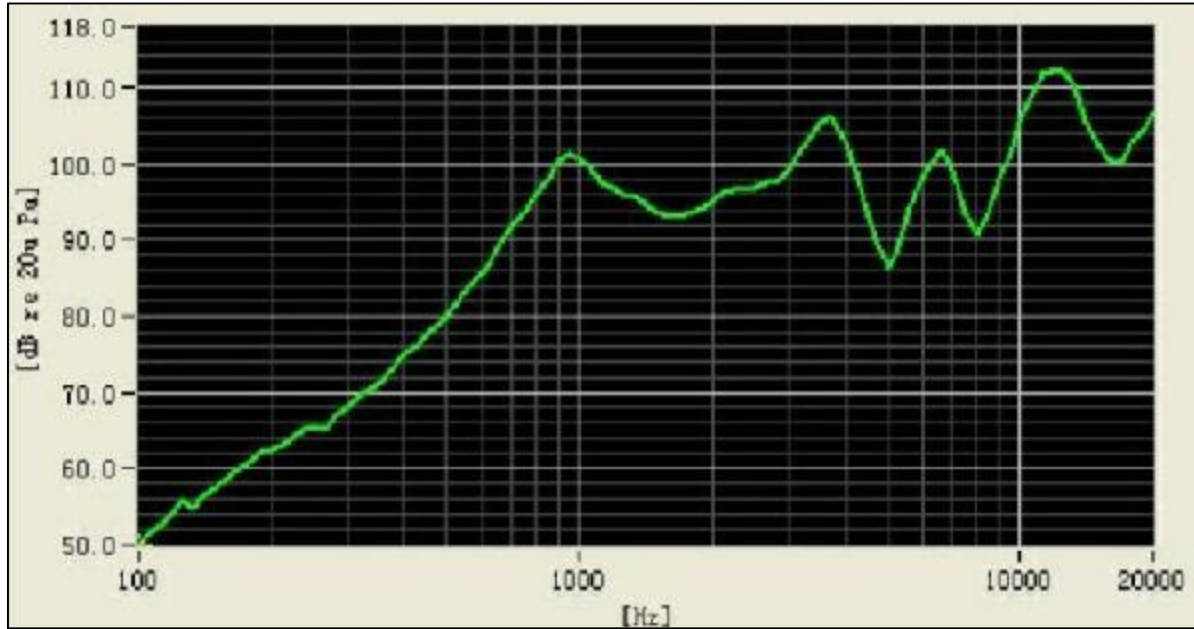


This print and information there in are proprietary to BeStar Holding Co., Ltd. and shall not be used in whole or in part without its written content

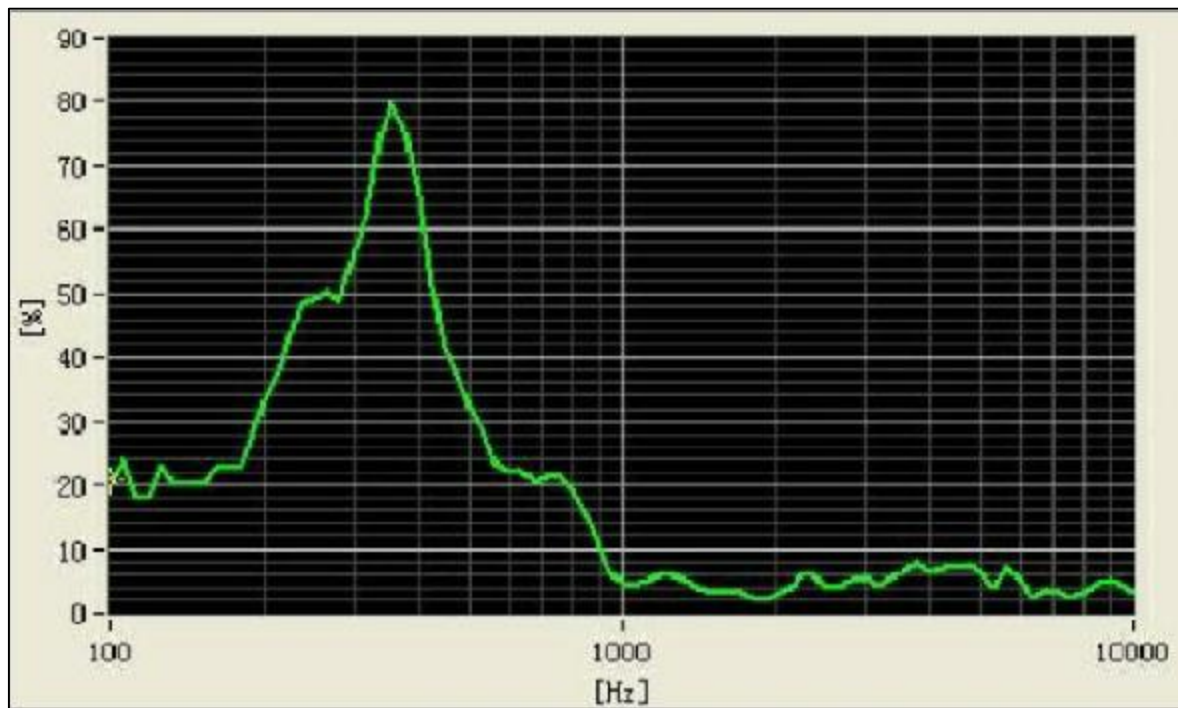
				Date:	2016/11/30	BPS2030H1.3-01	
				Drawn by:	魏春欢		
				Checked by:	赵 崢	Piezo Speaker	
Rev.	Date	Drawn	Note	Approved by:	徐金国		
BESTAR HOLDING CO.,LTD						DRG NO:BS/TEPS01.004A	Page:02 of 07
www.bestargroups.com wu@be-star.com							

# BPS2030H1.3-01

1.3 Frequency Response Curve (only for reference)



1.4 Total Harmonic Distortion Curve (only for reference)

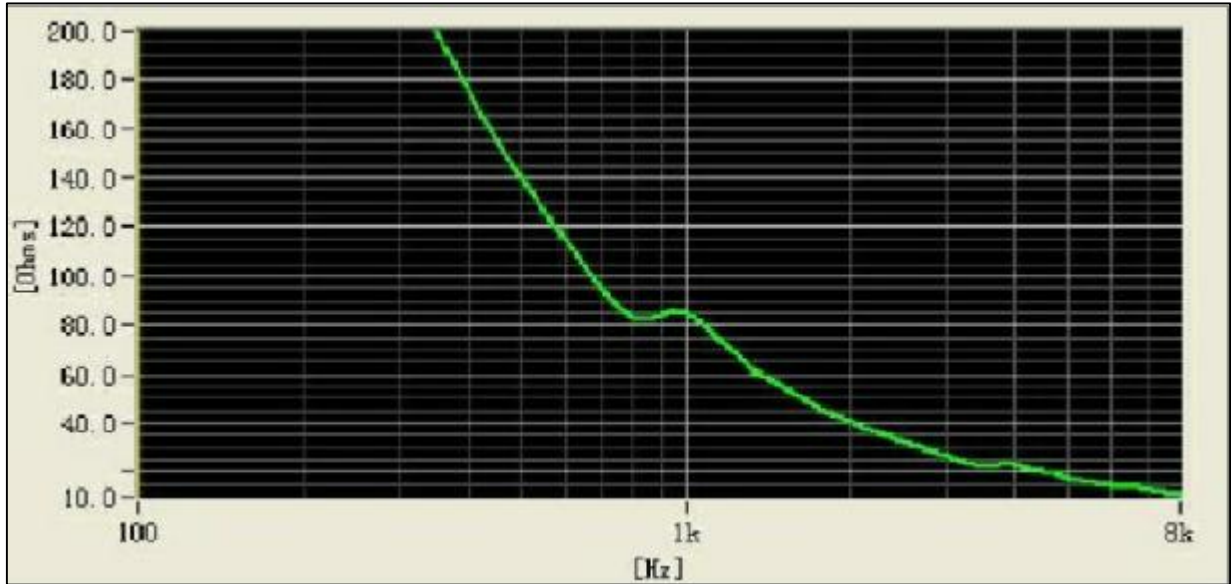


This print and information there in are proprietary to BeStar Holding Co., Ltd. and shall not be used in whole or in part without its written content

				Date:	2016/11/30	<b>BPS2030H1.3-01</b>
				Drawn by:	魏春欢	
				Checked by:	赵 峥	
Rev.	Date	Drawn	Note	Approved by:	徐金国	Pizeo Speaker
BESTAR HOLDING CO.,LTD						DRG NO:BS/TEPS01.004A
<a href="http://www.bestargroups.com">www.bestargroups.com</a> wu@be-star.com						Page:03 of 07

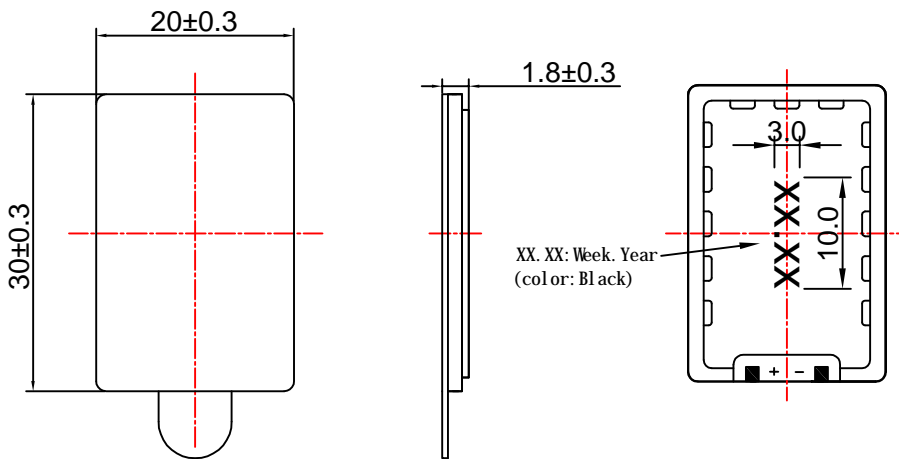
# BPS2030H1.3-01

1.5 Impedance Response Curve (only for reference)



## 2.Drawing

Unit:mm  
Tolerance:±0.3



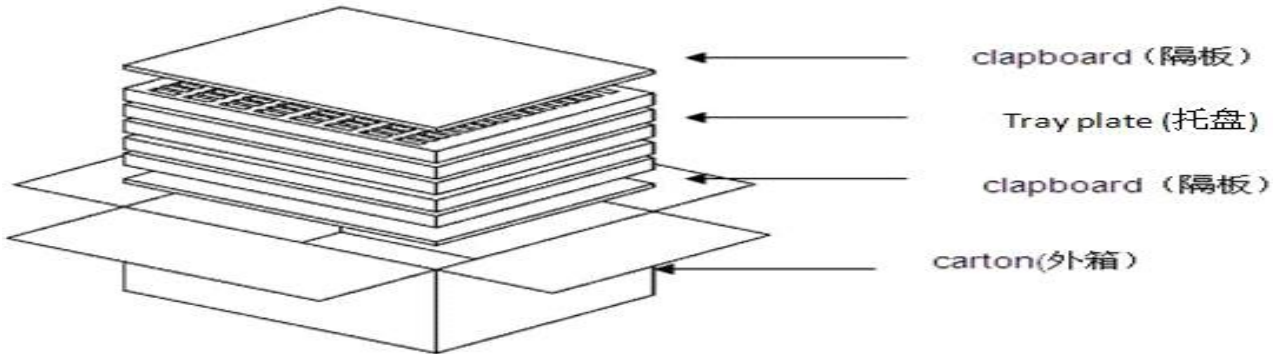
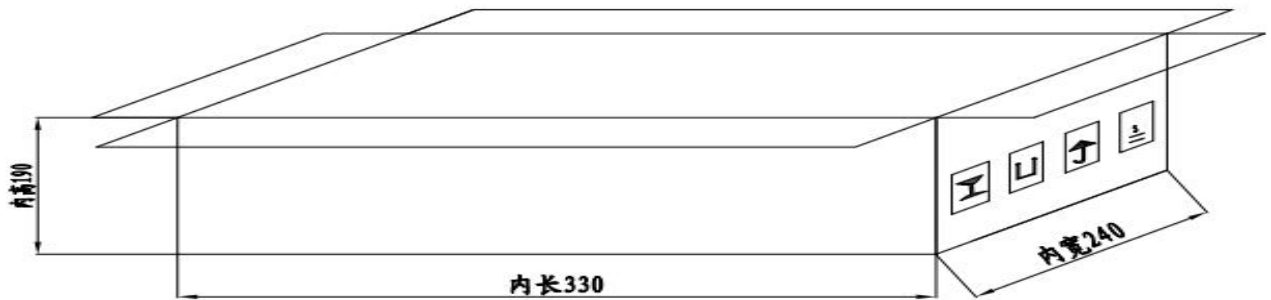
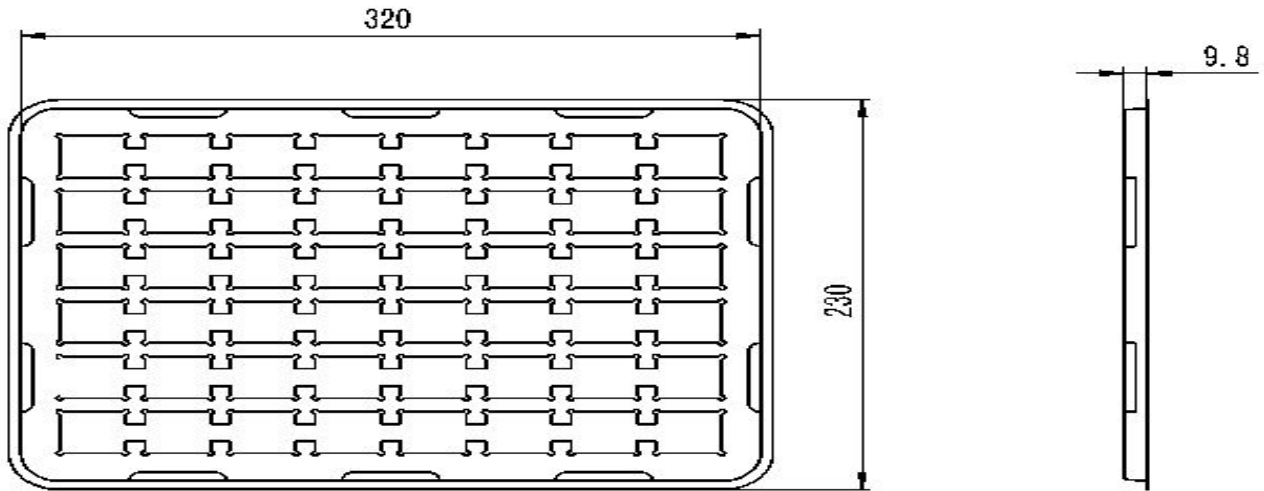
This print and information there in are proprietary to BeStar Holding Co., Ltd. and shall not be used in whole or in part without its written content

				Date:	2016/11/30	<b>BPS2030H1.3-01</b>
				Drawn by:	魏春欢	
				Checked by:	赵 峥	
Rev.	Date	Drawn	Note	Approved by:	徐金国	Piezo Speaker
BESTAR HOLDING CO.,LTD						DRG NO:BS/TEPS01.004A
<a href="http://www.bestargroups.com">www.bestargroups.com</a> wu@be-star.com						Page:04 of 07



BPS2030H1.3-01

4. Packing (TBD)



20pcs per Tray Plate,  
25pcs cardboard per carton,  
500pcs per carton

This print and information there in are proprietary to BeStar Holding Co., Ltd. and shall not be used in whole or in part without its written content

				Date:	2016/11/30	BPS2030H1.3-01	
				Drawn by:	魏春欢		
				Checked by:	赵 崢	Piezo Speaker	
Rev.	Date	Drawn	Note	Approved by:	徐金国		
BESTAR HOLDING CO.,LTD						DRG NO:BS/TEPS01.004A	Page:06 of 07
www.bestargroups.com wu@be-star.com							

