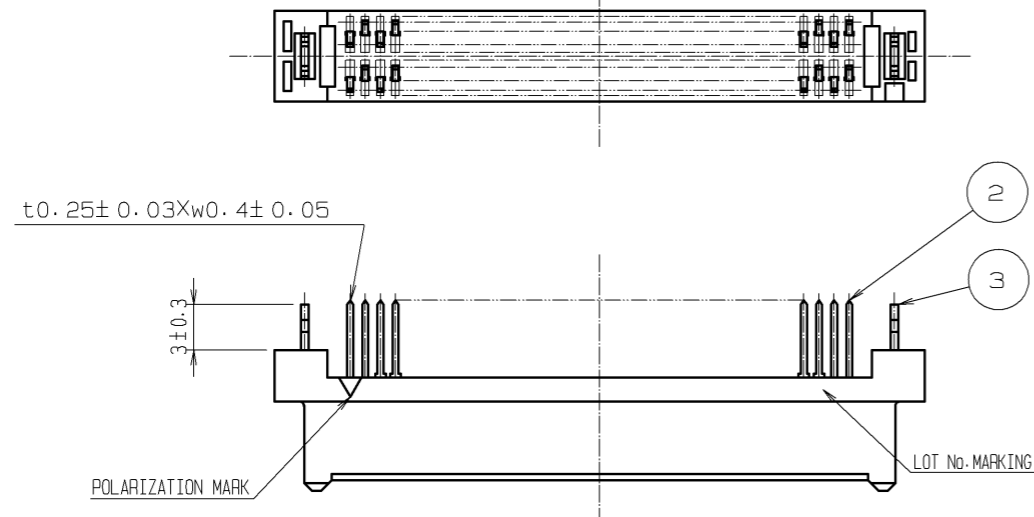
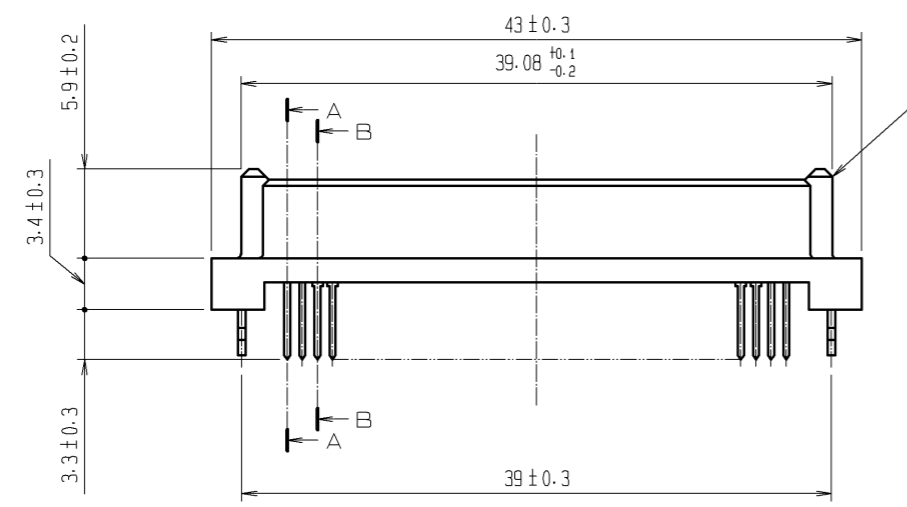
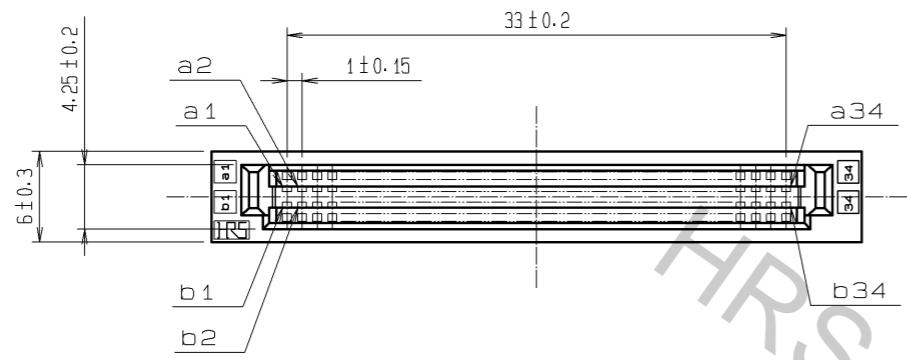
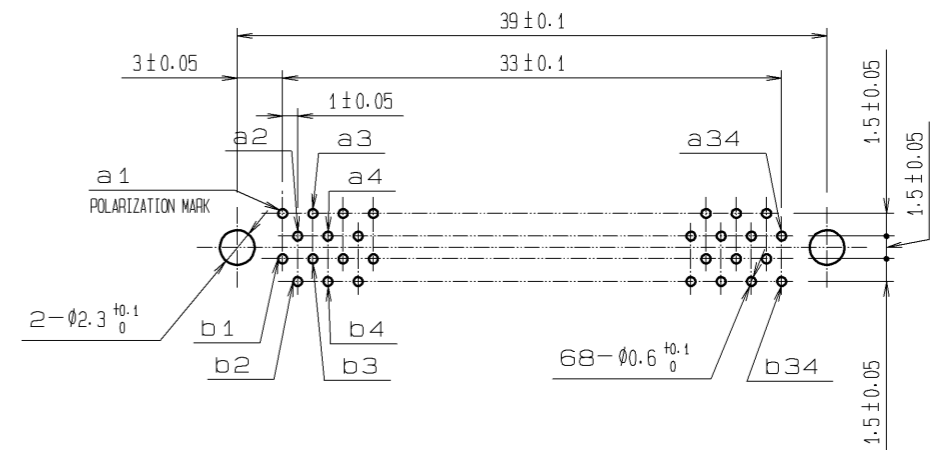


Apr.1.2017 Copyright 2017 HIROSE ELECTRIC CO., LTD. All Rights Reserved.

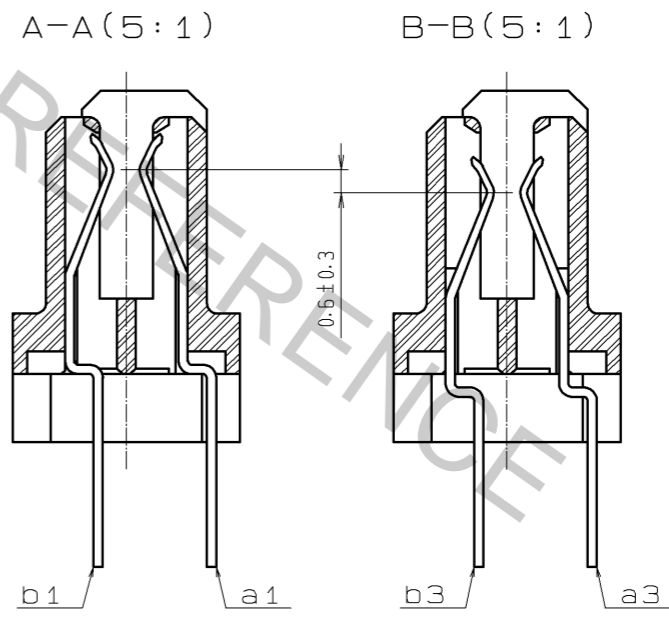


RECOMMENDED PC BOARD HOLE PATTERN (MOUNTING SIDE)  
APPLICABLE BOARD THICKNESS: 1.6



CONTACT SEQUENCE

SEQUENCE	PIN NO.
1	a1, a2, a33, a34 b1, b2, b33, b34
2	a3~a32 b3~b32



3	PHOSPHOR BRONZE	TIN-PLATING	2	PHOSPHOR BRONZE	CONTACT AREA : GOLD 0.1µm min.				
1	POLYAMIDE	BEIGE UL94V-0			LEAD AREA : TIN-PLATING 1.2µm min.				
					UNDER PLATING : NICKEL 1µm min.				
NO.	MATERIAL	FINISH	REMARKS	NO.	MATERIAL	FINISH	REMARKS		
UNITS	mm	SCALE	2 : 1	COUNT	△	DESCRIPTION OF REVISIONS	DESIGNED	CHECKED	DATE
<b>HRS</b> HIROSE ELECTRIC CO., LTD.		APPROVED : HS. OKAWA	08.07.14	DRAWING NO.		EDC3-151421-21			
		CHECED : HT. YAMAGUCHI	08.07.14	PART NO.		FX5-68S2A-DSAL(71)			
		DESIGNED : SY. KAMIGA	08.07.11	CODE NO.		CL575-0128-8-71			
		DRAWN : HK. SUNADORI	08.06.19			△ 1/1			