

# EMUG 22- 4REL/KSR-G 24/ 1

Order No.: 2943754



<http://eshop.phoenixcontact.de/phoenix/treeViewClick.do?UID=2943754>

Relay module, multi-channel, with 4 soldered-in miniature switching relays for DC voltage with light indicator and 1 N/O contact each, contact for medium to large loads, input voltage 24 V DC

Commercial data	
EAN	4017918081300
Pack	5 pcs.
Customs tariff	85364190
Weight/Piece	0.08492 KG

#### Product notes

WEEE/RoHS-compliant since:  
06/07/2007



<http://www.download.phoenixcontact.com>  
Please note that the data given here has been taken from the online catalog. For comprehensive information and data, please refer to the user documentation. The General Terms and Conditions of Use apply to Internet downloads.

Technical data	
<b>Coil side</b>	
Nominal input voltage $U_N$	24 V DC
Input voltage range in reference to $U_N$	0.8 ... 1.1
Nominal input current at $U_{IN}$	12 mA

Typical response time	6 ms
Typical release time	10 ms
Operating voltage display	Yes
Name of protection	Damping diode, polarity protection
Protective circuit/component	Damping diode, polarity protection diode

#### Contact side

Contact type	Single contact, 1 N/O contact
Contact material	Silver cadmium oxide (AgCdO)
Maximum switching voltage	250 V AC/DC
Maximum inrush current	6 A
Limiting continuous current	6 A
Interrupting rating (ohmic load) max.	144 W (for 24 V DC)
	70 W (for 48 V DC)
	55 W (for 60 V DC)
	50 W (for 110 V DC)
	50 W (for 220 V DC)
	1500 VA (for 250 V AC)

#### General data

Width	22.5 mm
Height	79 mm
Depth	60 mm
Test voltage relay winding/relay contact	2.5 kV AC (50 Hz, 1 min)
Ambient temperature (operation)	-20 °C ... 55 °C
Operating mode	100% operating factor
Service life mechanical	Approx. $2 \times 10^7$ cycles
Standards/regulations	IEC 60664
	IEC 60664 A
	DIN VDE 0110
	DIN VDE 0109-11, draft
	DIN EN 50178/VDE 0160
	IEC 60255/DIN VDE 0435 (in relevant parts)
Pollution degree	2
Surge voltage category	III
Mounting position	Any
Assembly instructions	In rows with zero spacing

#### Connection data

Type of connection	Screw/plug-in connection
--------------------	--------------------------

#### Certificates / Approvals



Certification CUL, UL

#### Accessories

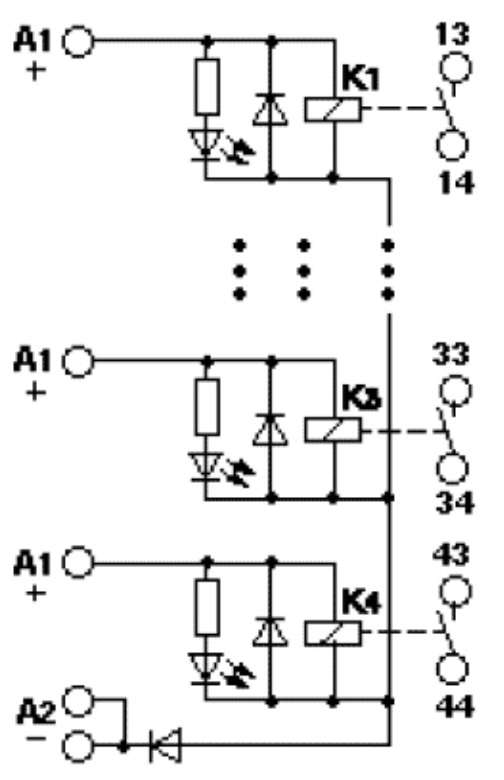
Item	Designation	Description
<b>General</b>		
1780329	FRONT-MSTB-SET/EMUG 22-4REL	COMBICON connection plug set, with front screw connection and plug-in direction parallel to conductor axis
1780235	MSTB-SET/EMUG 22- 4REL	COMBICON connection plug set, with plug-in direction parallel to conductor axis
1780264	MSTBP-SET/EMUG 22- 4REL	COMBICON connection plug set, with plug-in direction parallel to conductor axis, with an additional test connection for a 2.0 or 2.3 mm ø test plug
1780293	MVSTBR-SET/EMUG 22- 4REL	COMBICON connection plug set, with plug-in direction vertical to conductor axis

#### Marking

2947035	EMG-GKS 12	Equipment marker, width 12 mm
---------	------------	-------------------------------

Diagrams/Drawings

Circuit diagram



**Address**

PHOENIX CONTACT Deutschland GmbH  
Flachmarktstr. 8  
32825 Blomberg, Germany  
Phone +49 5235 3 12000  
Fax +49 5235 3 41200  
<http://www.phoenixcontact.de>



© 2010 Phoenix Contact  
Technical modifications reserved;