

## 7 W dual output offline flyback converter for home appliances using VIPer0P

Data brief



### Features

- Zero-power input consumption ratified as per IEC62301 Clause 4.5 ( $P_{IN\_ZPM} < 5 \text{ mW @ } 230 \text{ V}_{AC}$ )
- Negative output voltage easily set through the voltage divider
- Five-star energy efficiency when operating with no load ( $P_{IN\_no\_load} < 10 \text{ mW @ } 230 \text{ V}_{AC}$ )
- Meets ErP Lot 6 Tier 2 requirements for household and office equipment
- Meets European regulation 1275/2008 regarding eco-design requirements for standby and off-mode electric power consumption for household and office equipment
- Compliant with the ErP Lot 6 Tier 2 requirements in off-mode
- Compliant with the 10% load efficiency and 4-point average active-mode efficiency targets prescribed by the European CoC ver. 5 Tier 2
- Meets IEC55022 Class B conducted EMI even with reduced EMI filter, thanks to the frequency jittering feature
- VIPer0P 800 V avalanche rugged technology and its embedded protections ensure enhanced system reliability
- RoHS compliant

### Description

The key feature of this offline converter is Zero-Power Mode (ZPM). It is an idle state during which the device is totally shut down and the residual consumption from the mains @  $230 \text{ V}_{AC}$  is kept below  $10 \text{ mW}$ . The IC enters ZPM by pulling the OFF pin to SGND for more than  $10 \text{ ms}$  and exits ZPM (resuming normal switching) by pulling the ON pin to SGND for more than  $20 \mu\text{s}$ . This function can be tested by acting on the tactile switches connected to the ON and OFF pins.

The negative voltage setup is extremely simplified thanks to an embedded error amplifier, whose accurate  $1.2 \text{ V}$  internal reference (FB pin) is referred to a separate ground (EAGND pin) that can drift down to  $-12.5 \text{ V}$  with respect to the signal ground of the IC (SGND). The negative output (OUT1) is obtained by just connecting EAGND to the negative rail and a voltage divider between FB, EAGND and SGND. The positive output (OUT2) is obtained from OUT1 through the turn ratio of the secondary windings of the transformer.

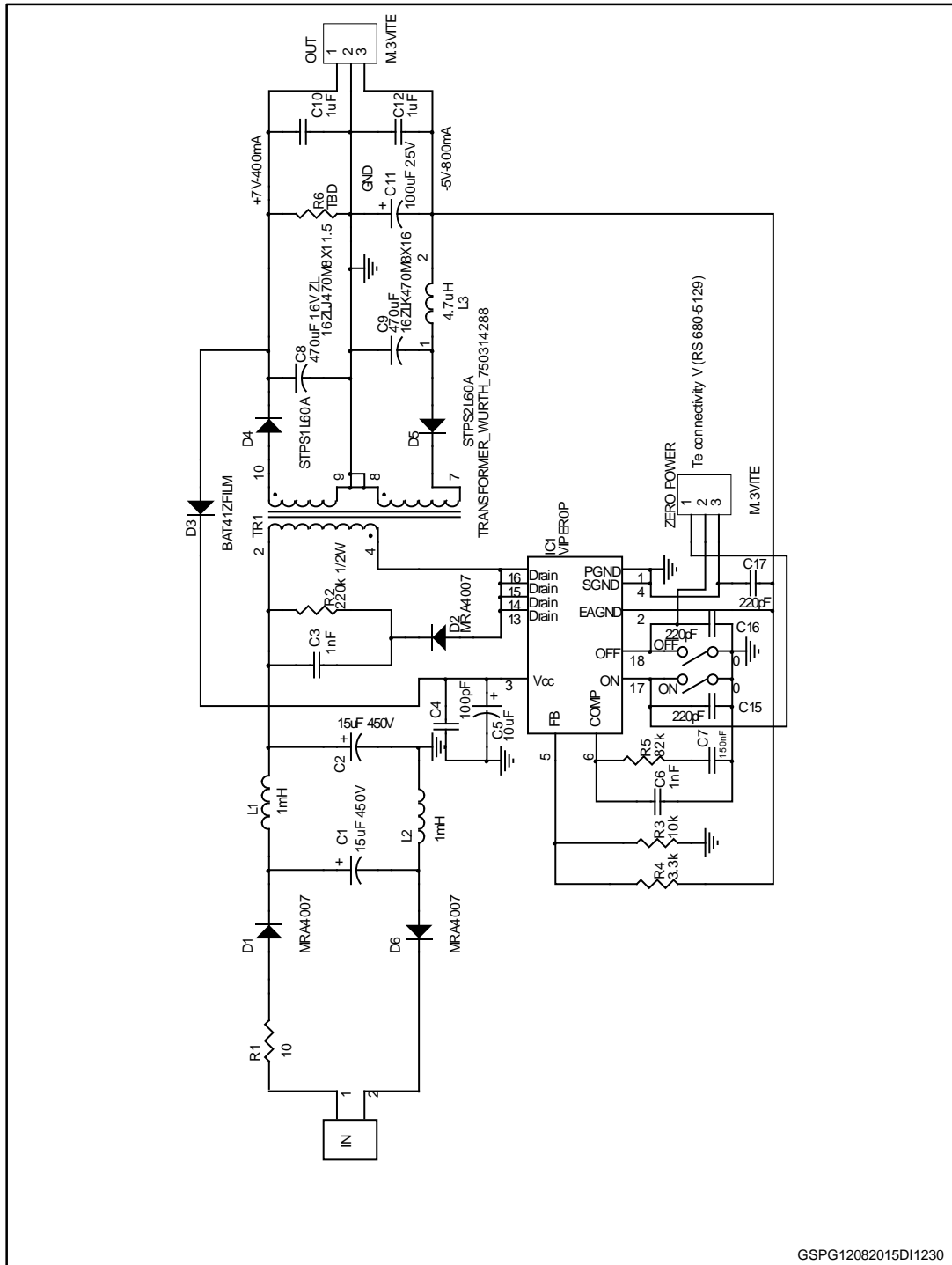
To achieve extremely low input power consumption, the IC is biased through a diode coming from the OUT2, which maintains the  $V_{CC}$  voltage high enough ( $> 4.5 \text{ V}$ ) to prevent the activation of the internal HV current source.

# 1 Specifications

- Topology: Flyback
- Isolation: no
- Input power consumption:
  - Less than 5 mW @ 230 V<sub>AC</sub> in Zero-Power Mode
  - Less than 10 mW @ 230 V<sub>AC</sub> in no-load condition
  - Less than 400 mW @ 230 V<sub>AC</sub> with 250 mW load
- Input Voltage: 85 - 265 V<sub>AC</sub>
- Output 1: -5 V , 840 mA
- Output 2: 7 V, 400 mA
- Frequency: 60 kHz with jittering ( $\pm 7\%$ )
- Max amb temp: 60 °C
- Automatic restart protections: OLP, VCC clamp, max duty cycle counter, thermal shutdown
- Pulse-skip protection to prevent the flux-runaway
- Dimensions: 69.6 mm x 28 mm

## 2 Schematic diagram

Figure 1: STEVAL-ISA174V1 circuit schematic



GSPG12082015DI1230

### 3 Revision history

Table 1: Document revision history

Date	Version	Changes
07-Aug-2015	1	Initial release.
10-Aug-2015	2	Added: Section Specifications.
20-Nov-2015	3	Updated title on the cover page.

**IMPORTANT NOTICE – PLEASE READ CAREFULLY**

STMicroelectronics NV and its subsidiaries ("ST") reserve the right to make changes, corrections, enhancements, modifications, and improvements to ST products and/or to this document at any time without notice. Purchasers should obtain the latest relevant information on ST products before placing orders. ST products are sold pursuant to ST's terms and conditions of sale in place at the time of order acknowledgement.

Purchasers are solely responsible for the choice, selection, and use of ST products and ST assumes no liability for application assistance or the design of Purchasers' products.

No license, express or implied, to any intellectual property right is granted by ST herein.

Resale of ST products with provisions different from the information set forth herein shall void any warranty granted by ST for such product.

ST and the ST logo are trademarks of ST. All other product or service names are the property of their respective owners.

Information in this document supersedes and replaces information previously supplied in any prior versions of this document.

© 2015 STMicroelectronics – All rights reserved