

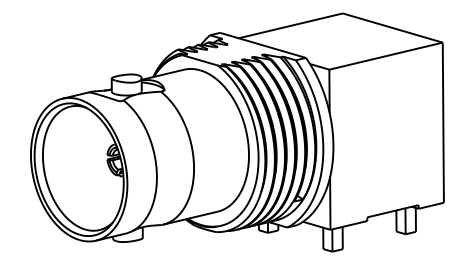
NOTES:

- MATERIALS AND FINISHES:  
 BODY - BRASS, MATTE TIN PLATING  
 SPANNER NUT, HEX NUT, CAP &  
 RETAINING RING - BRASS, NICKEL PLATING  
 LOCKWASHER - PHOSPHOR BRONZE, NICKEL PLATING  
 INSULATORS - PTFE, NATURAL  
 CONTACT - BeCu, GOLD PLATING  
 CONTACT REAR - BRASS, GOLD PLATING
- ELECTRICAL:  
 A. IMPEDANCE: 75 OHM  
 B. FREQUENCY RANGE: DC - 12 GHz
- BNC RA BHD JACK SHIPS WITH ONLY ONE KIND OF  
 THREADED NUT, ON CUSTOMER REQUEST.

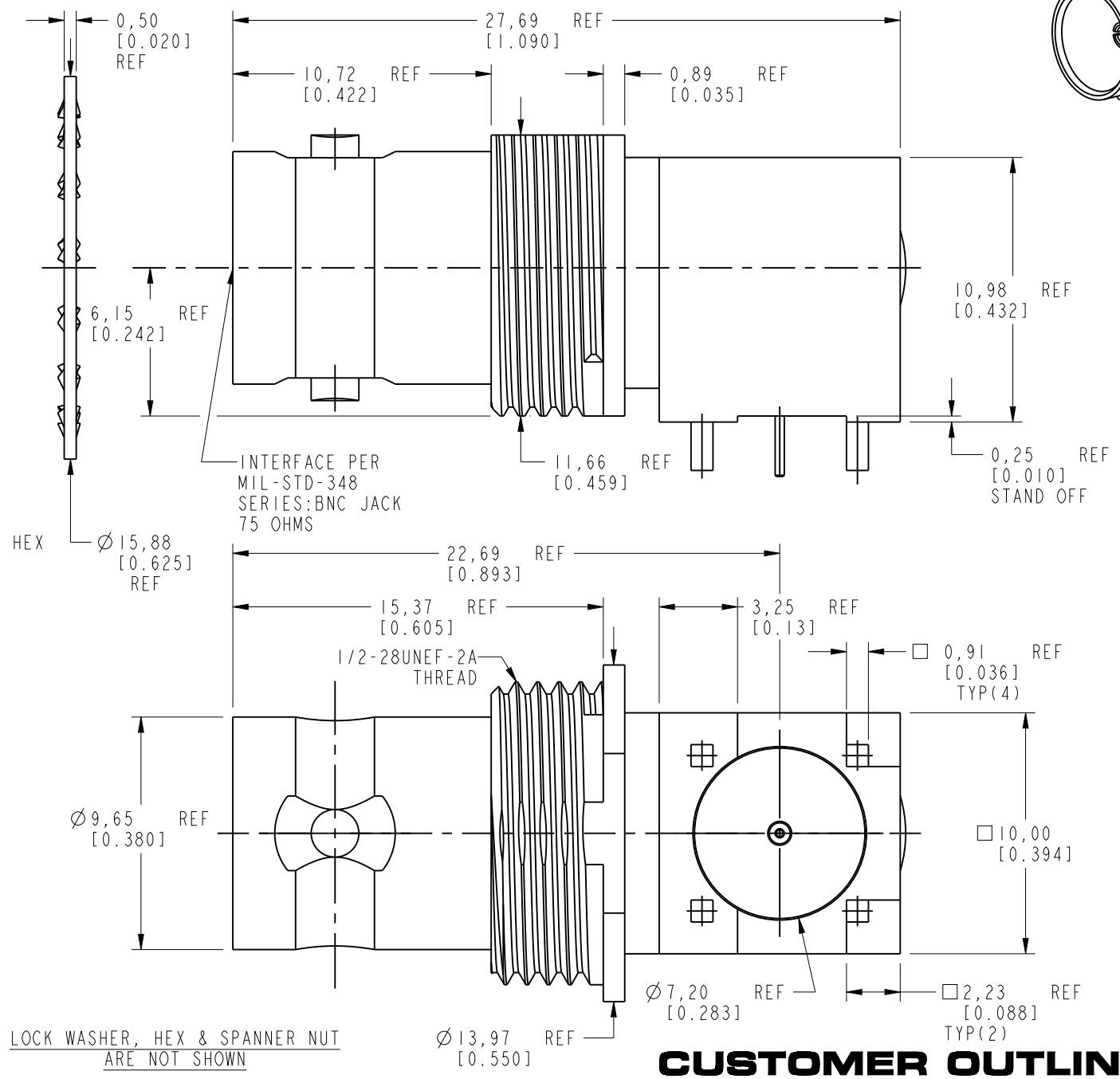
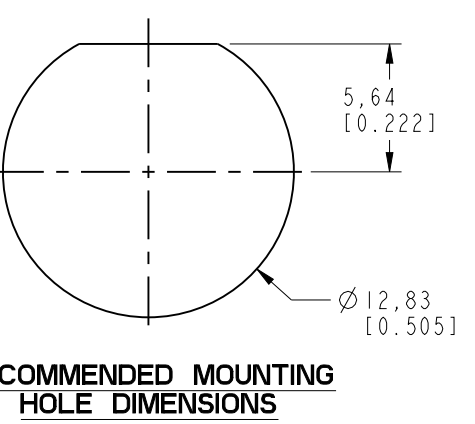
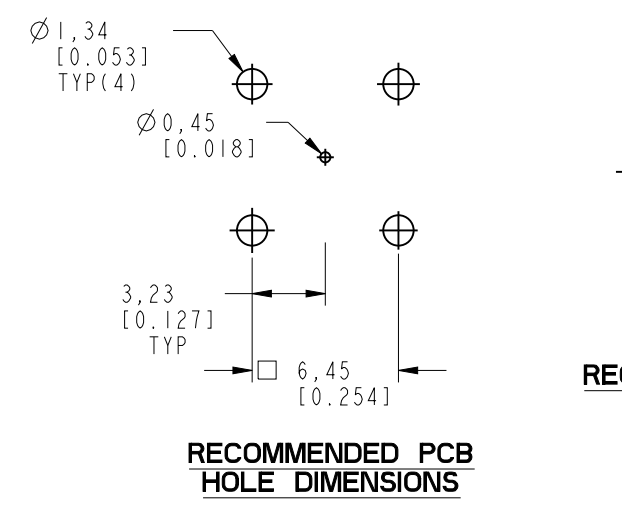
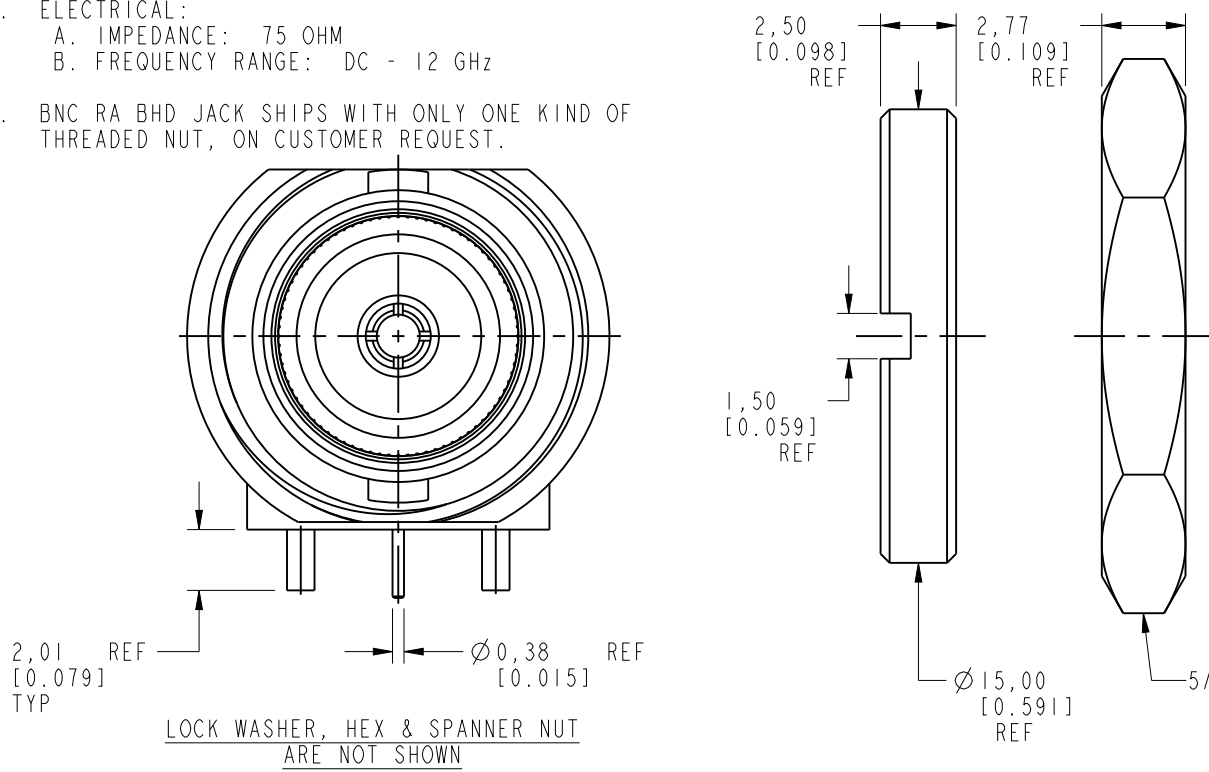
- MAX. PANEL THICKNESS : 1,52 [0.060] MAX.
- MECHANICAL:  
 A. DURABILITY: 500 CYCLES MIN.  
 B. TEMPERATURE RANGE: -65°C TO +165°C

THIRD ANGLE PROJ.

REV		DESCRIPTION	DATE	ECO	APPR
A		RELEASE TO MFG.	11-May-17	3743	BMG



SCALE 2.000



**CUSTOMER OUTLINE DRAWING**  
 ALL OTHER SHEETS ARE FOR INTERNAL USE ONLY

UNLESS OTHERWISE SPECIFIED, DIMENSIONS ARE IN METRIC AND TOLERANCES ARE:  
 <0.5mm ±0.05mm    0.5 - 6mm ±0.1mm    6 - 30mm ±0.2mm    30 - 120mm ±0.3mm    ANGLES ±1°

NOTICE - These drawings, specifications, or other data (1) are, and remain the property of Amphenol corp. (2) must be returned upon request; and (3) are confidential and not to be disclosed to any person other than those to whom they are given by Amphenol Corp. the furnishing of these drawings, specifications, or other data by Amphenol Corp., or to any other person to anyone for any purpose is not to be regarded by implication or otherwise in any manner licensing, granting rights to permitting such holder or any other person to manufacture, use or sell any product, process or design, patented or otherwise, that may in any way be related to or disclosed by said drawings, specifications, or other data.

MATERIAL SEE NOTES	DRAWN MADHAN G	DATE 02-Dec-16	TITLE 75 OHM BNC RA BHD JACK PCB MOUNT	Amphenol RF www.amphenolrf.com
EAR# 7476	ENGINEER MADHAN G	DATE 02-Dec-16	SCALE: 4.0:1.0   SHEET 2 OF 2	
EXP#	APPROVED K. CAPOZZI	DATE 11-May-17	DWG SIZE B	DRAWING NO. 31-70535-12G
CONFIGURATION LEVEL: In Work	CAD FILE		REV A	ITEM NO. 31-70535-12G
FINISH				PART NO. 31-70535-12G