

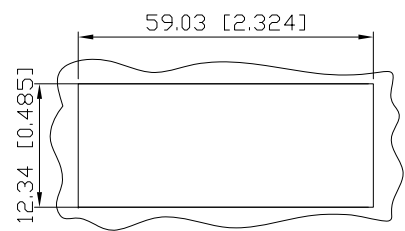
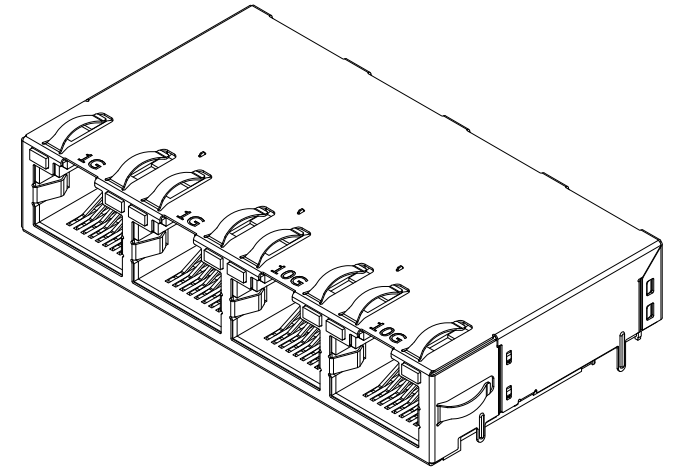
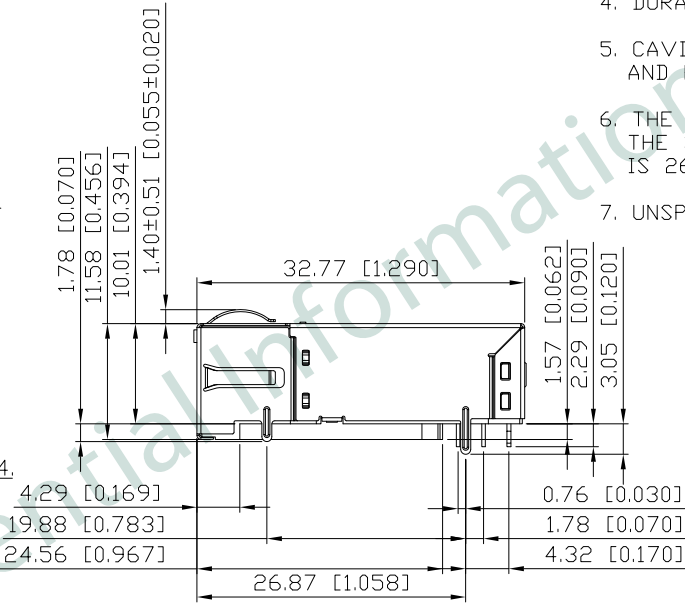
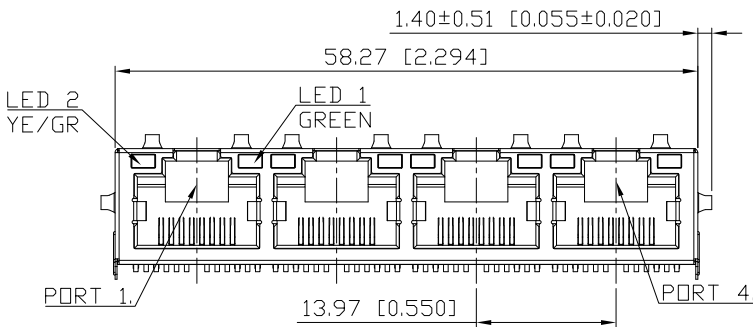
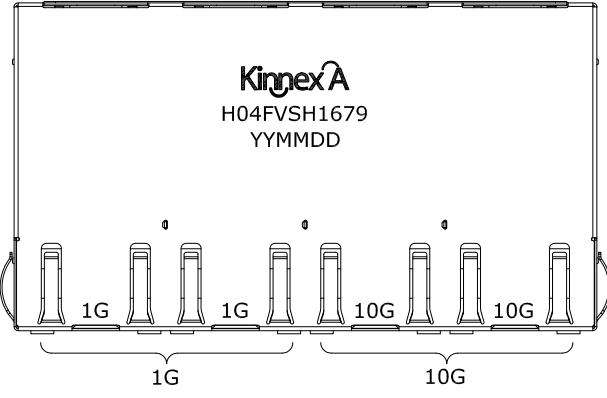
1. MECHANICAL DIMENSIONS :

REV.	DATE	DESCRIPTION
01	Jun. 26, '19	1st RELEASE

NOTES:

- MATERIAL:
HOUSING: HIGH THERMOPLASTIC, UL94V-0, BLACK
CONTACTS: PHOS-BRONZE,
50u" GOLD PLATING ON CONTACT AREA,
NICKEL UNDERPLATING OVERALL
SHIELD: COPPER ALLOY, NICKEL PLATING
- OPERATING TEMPERATURE: 0°C~+70°C
- MATING FORCE: 4 POUNDS MAX.
UNMATING FORCE: 4 POUNDS MAX.
- DURABILITY: 750 MATING CYCLED MIN.
- CAVITY CONFORMS TO FCC RULES
AND REGULATIONS PART 68, SUBPART F.
- THE PART IS RECOMMENDED FOR WAVE SOLDERING,
THE SUGGESTED PEAK WAVE SOLDERING CONDITION
IS 260°C MAX. AND 10 SECONDS MAX.
- UNSPECIFIED TOLERANCE: .XX ±0.25[0.010]
.X ±0.30[0.012]

Halogen Free
RoHS Compliant



RECOMMENDED
PANEL CUTOUT DIMENSION
SCALE 1:2

PART NO		KRH-04F-V-SH1-679-XXX		
TITLE	RJ45 1X4, W/1G & 10G TRANSFORMER, W/LED, SHIELDED, HYBRID.			
REV : 01				
UNIT	DRAWN	CHKD	DATE	SHEET
mm[inch]	CINDY	VINCENT	Jun. 26, '19	1 of 7

2. PCB LAYOUT :

A

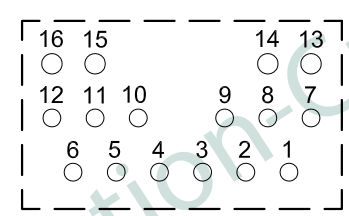
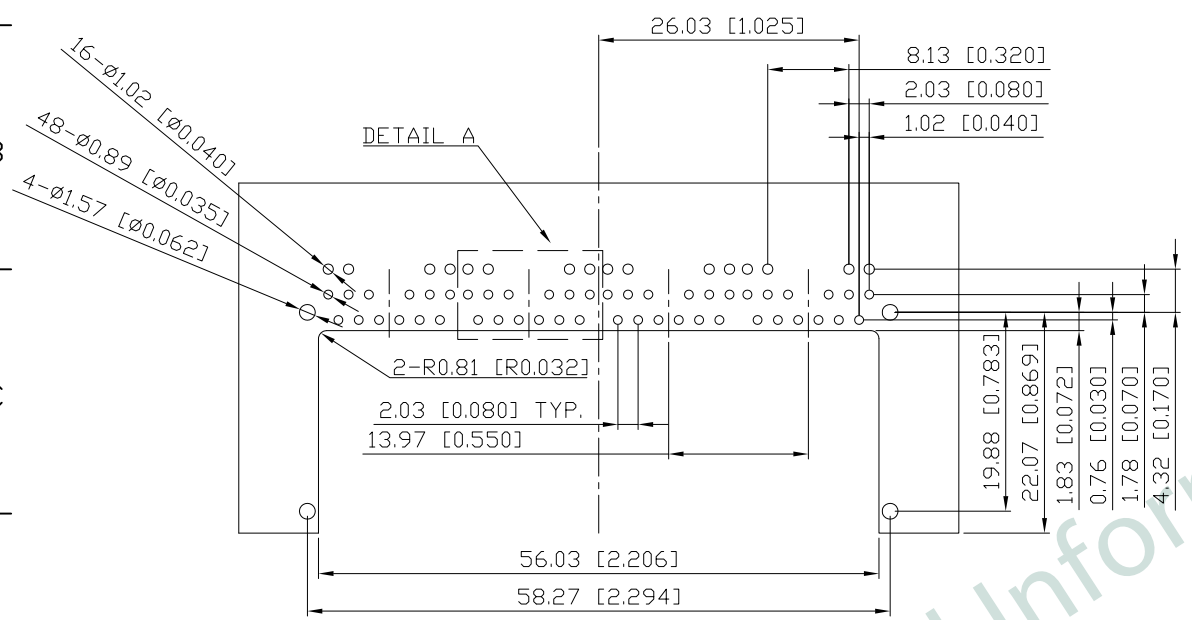
B

C

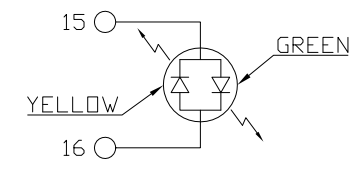
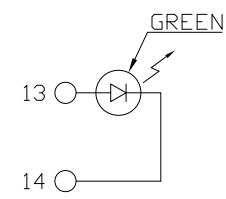
D

E

F



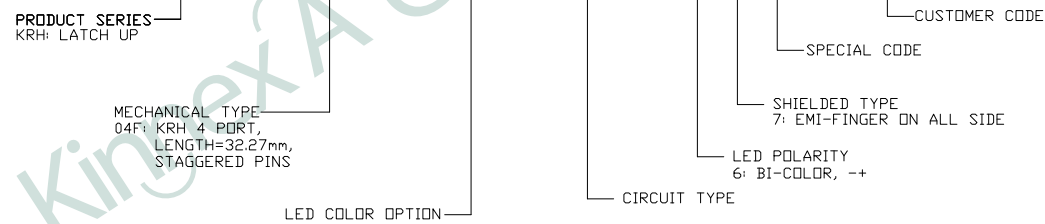
P#	DEFINITION
P1	CT
P2	MD(1)-
P3	MD(1)+
P4	MD(2)+
P5	MD(2)-
P6	CT
P7	CT
P8	MD(0)+
P9	MD(0)-
P10	MD(3)-
P11	MD(3)+
P12	CT
P13	RIGHT GR+
P14	RIGHT GR-
P15	LEFT GR+
P16	LEFT YE+



SUGGESTED PCB LAYOUT
TOP VIEW
DIMENSIONAL TOLERANCE: .XX ±0.08[0.003]

COLOR	VF(V) @20mA		IV(mcd) @20mA	IF(mA)	PEAK WAVE LENGTH λP(nm) @20mA
	TYP	MAX	TYP	TYP	TYP
GREEN	2.4	2.8	30	30	525
YELLOW	2.1	2.8	20	30	585
GREEN	2.4	2.8	30	30	525

KRH-04F-V-SH1-679-XXX



PART NO		KRH-04F-V-SH1-679-XXX		
TITLE	RJ45 1X4, W/1G & 10G TRANSFORMER, W/LED, SHIELDED, HYBRID.			
REV : 01				
UNIT	DRAWN	CHKD	DATE	SHEET
mm[inch]	CINDY	VINCENT	Jun. 26, '19	2 of 7

DWG NO KRH-04F-V-SH1-679-XXX

KinnexA, INC. 8F, No. 172, CHENG TEH ROAD SEC. 4, TAIPEI 11167, TAIWAN

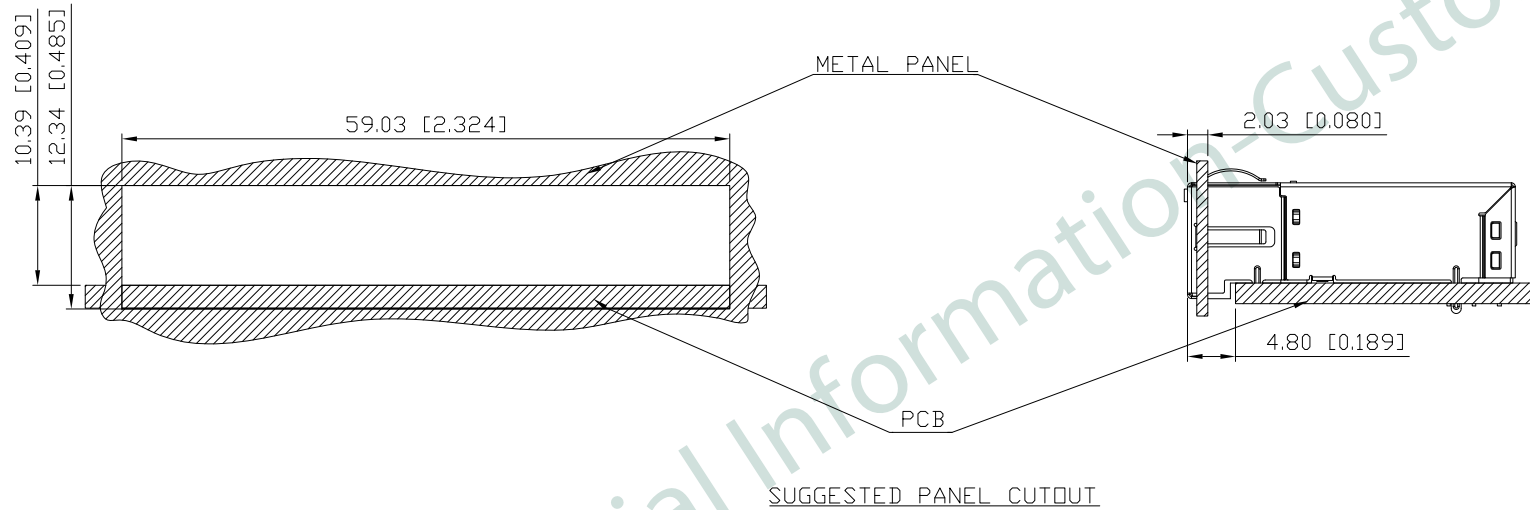
PRELIMINARY RELEASE SUBJECT TO CHANGE

※ THIS DRAWING IS A CONTROLLED DOCUMENT ※




Halogen Free
RoHS Compliant

3. PANEL CUTOUT:



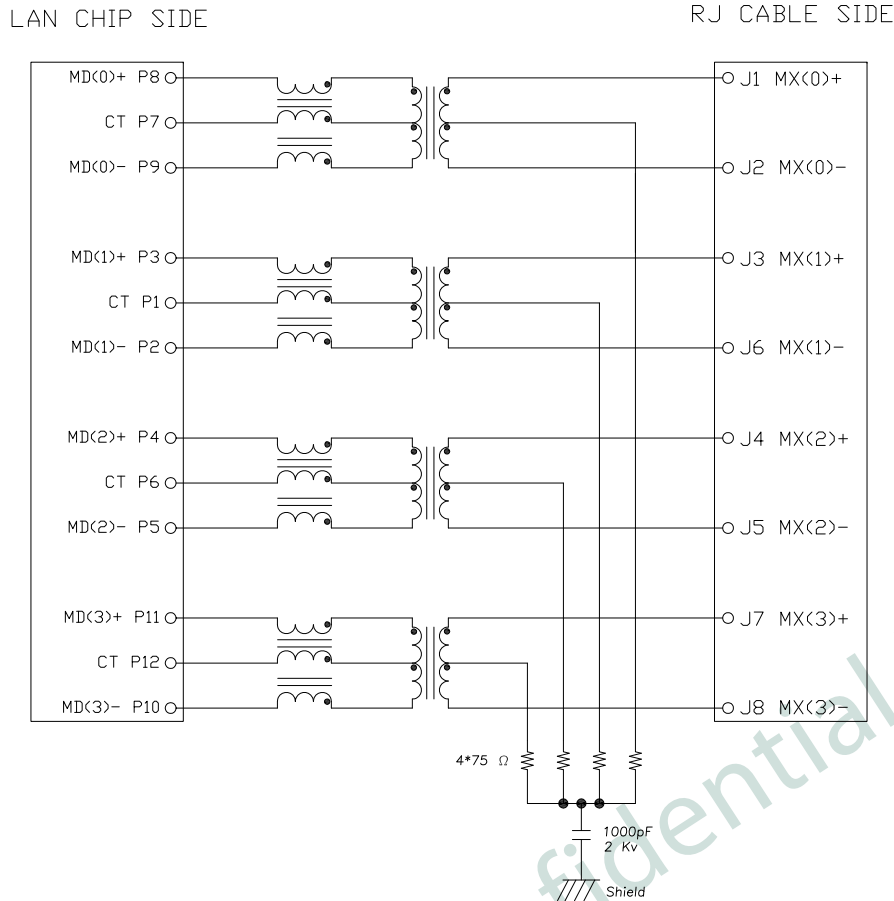
Halogen Free
RoHS Compliant

DIMENSIONS ARE IN INCHES [MILLIMETERS] WITH THE FOLLOWING TOLERANCES: [MILLIMETERS] ARE FOR REFERENCE ONLY.
.XXX= ±.010 [±0.25]

 PART NO KRH-04F-V-SH1-679-XXX				
TITLE	RJ45 1X4, W/1G & 10G TRANSFORMER, W/LED, SHIELDED, HYBRID.			
REV : 01				
UNIT	DRAWN	CHKD	DATE	SHEET
mm[inch]	CINDY	VINCENT	Jun. 26, '19	3 of 7

4.1 SCHEMATIC (1G): PORT 1. & 2.

5.1 ELECTRICAL CHARACTERISTICS (1G):



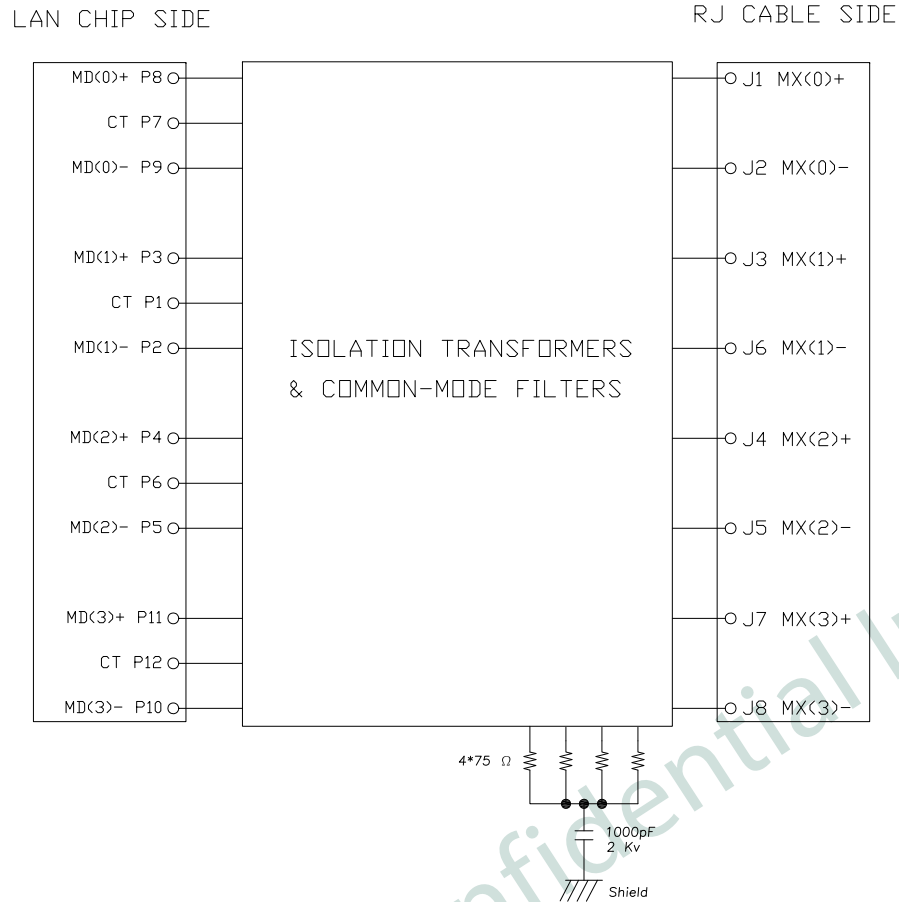
TEST NOTES:(25±5°C)

1. TR:
INPUT TO OUTPUT=1:1±3%
2. OCL: <100KHz, 100mV, 8mA, DC Bias>
250uH MINIMUM
3. DCR:
EVERY RJ PAIR=1.2 Ω MAXIMUM
4. INSERTION LOSS:
-0.8dB MAXIMUM AT 0.3MHZ TO 100MHZ
-1.2dB MAXIMUM AT 100MHZ TO 125MHZ
5. RETURN LOSS:
-20dB MINIMUM AT 1MHZ TO 30MHZ
-16dB MINIMUM AT 30MHZ TO 60MHZ
-12dB MINIMUM AT 60MHZ TO 100MHZ
6. CROSS TALK:
-40dB MINIMUM AT 1MHZ TO 10MHZ
-35dB MINIMUM AT 30MHZ TO 60MHZ
-30dB MINIMUM AT 60MHZ TO 100MHZ
7. CM TO CM MODE REJECTION:
-30dB MINIMUM AT 300KHz TO 100MHZ
8. HIPOT:
INPUT<RJ SIDE> TO OUTPUT<LAN SIDE>:
1500 VAC/60SEC

Halogen Free
RoHS Compliant

PART NO KRH-04F-V-SH1-679-XXX				
TITLE	RJ45 1X4, W/1G & 10G TRANSFORMER, W/LED, SHIELDED, HYBRID.			
REV : 01				
UNIT	DRAWN	CHKD	DATE	SHEET
mm[inch]	CINDY	VINCENT	Jun. 26, '19	4 of 7

4.2 SCHEMATIC (10G): PORT 3. & 4.



5.2 ELECTRICAL CHARACTERISTICS (10G):

TEST NOTES:(25*±5°C)

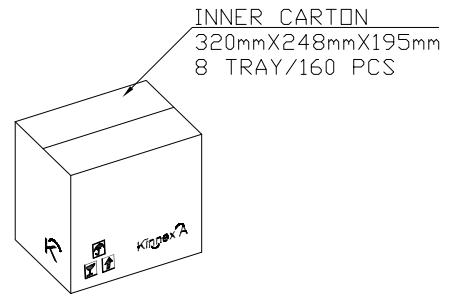
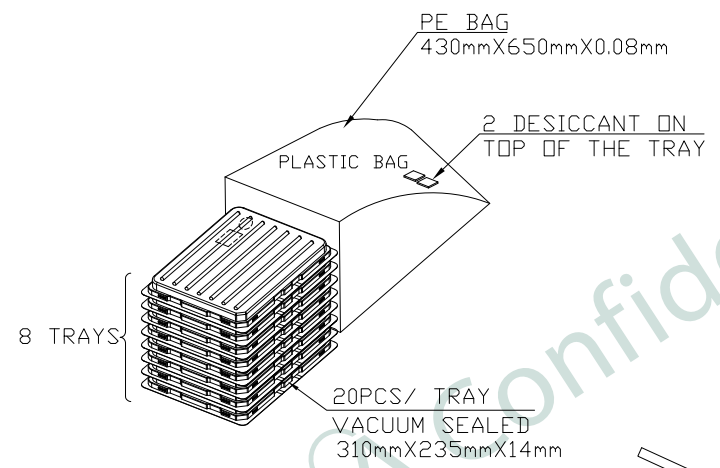
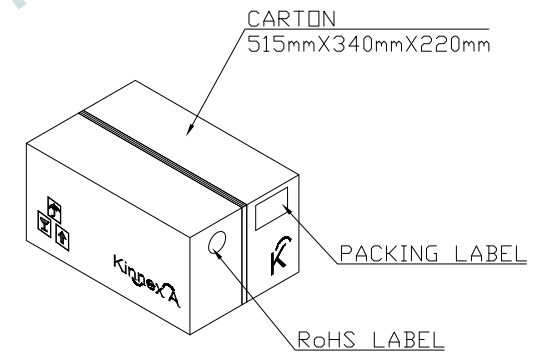
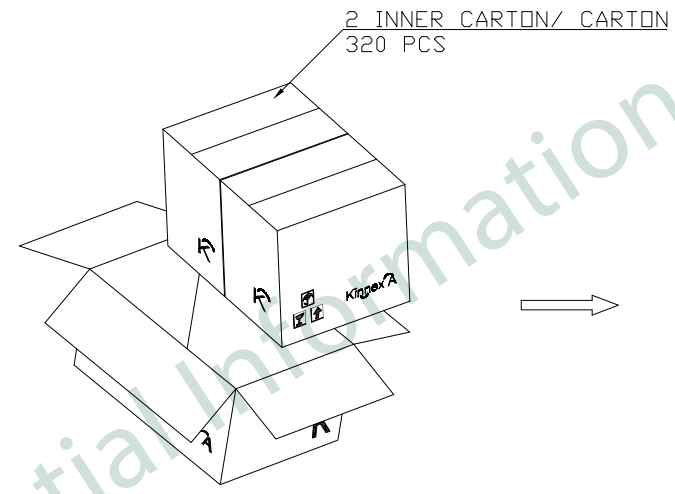
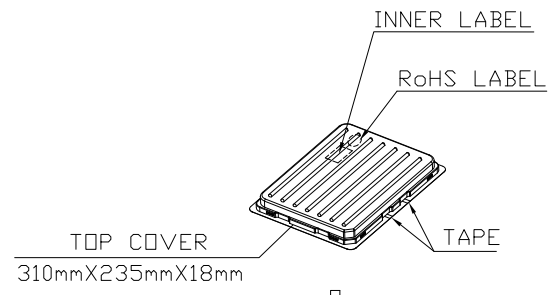
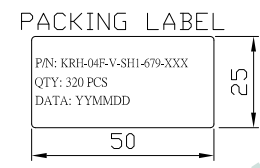
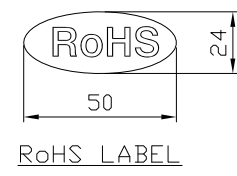
1. TR:
INPUT TO OUTPUT=1:1±3%
2. OCL: (100KHz, 100mV, 8mA, DC Bias)
120uH MINIMUM
3. DCR:
EVERY RJ PAIR=1.2 Ω MAXIMUM
4. INSERTION LOSS:
-0.6dB MAXIMUM AT 1MHz TO 100MHz
-1.0dB MAXIMUM AT 100MHz TO 200MHz
-1.5dB MAXIMUM AT 200MHz TO 300MHz
-2.0dB MAXIMUM AT 300MHz TO 400MHz
5. RETURN LOSS:
-20dB MINIMUM AT 1MHz TO 100MHz
-17dB MINIMUM AT 100MHz TO 200MHz
-14dB MINIMUM AT 200MHz TO 300MHz
-13dB MINIMUM AT 300MHz TO 400MHz
-12dB MINIMUM AT 400MHz TO 500MHz
6. CROSS TALK:
-25dB MINIMUM AT 1MHz TO 500MHz
7. CM TO CM REJECTION:
-22dB MINIMUM AT 1MHz TO 100MHz
-21dB MINIMUM AT 100MHz TO 300MHz
-20dB MINIMUM AT 300MHz TO 800MHz
8. HIPOT:
INPUT(RJ SIDE) TO OUTPUT(LAN SIDE)
1500VAC FOR 60 SECONDS

Halogen Free
RoHS Compliant

PART NO		KRH-04F-V-SH1-679-XXX		
TITLE	RJ45 1X4, W/1G & 10G TRANSFORMER, W/LED, SHIELDED, HYBRID.			
REV : 01				
UNIT	DRAWN	CHKD	DATE	SHEET
mm[inch]	CINDY	VINCENT	Jun. 26, '19	5 of 7

6. PACKING SPECIFICATION:

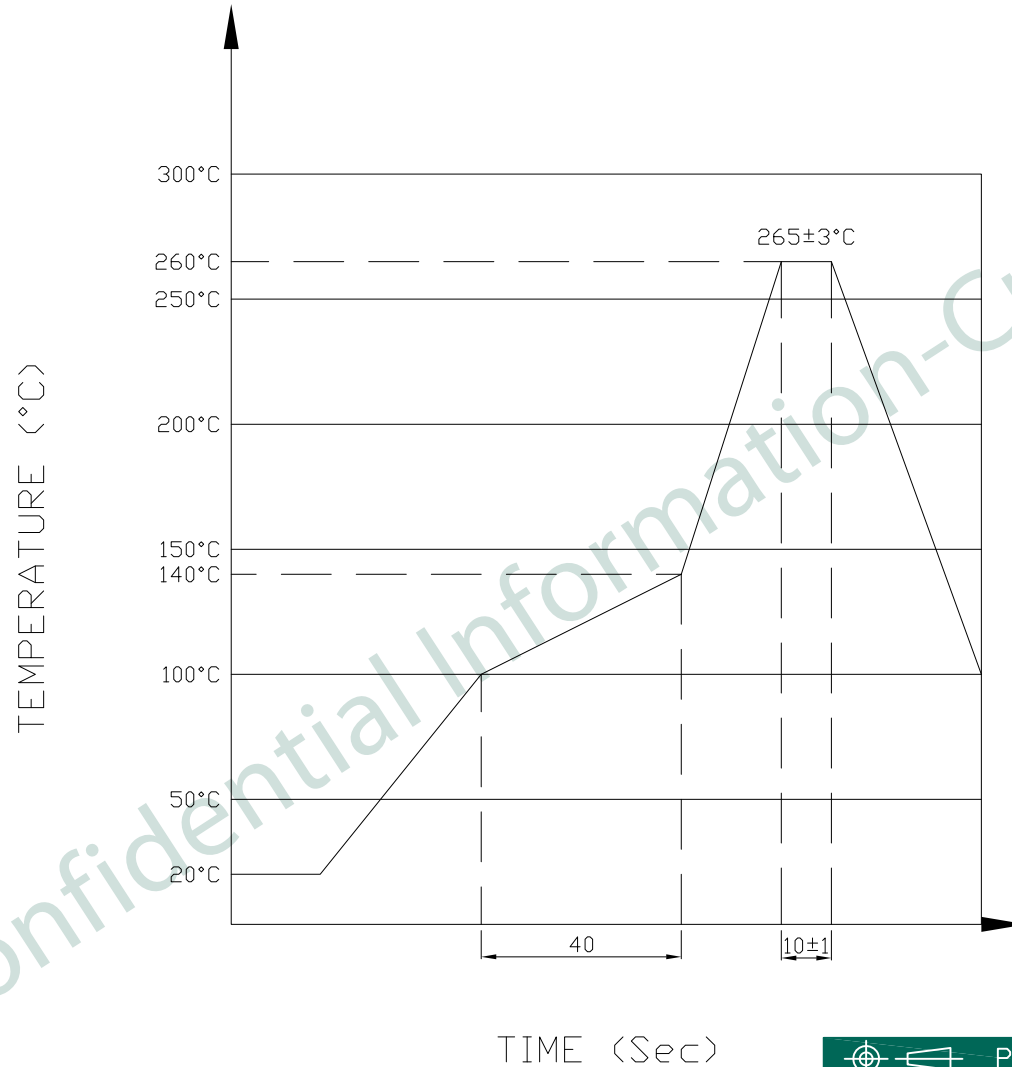
A
B
C
D
E
F



PART NO		KRH-04F-V-SH1-679-XXX		
TITLE	RJ45 1X4, W/1G & 10G TRANSFORMER, W/LED, SHIELDED, HYBRID.			
REV : 01				
UNIT	DRAWN	CHKD	DATE	SHEET
mm[inch]	CINDY	VINCENT	Jun. 26, '19	6 of 7

Halogen Free
RoHS Compliant

7. PROFILE OF WAVE SOLDER:



The measuring point for the specified temperature shall be on the soldered part of the lead

PART NO KRH-04F-V-SH1-679-XXX				
TITLE	RJ45 1X4, W/1G & 10G TRANSFORMER, W/LED, SHIELDED, HYBRID.			
REV : 01				
UNIT	DRAWN	CHKD	DATE	SHEET
mm[inch]	CINDY	VINCENT	Jun. 26, '19	7 of 7