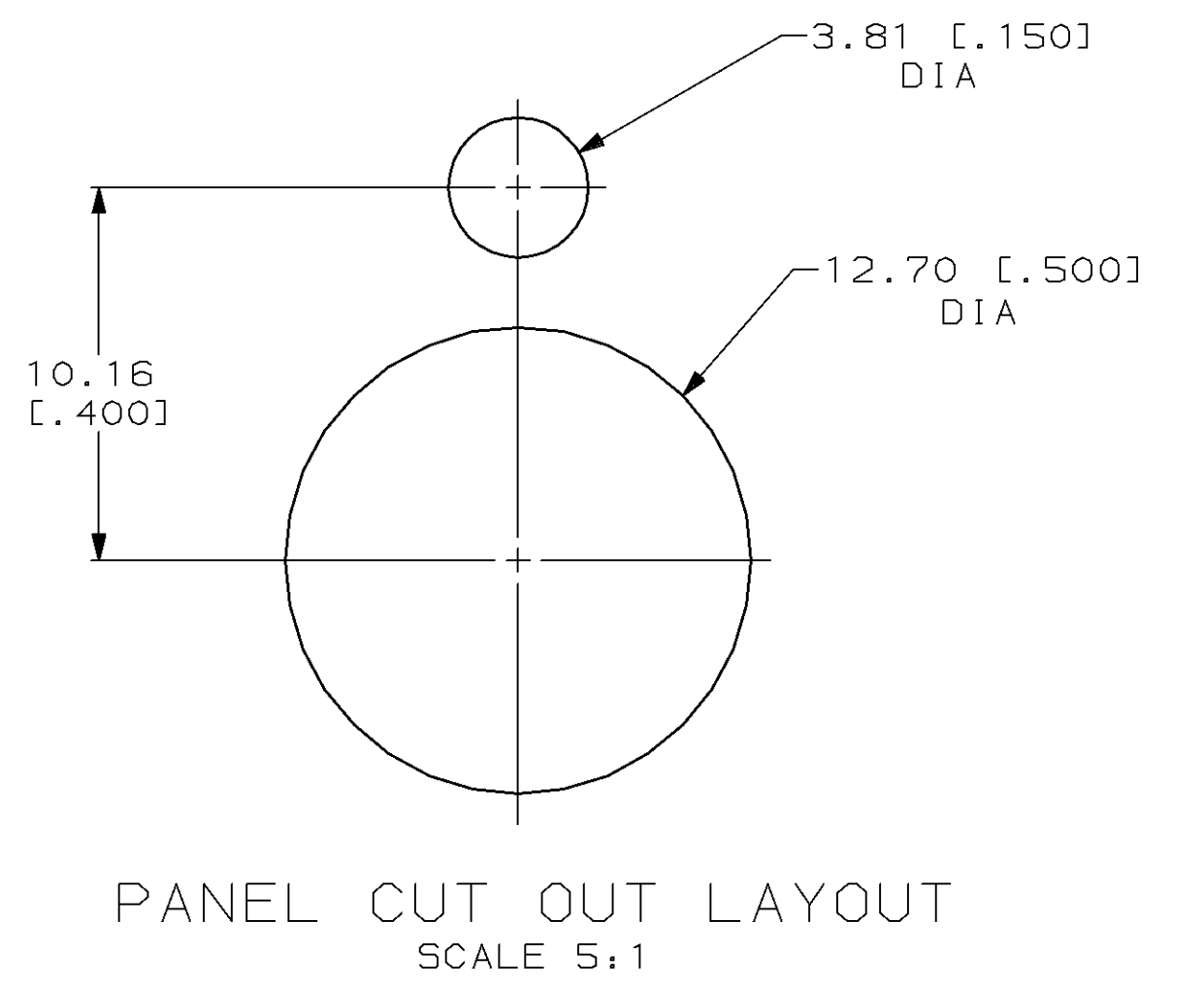
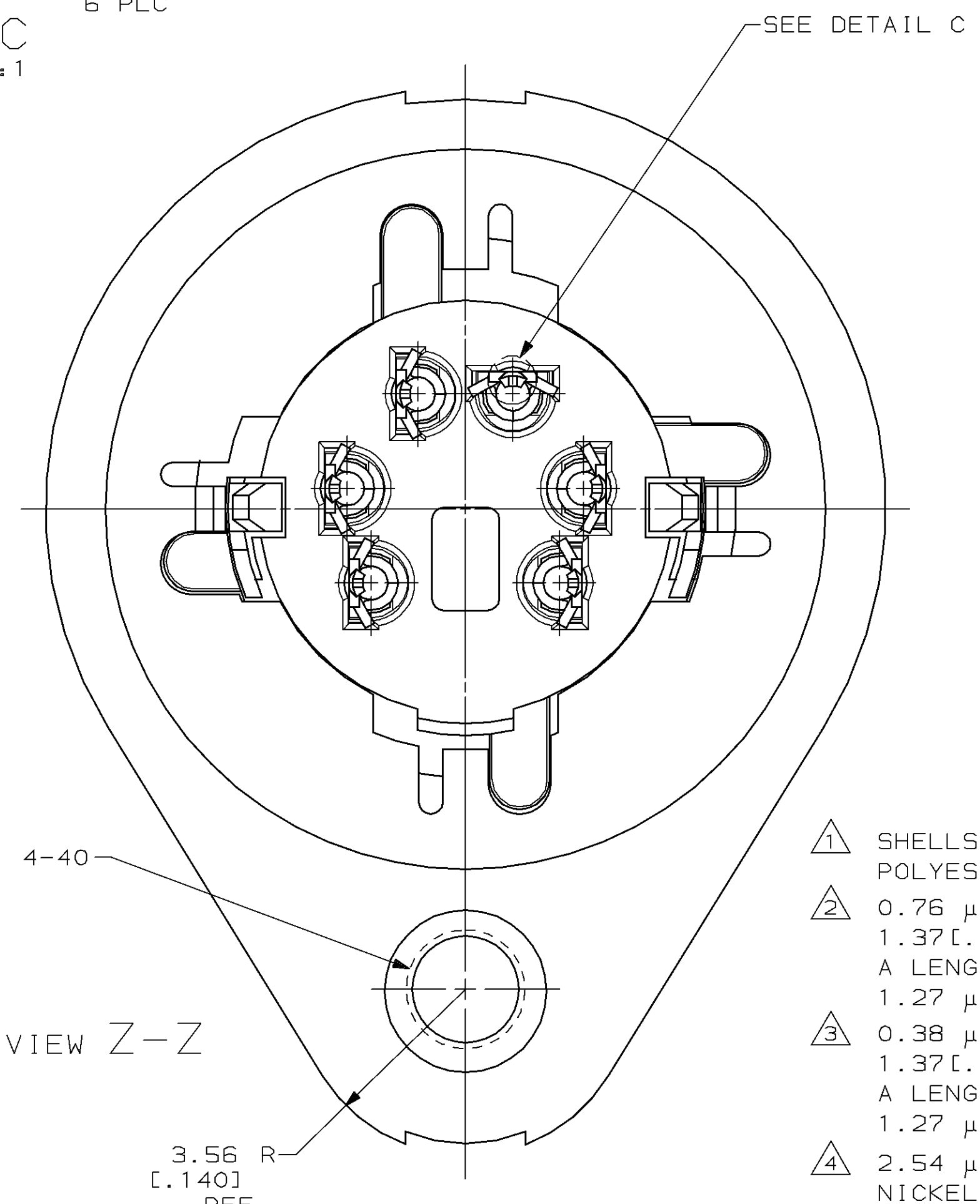
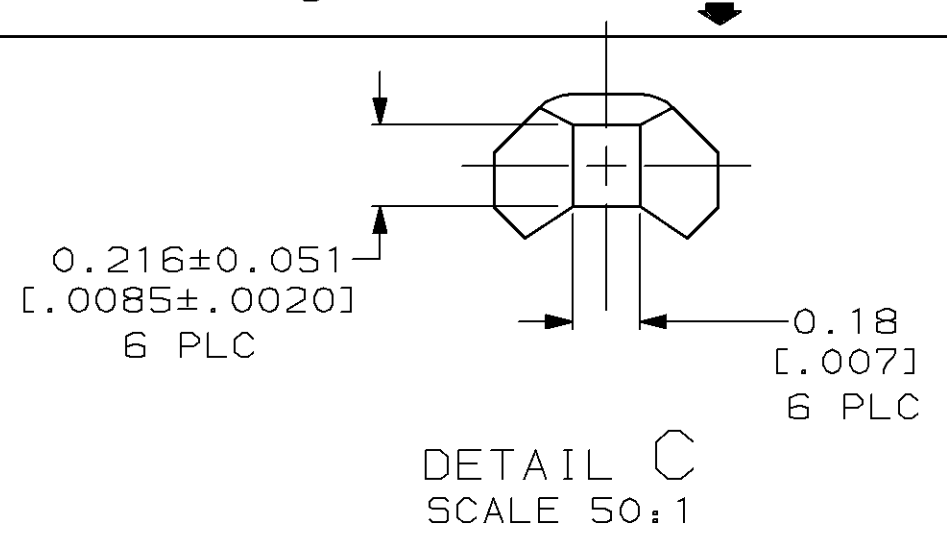
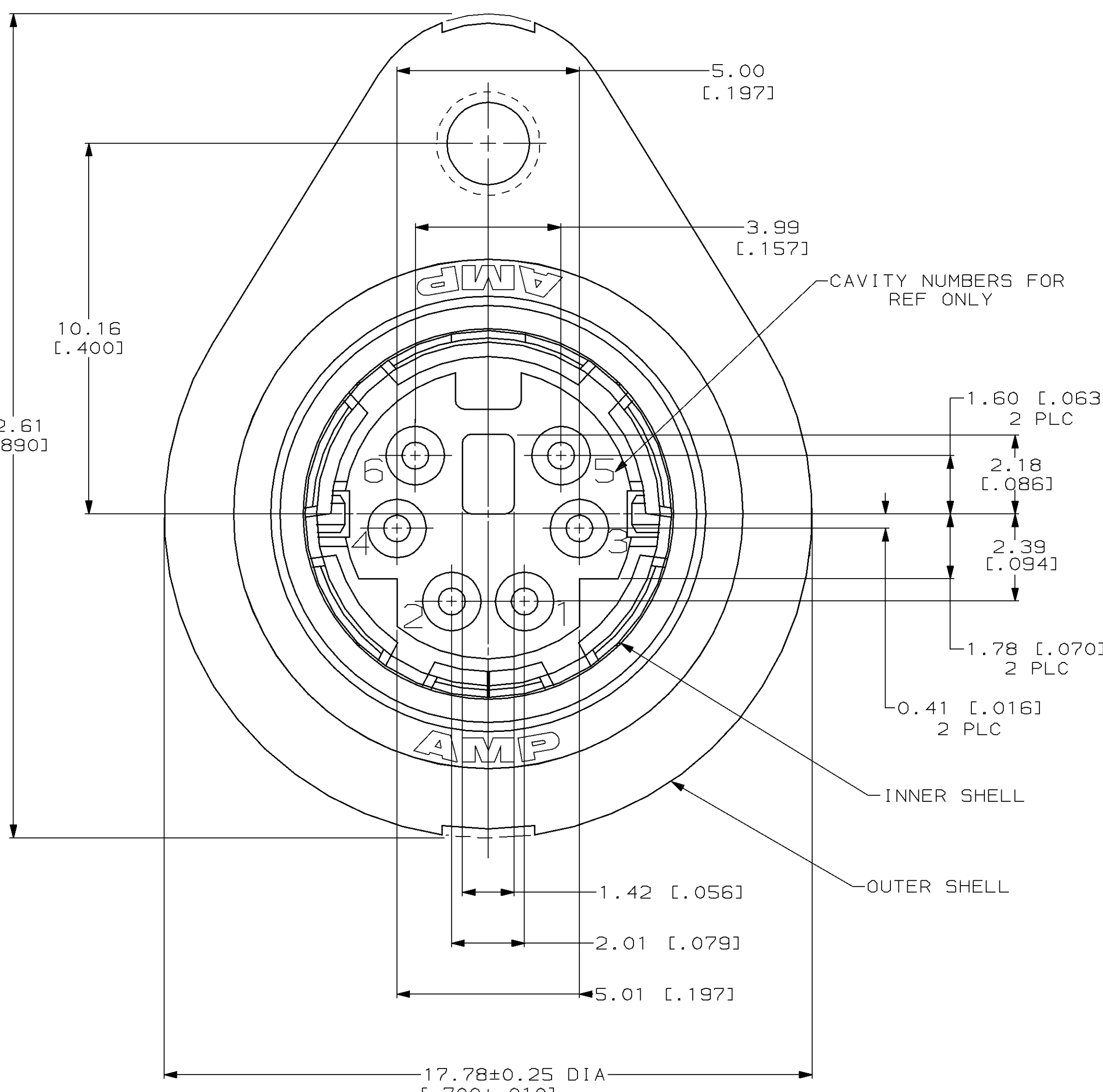
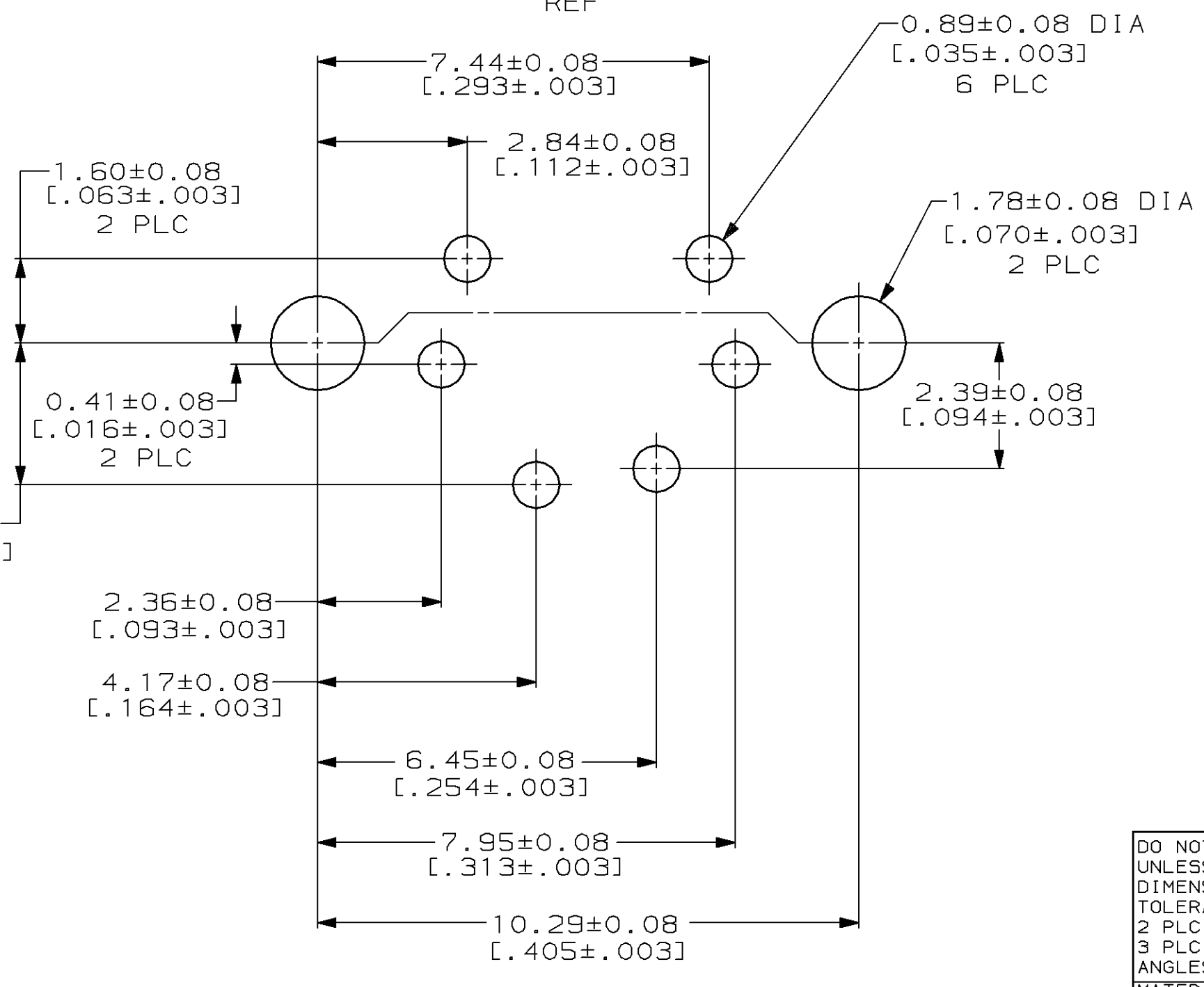
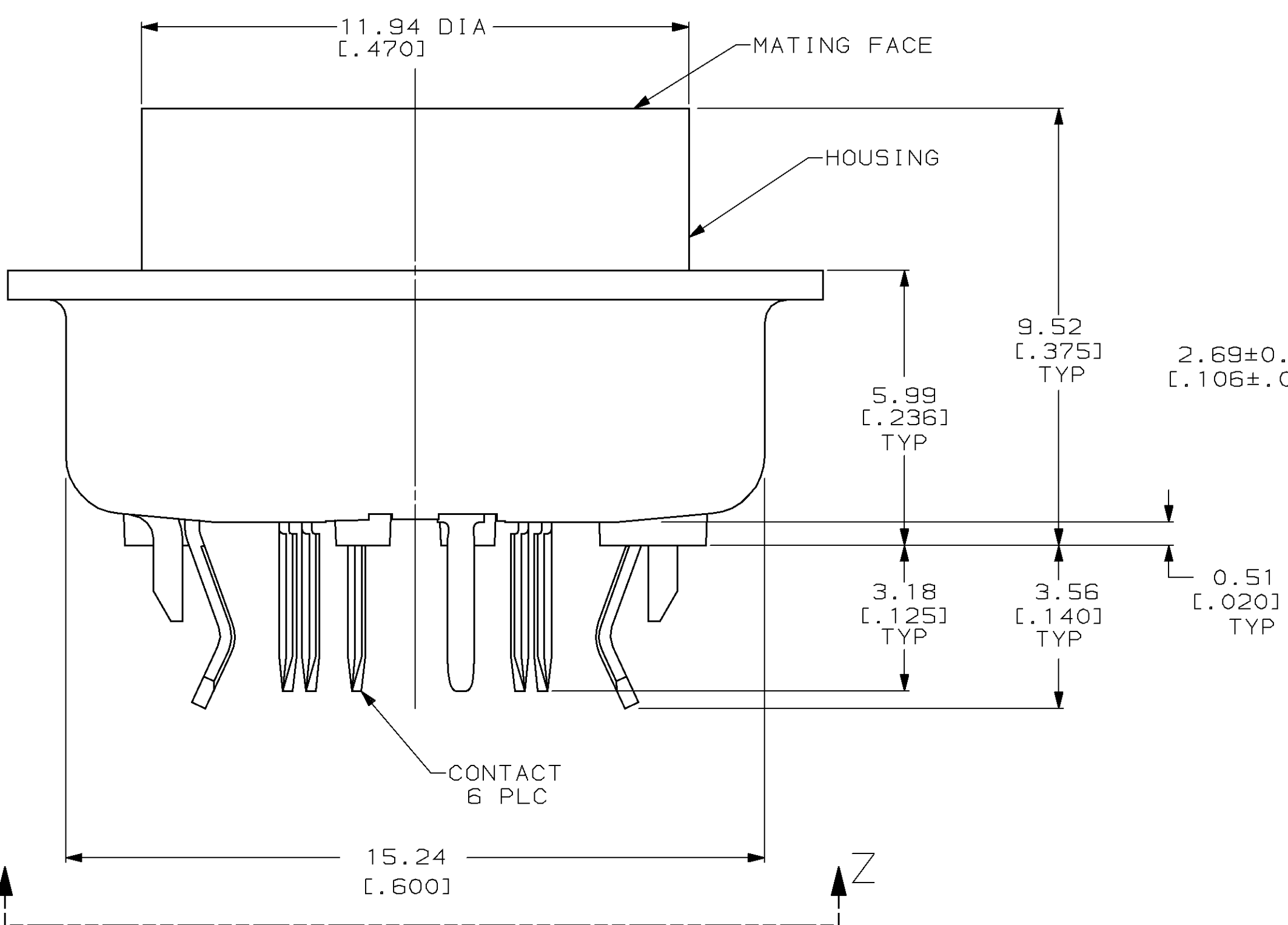


LOC		DIST		P		ZONE		LTR		REVISIONS		
BD	26									DESCRIPTION	DATE	APPD
										RLSE PER NPR 3410	4-1-91	-
										WAS 91-4264-2-1 & -2		
										REVISED PER ECN BD5094	08/21/91	-
										REVISED PER ECN BD5035	09/20/91	RW
										REVISED PER ECN BD5992	02/28/92	JS
										OBS -1 PER EC 0020-1537-93	09/31/94	RB



- 1 SHELLS: BRASS; CONTACTS: PHOSPHOR BRONZE; HOUSING: POLYESTER, UL 94V-0 RATED, BLACK.
- 2 0.76 μm [.000030] MIN GOLD ON MATING END FOR A LENGTH OF 1.37 [.054] MIN ON INSIDE, 2.54 μm [.000100] MIN TIN-LEAD FOR A LENGTH OF 3.30 [.130] MIN FROM OPPOSITE END, ALL OVER 1.27 μm [.000050] MIN NICKEL.
- 3 0.38 μm [.000015] MIN GOLD ON MATING END FOR A LENGTH OF 1.37 [.054] MIN ON INSIDE, 2.54 μm [.000100] MIN TIN-LEAD FOR A LENGTH OF 3.30 [.130] MIN FROM OPPOSITE END, ALL OVER 1.27 μm [.000050] MIN NICKEL.
- 4 2.54 μm [.000100] MIN TIN-LEAD OVER 1.27 μm [.000050] MIN NICKEL.
- 5 GOLD PLATING PER MIL-G-45204, TIN PLATING PER MIL-T-10727, NICKEL PLATING PER QQ-N-290, COPPER PLATING PER MIL-C-14550.
- 6. RECEPTACLE ASSEMBLY MATES WITH 6 PIN, 8.99±0.10 [.354±.004] DIAMETER PLUG.
- 7 3.81 μm [.000150] MIN TIN-LEAD OVER 2.54 μm [.000100] MIN COPPER.



OBsolete	750730-2
CONTACT FINISH	750730-1
	PART NUMBER

DO NOT SCALE PRINT. UNLESS SPECIFIED DIMENSIONS IN mm [INCHES]		DR 4-1-91 H MOLL		<b>AMP</b> AMP INCORPORATED Harrisburg, Pa. 17105 NAME RECEPTACLE ASSEMBLY, 6 POSITION, LOW FLANGE, 12 O'CLOCK LOBE, SHIELDED, VERTICAL MOUNT, MINIATURE CIRCULAR DIN SIZE <b>D</b> 00779 CAGE CODE 00779 DRAWING NO 750730 SCALE 10:1 SHEET 1 OF 1	
TOLERANCES ON:		CHK 4-4-91 R. STONE			
2 PLC DEC ± 0.13 [.005]		APPD 4-5-91 R. WHYNE			
3 PLC DEC ± -		APPD 4-5-91 J. FULPONI			
ANGLES ± -		PRODUCT SPEC -			
FINISH: CONTACTS: SEE TABLE		APPLICATION SPEC -			
INNER SHELL: △					
OUTER SHELL: △					