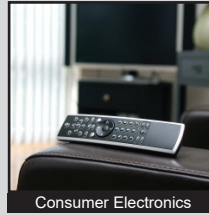


PMV6 SERIES ANTI-VANDAL SWITCH

ANTI-VANDAL SWITCHES
 DETECTOR SWITCHES
 DIP SWITCHES
 KEYLOCK SWITCHES
 NAVIGATION SWITCHES
 PUSHBUTTON SWITCHES
 ROCKER SWITCHES
 ROTARY SWITCHES
 SLIDE SWITCHES
 SNAP ACTION SWITCHES
 TACTILE SWITCHES
 TOGGLE SWITCHES
 CAP OPTIONS



APPLICATIONS / MARKETS



RoHS

SPECIFICATIONS

Electrical Rating: 2A, 24VDC
Electrical Life: 10,000 Cycles
Contact Resistance: 100mΩ Max. @1A/12VDC(Initial Value)
Insulation Resistance: 100 MΩ Min. @ 500VDC
Dielectric Strength: 500Vrms @ sea level
Operating Temperature: -20°C to 65°C
Travel: 1.5mm
Moisture Protection: IP67
Contact Arrangement: SPST On-(On)
 SPST Off-(On)
 SPST On-(Off)
Actuation Force: 7N ±2N
Panel Thickness: 1-7mm
Mounting Nut Torque: 0.5-1Nm Max.

FEATURES & BENEFITS

- 16mm panel cutout
- UL3385 20AWG pre-stripped and tinned wire leads
- Multiple Cap Colors
- 10,000 Cycle Electrical Life
- Crisp tactile response
- IP67 rated

PART NUMBER CONFIGURATOR

Series



PMV6

Actuator



D - Domed

Terminal



W - Wire leads
500mm

Function Options



1 - SPST
On - (On)*
2 - SPST
Off - (On)*
3 - SPST
On - (Off)*

Housing



B - Black
Nylon 6/6

Cap Colors



BLK - Black
RED - Red
GRN - Green
WHT - White
BLU - Blue
YEL - Yellow

NOTES:

*() Denotes function is momentary

Specifications subject to change without notice 2.10.2021



E-SWITCH®

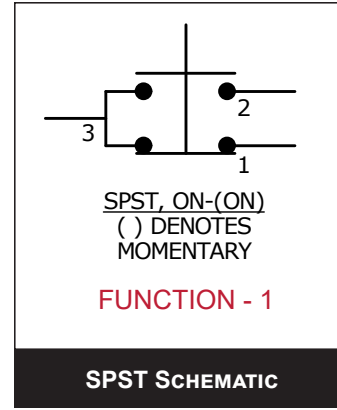
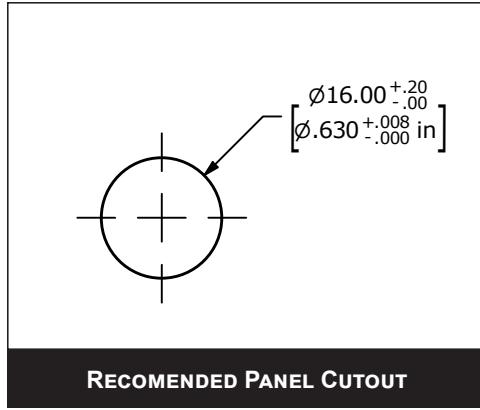
www.e-switch.com

800.867.2717

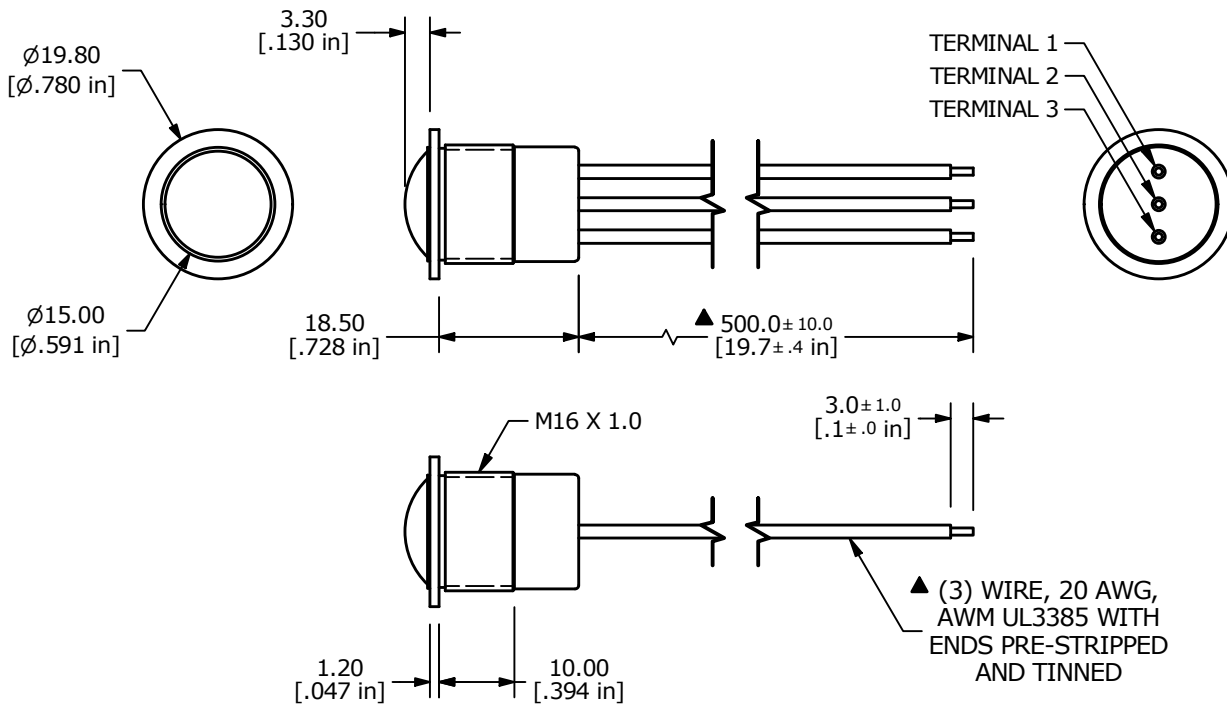
1

PMV6 SERIES ANTI-VANDAL SWITCH

BODY DIMENSIONS SPDT OFF-(ON)



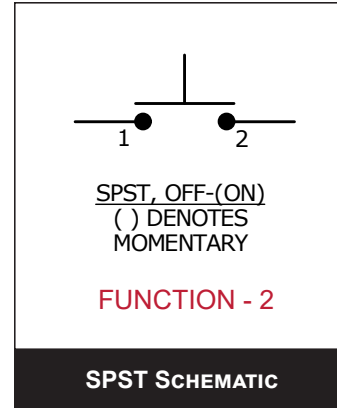
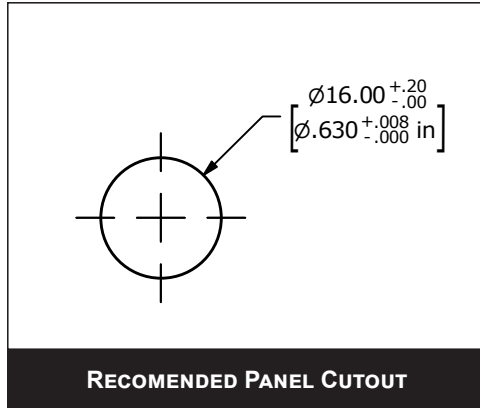
SWITCH	WIRE	LENGTH
SW1-1	WIRE, 20AWG AWM UL3385, GREEN	500.0 [19.7 in]
SW1-2	WIRE, 20AWG AWM UL3385, BLUE	500.0 [19.7 in]
SW1-3	WIRE, 20AWG AWM UL3385, BLACK	500.0 [19.7 in]



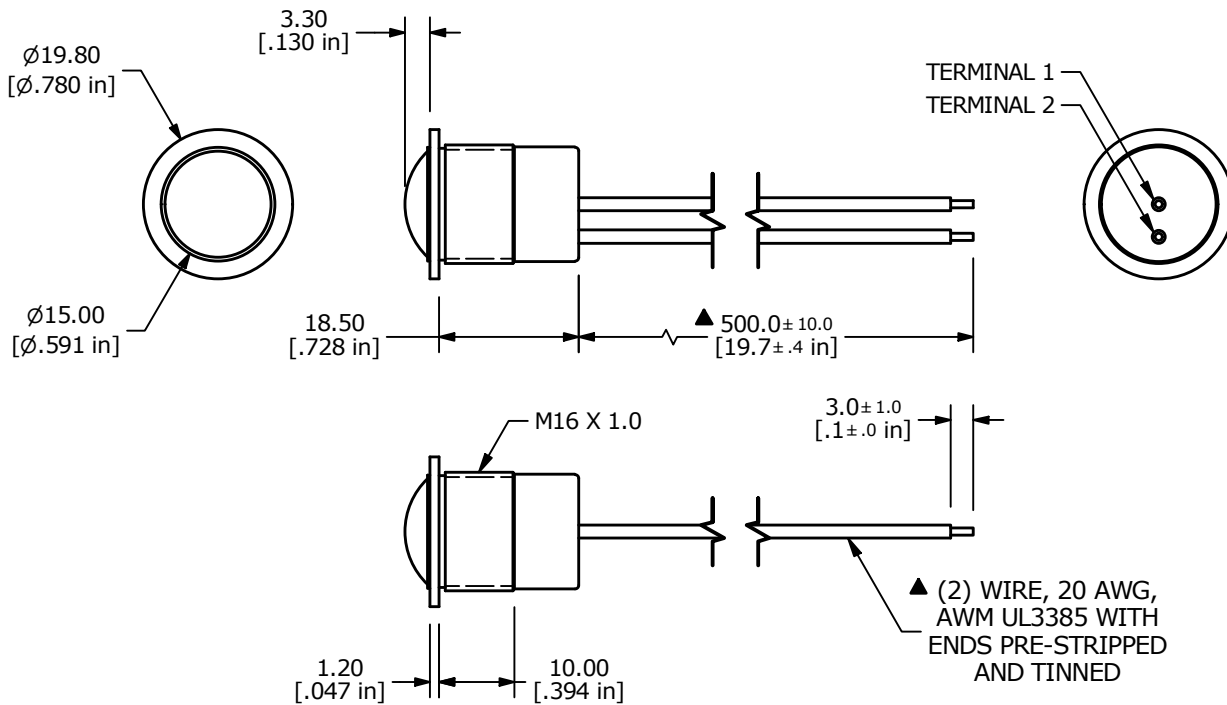
PMV6 SERIES ANTI-VANDAL SWITCH

BODY DIMENSIONS SPST OFF-(ON)

ANTI-VANDAL SWITCHES
DETECTOR SWITCHES
DIP SWITCHES
KEYLOCK SWITCHES
NAVIGATION SWITCHES
PUSHBUTTON SWITCHES
ROCKER SWITCHES
ROTARY SWITCHES
SLIDE SWITCHES
SNAP ACTION SWITCHES
TACTILE SWITCHES
TOGGLE SWITCHES
CAP OPTIONS

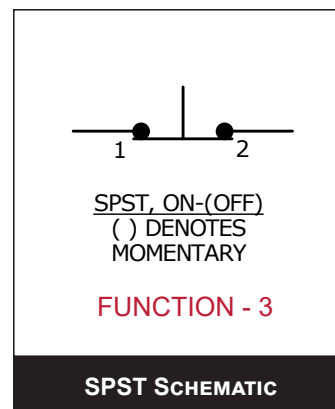
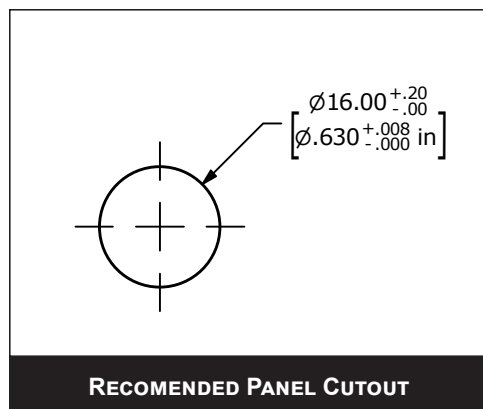


SWITCH	WIRE	LENGTH
SW1-1	WIRE, 20AWG AWM UL3385, BLACK	500.0 [19.7 in]
SW1-2	WIRE, 20AWG AWM UL3385, BLACK	500.0 [19.7 in]



PMV6 SERIES ANTI-VANDAL SWITCH

BODY DIMENSIONS SPST ON-(OFF)



SWITCH	WIRE	LENGTH
SW1-1	WIRE, 20AWG AWM UL3385, BLACK	500.0 [19.7 in]
SW1-2	WIRE, 20AWG AWM UL3385, BLACK	500.0 [19.7 in]

