

## DETAILS

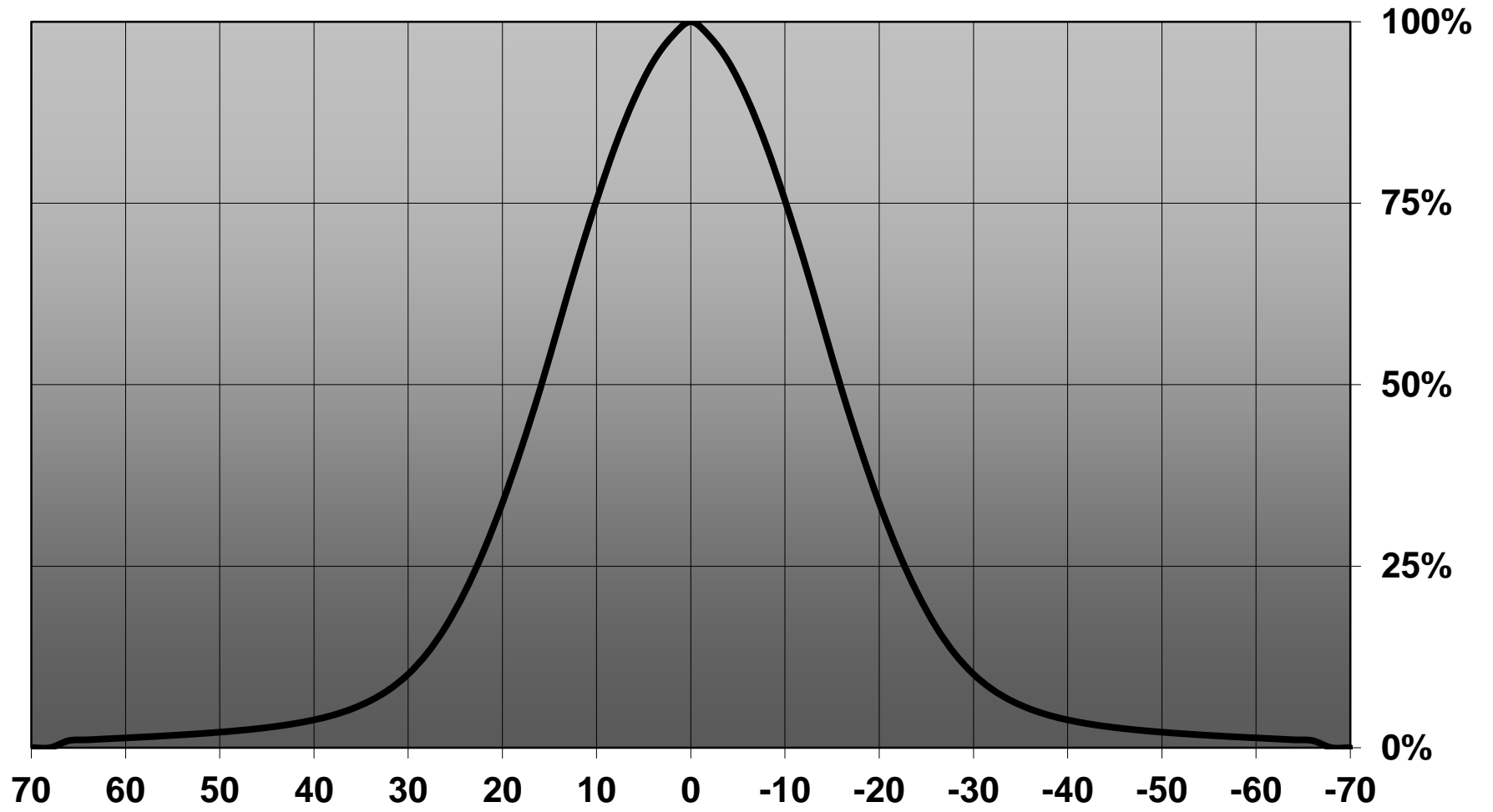
<b>Product Number</b>	C10893_GT3-W
<b>Family</b>	Gt3
<b>Type</b>	Lens array
<b>Color</b>	clear
<b>Diameter</b>	35 mm
<b>Height</b>	9 mm
<b>Style</b>	round
<b>Optic Material</b>	PMMA
<b>Holder Material</b>	
<b>Fastening</b>	glue, pin
<b>Status</b>	production ready
<b>ROHS Compliant</b>	Yes
<b>Date Updated</b>	10/11/2014

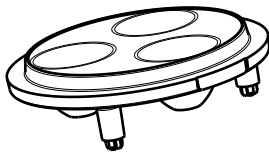


## OPTICAL PROPERTIES

LED	Viewing	Light	Efficiency	cd/lm	Connector
	Angle	Beam			
XP-E	40 deg	Wide	89 %	1.600	-
XP-G	46 deg	Wide	86 %	1.290	-
XB-D	32 deg	Wide	92 %	1.800	-
LUXEON Rebel ES	44 deg	Wide	85 %	-	-
LUXEON Rebel	38 deg	Wide	85 %	-	-
LUXEON A	44 deg	Wide	-	-	-
NCSxx19A	40 deg	Wide	86 %	-	-
NVSxx19A	44 deg	Wide	86 %	-	-
Oslon SSL 80	36 deg	Wide	89 %	-	-
Oslon SSL 150	40 deg	Wide	88 %	-	-
Oslon Square EC	36 deg	Wide	89 %	1.820	-
Z5	40 deg	Wide	-	-	-

Relative intensity of C10893\_GT3-W-XBD



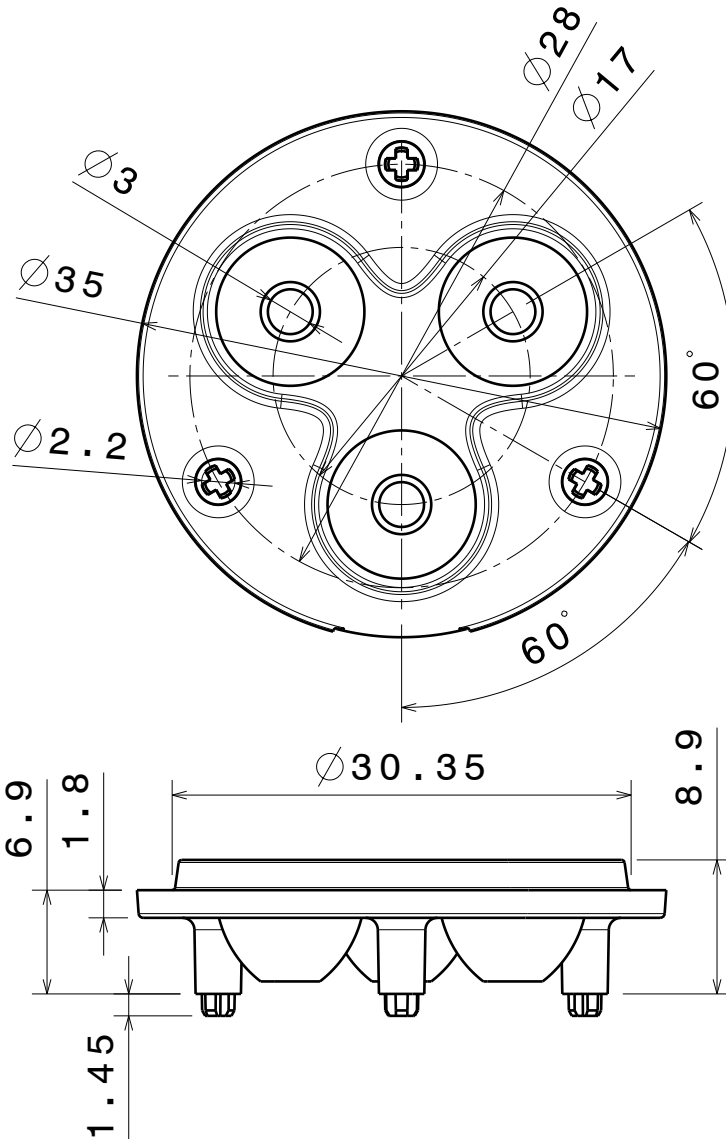


Isometric view  
Scale: 1:1

Material: PMMA

Part no.s:

- C10891\_GT3-XP-S
- C10891\_GT3-XP-G-S
- C10891\_GT3-OSL-S
- C10891\_GT3-DD-S
- C10891\_GT3-RE-ES-M
- C10891\_GT3-Z5-S
- C10892\_GT3-XP-M
- C10892\_GT3-XP-G-M
- C10892\_GT3-OSL-M
- C10892\_GT3-DD-M
- C10892\_GT3-XP-M
- C10892\_GT3-Z5-M
- C10893\_GT3-XP-W
- C10893\_GT3-XP-G-W
- C10893\_GT3-OSL-W
- C10893\_GT3-DD-W
- C10893\_GT3-RE-ES-W
- C11623\_GT3-RE-VW
- C11623\_GT3-N19-VW
- C11624\_GT3-XP-VW
- C11624\_GT3-XP-G-VW
- C11624\_GT3-OSL-VW
- C11624\_GT3-DD-VW
- C11624\_GT3-Z5-VW



Bottom view

Front view

This drawing is our property.  
It can't be reproduced  
or communicated without  
our written agreement.



L  
T  
F  
F

e  
e  
i  
i  
N  
n

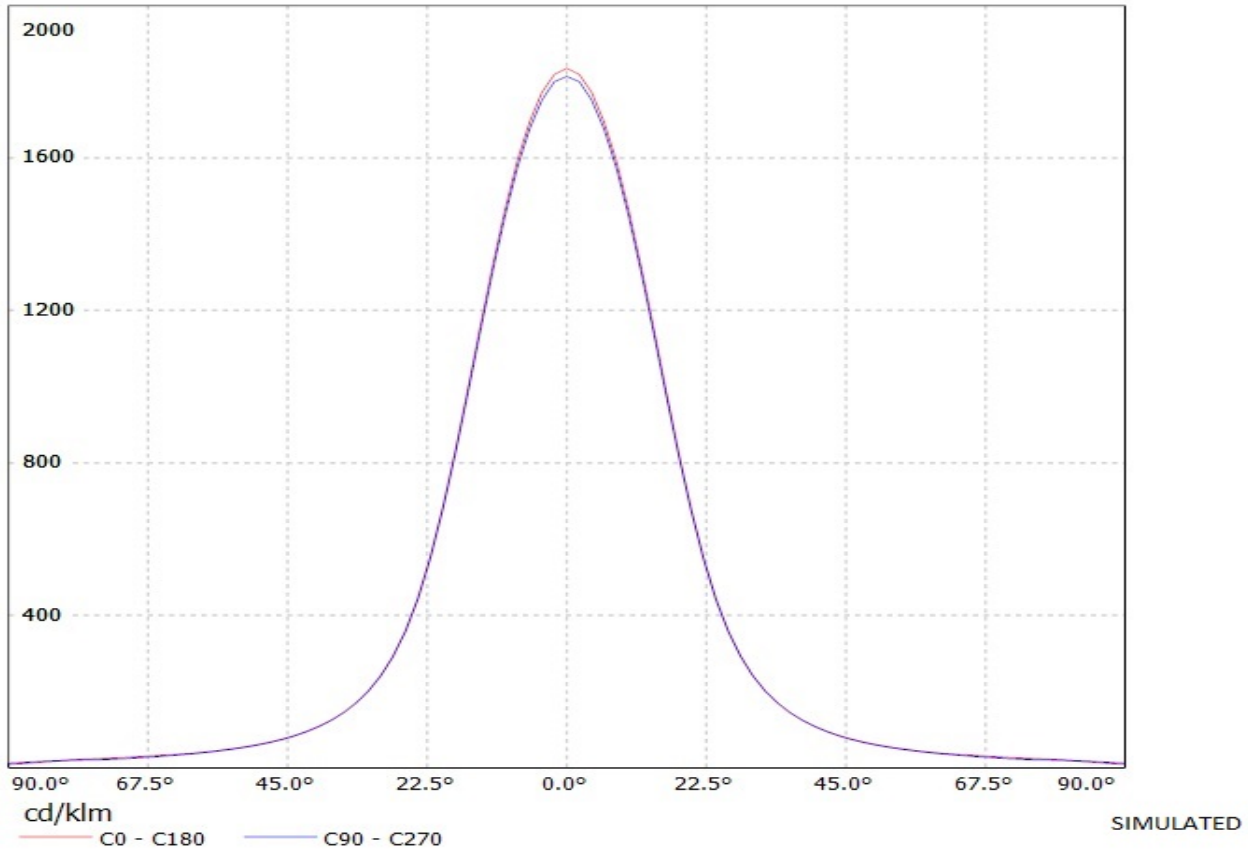
DRAWING TITLE

Datasheet GT3-Series Lens

DRAWN BY p		DATE 08.01.2010		DRAWING TITLE Datasheet GT3-Series Lens			
CHECKED BY t k		DATE 07.01.2010		SIZE A4	DRAWING NUMBER -		REV 1
DESIGNED BY hh		DATE 07.01.2010		SCALE 2:1	WEIGHT (g)	SHEET 1/1	

# Ledil Oy C10892\_GT3-XP-G-M C10892\_GT3-XP-G-M / LDC (Linear)

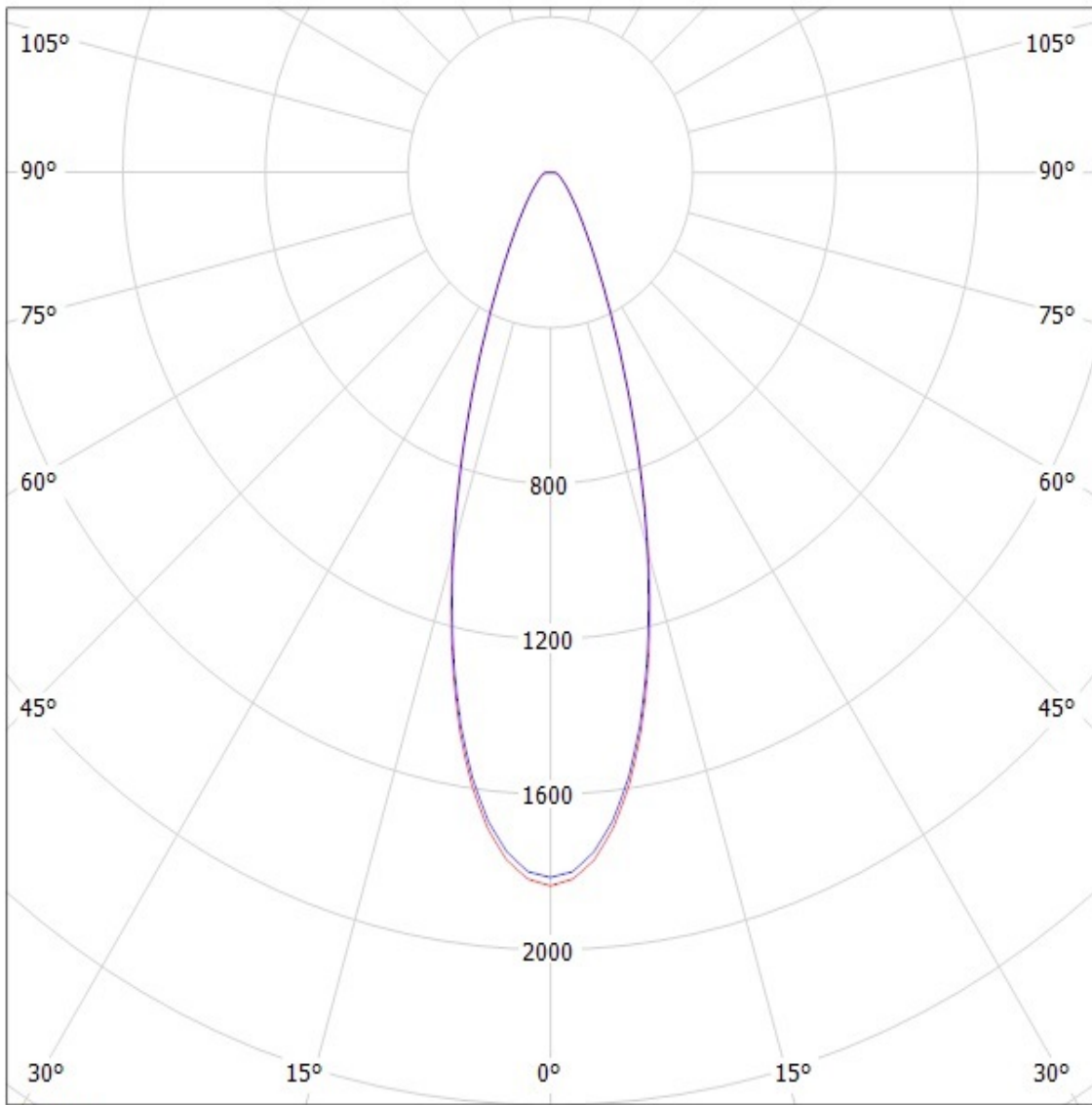
Luminaire: Ledil Oy C10892\_GT3-XP-G-M C10892\_GT3-XP-G-M  
Lamps: 3 x Cree XP-G (White)



# Ledil Oy C10892\_GT3-XP-G-M C10892\_GT3-XP-G-M / LDC (Polar)

Luminaire: Ledil Oy C10892\_GT3-XP-G-M C10892\_GT3-XP-G-M

Lamps: 3 x Cree XP-G (White)



cd/klm

— C0 - C180

— C90 - C270

SIMULATED

**NOTE: The typical divergence will be changed by different color, chip size and chip position tolerance. The typical total divergence is the full angle measured where the luminous intensity is half of the peak value.**