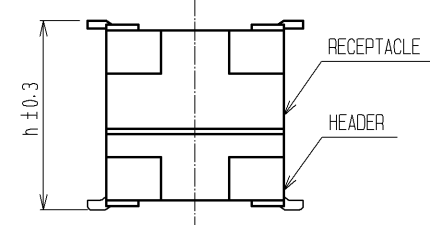


NOTES 1 LEAD CO-PLANARITY INCLUDE REINFORCED METAL FITTINGS SHALL BE 0.1mm MAX .
 2 WHEN A PART MARKED WITH HAS A PATTERN BUT NO RESIST ON IT. TAKE CARE TO PREVENT THE CONNECTOR FROM TOUCHING IT.

MATED HIGHT (h)	RECEPTACLE NO. (mm)	
HEADER NO.	DF17#(3.0)-80DS-0.5V(57)	DF17#(4.0)-80DS-0.5V(57)
DF17C(2.0)-80DP-0.5V(57)	5	6

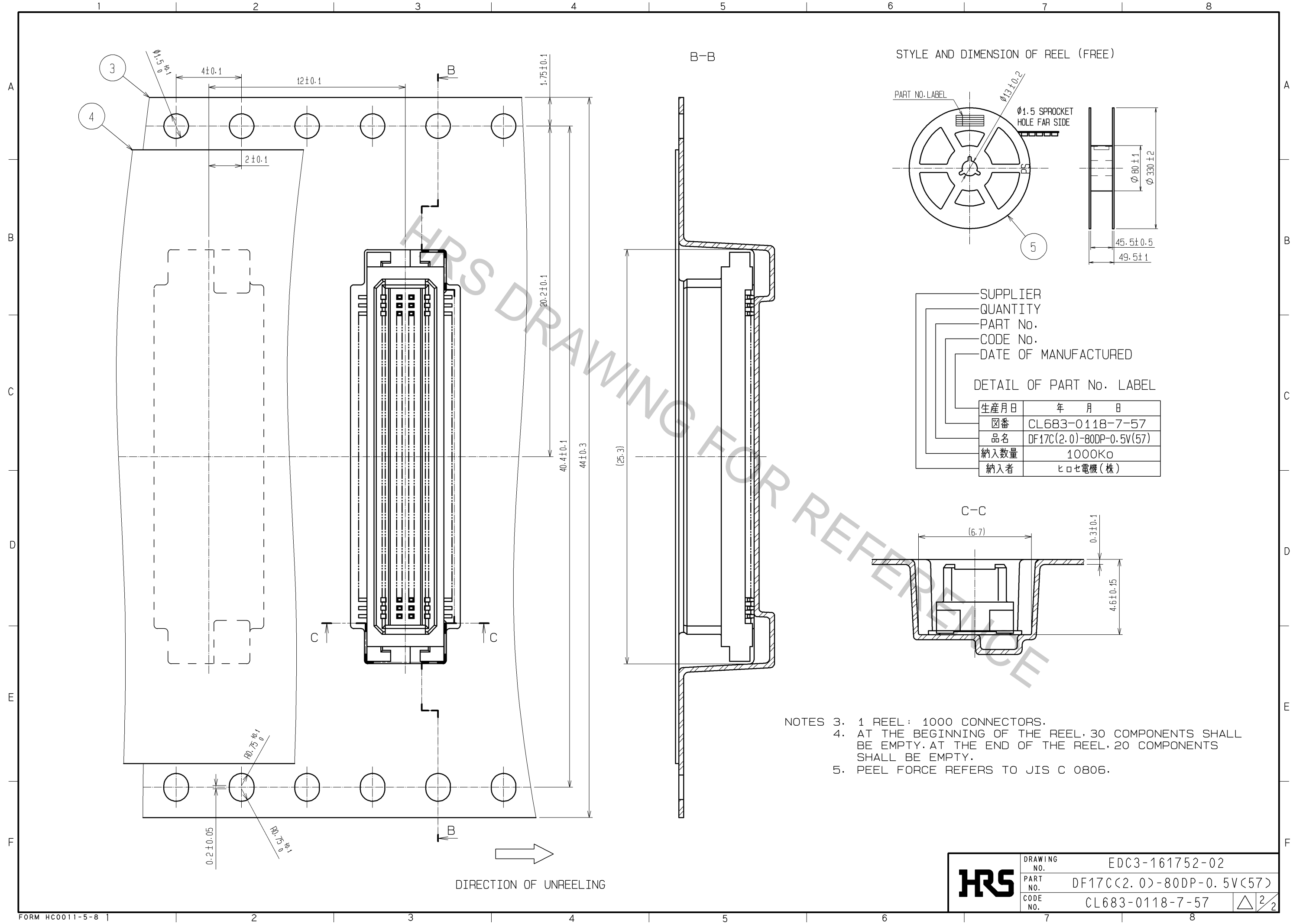


NO.	MATERIAL	FINISH .	REMARKS	NO.	MATERIAL	FINISH .	REMARKS
2	POLYAMIDE (PA6T)	WHITE BEIGE .	UL94V-0	5	PS		PLASTIC REEL . BLACK
1	PHOSPHER BRONZE		CONTACT AREA:GOLD PLATED 0.1#m min LEAD AREA:TIN PLATED 1#m min UNDER PLATING:NICKEL PLATED 1#m min	4	POLYESTER		CLEAR (COVER TAPE)
				3	A-PET		CLEAR(EMBOSSD CARRIER TAPE)

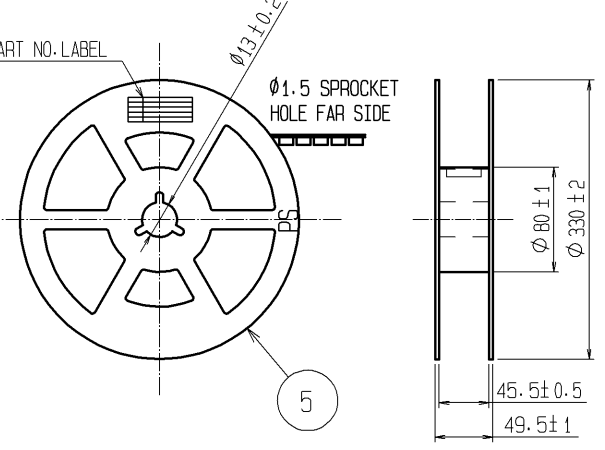
UNITS	SCALE	COUNT	DESCRIPTION OF REVISIONS	DESIGNED	CHECKED	DATE
mm	5 : 1	△				

APPROVED : KH. IKEDA	08.11.21	DRAWING NO.	EDC3-161752-02
CHECED : TS. MIYAZAKI	08.11.21	PART NO.	DF17C(2.0)-80DP-0.5V(57)
DESIGNED : TY. YAMASAKI	08.11.20	CODE NO.	CL683-0118-7-57
DRAWN : TY. YAMASAKI	08.11.20		

Apr.1.2017 Copyright 2017 HIROSE ELECTRIC CO., LTD. All Rights Reserved.



STYLE AND DIMENSION OF REEL (FREE)



SUPPLIER
QUANTITY
PART No.
CODE No.
DATE OF MANUFACTURED

DETAIL OF PART No. LABEL

生産月日	年 月 日
図番	CL683-0118-7-57
品名	DF17C(2.0)-80DP-0.5V(57)
納入数量	1000K ϕ
納入者	ヒロセ電機(株)

- NOTES
- 1 REEL : 1000 CONNECTORS.
 - AT THE BEGINNING OF THE REEL, 30 COMPONENTS SHALL BE EMPTY. AT THE END OF THE REEL, 20 COMPONENTS SHALL BE EMPTY.
 - PEEL FORCE REFERS TO JIS C 0806.

HRS	DRAWING NO.	EDC3-161752-02
	PART NO.	DF17C(2.0)-80DP-0.5V(57)
	CODE NO.	CL683-0118-7-57
		\triangle 2/2