

PART NAME: KNOB

SCALE: 1:1

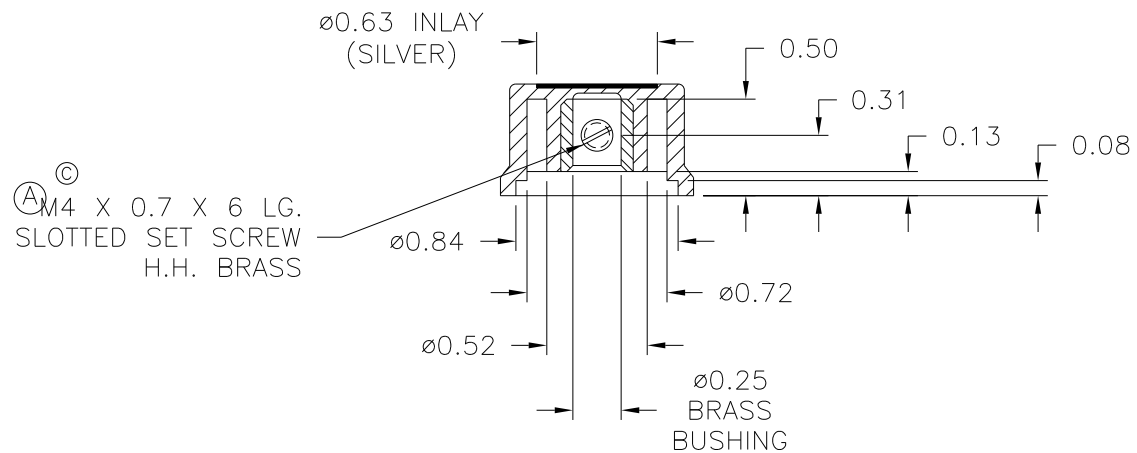
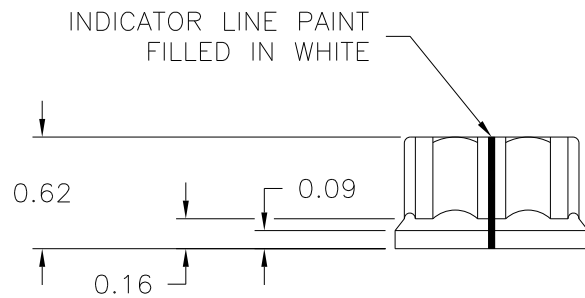
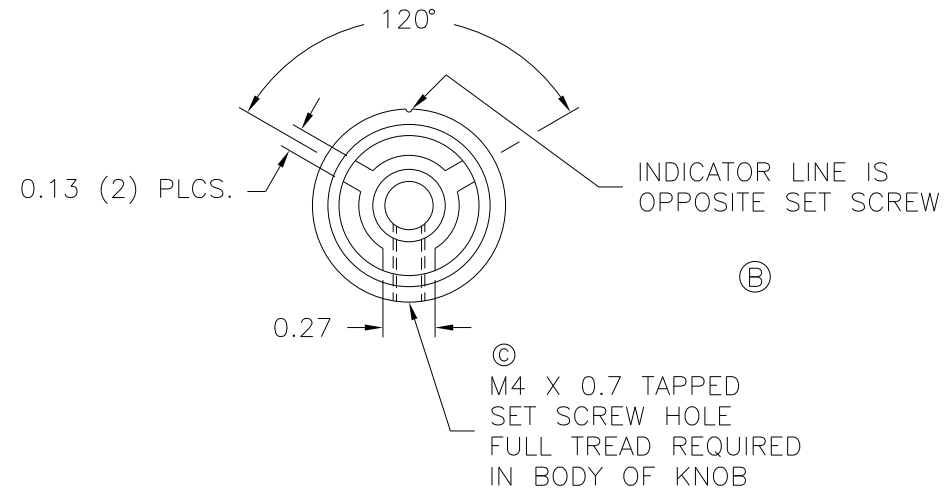
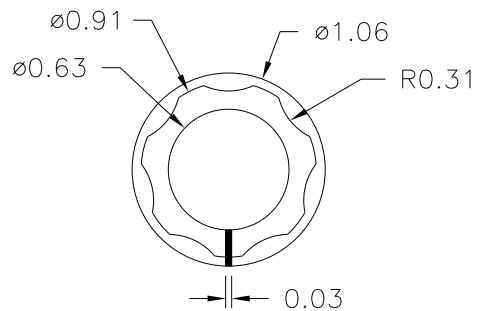
DATE: 12/7/93

DR. BY HD

DAVIES MOLDING COMPANY
CAROL STREAM, ILLINOIS 60188

P/N 1105

THIS DRAWING IS THE PROPERTY OF DAVIES MOLDING COMPANY, IS SUBMITTED SOLELY AS A DESIGN OR ENGINEERING PROJECT.
WE ACCEPT NO RESPONSIBILITY WHATSOEVER FOR THE PRACTICAL APPLICATION OF THE PIECES MADE TO THIS DESIGN.



©
B

MATERIAL: PHENOLIC
COLOR: BLACK

TOLERANCES:
UNLESS OTHERWISE SPECIFIED

DO NOT SCALE
DRAWING

DECIMALS: X.XXX \pm .005
X.XX \pm .015

MM: X.XX \pm 0.15MM
X.X \pm 0.4MM

FRACTIONS \pm 1/64

ANG. \pm 1°

-	REMOVED ALTERNATE SET SCREW	JAM	8/6/01
C	ALTERNATE WAS METRIC	JAM	6/5/01
B	ADDED SET SCREW HOLE DETAIL AND ALTERNATE METRIC SET SCREW	RF	6/26/98
A	WAS SET SCREW	JRM	11/3/97

CHANGES