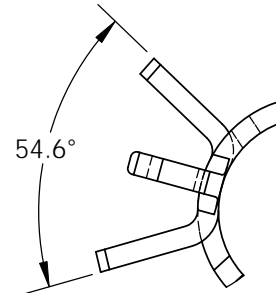
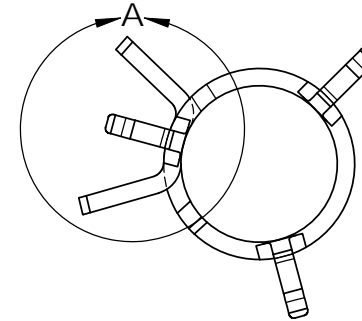
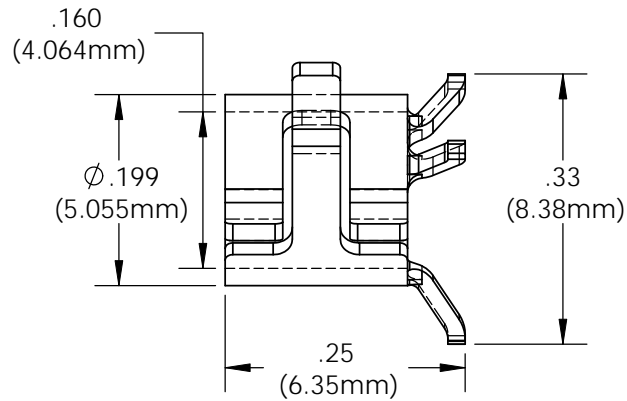


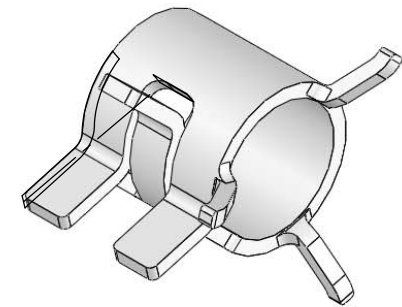
NOTES:

- 1) FINISH: Nickel Plate
- 2) U.S. & Foreign Pat. Issued & Pend.

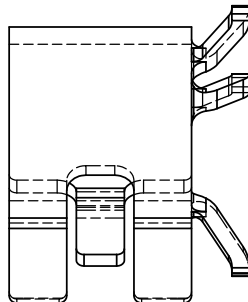
REVISIONS				
ECN #	REV	DESCRIPTION	DATE	INITIALS
	N/A	INITIAL RELEASE	2/17/99	JS
	A	CHANGE R.005 TO R.015;P/N WAS CLV NOW RTN	5/00	JS
	B	CHANGE ϕ .090 TO ϕ .070	6/28/02	JS
	001	REVISED PER ECR111009AZ01	2/16/10	KH



DETAIL A
SCALE 6 : 1



ISOMETRIC VIEW



UNLESS OTHERWISE SPECIFIED DIMENSIONS ARE IN INCHES: ANGLES DECIMALS $\pm 1'$.X \pm .020 .XX \pm .010 FINISH .XXX \pm .005 BREAK ALL CORNERS AND SHARP EDGES .050 MAX		MATERIAL SPRING STEEL (C1050)		VISUAL COMMUNICATIONS COMPANY 190 Bosstick Boulevard, Suite 101 San Marcos, CA 92069 USA Phone (760) 560-1300 Fax (760) 560-1301 email vccsales@vcclite.com	
THIRD ANGLE PROJECTION		FINISH SEE NOTES		TITLE: RTN 250	
<small>PROPRIETARY AND CONFIDENTIAL</small> <small>THE INFORMATION CONTAINED IN THIS DRAWING IS THE SOLE PROPERTY OF VISUAL COMMUNICATIONS COMPANY, INC. ANY REPRODUCTION IN PART OR AS A WHOLE WITHOUT THE WRITTEN PERMISSION OF VISUAL COMMUNICATIONS COMPANY, INC. IS PROHIBITED.</small>		APPROVALS	DATE	SIZE A	DWG. NO. RTN 250
		DRAWN K.Howard	2/16/10	REV 001	
		CHECKED DPZ	2/22/10	SCALE: 5:1	
		DO NOT SCALE DRAWING		SHEET 1 OF 1	