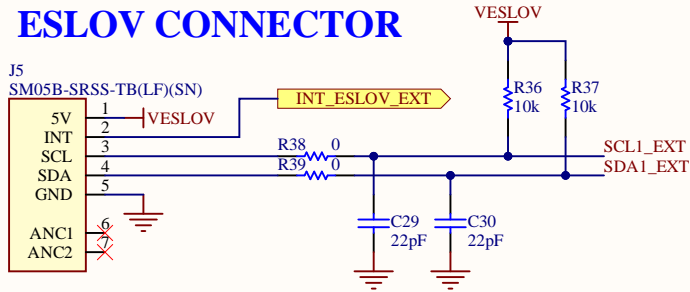
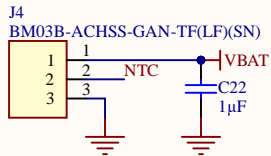


Reference Designs ARE PROVIDED "AS IS" AND "WITH ALL FAULTS. Arduino SA DISCLAIMS ALL OTHER WARRANTIES, EXPRESS OR IMPLIED, REGARDING PRODUCTS, INCLUDING BUT NOT LIMITED TO, ANY IMPLIED WARRANTIES OF MERCHANTABILITY OR FITNESS FOR A PARTICULAR PURPOSE. Arduino SA may make changes to specifications and product descriptions at any time, without notice. The Customer must not rely on the absence or characteristics of any features or instructions marked "reserved" or "undefined". Arduino SA reserves these for future definition and shall have no responsibility whatsoever for conflicts or incompatibilities arising from future changes to them. The product information on the Web Site or Materials is subject to change without notice. Do not finalize a design with this info. ARDUINO and other Arduino brands and logos and Trademarks of Arduino SA. All Arduino SA Trademarks cannot be used without owner's formal permission.

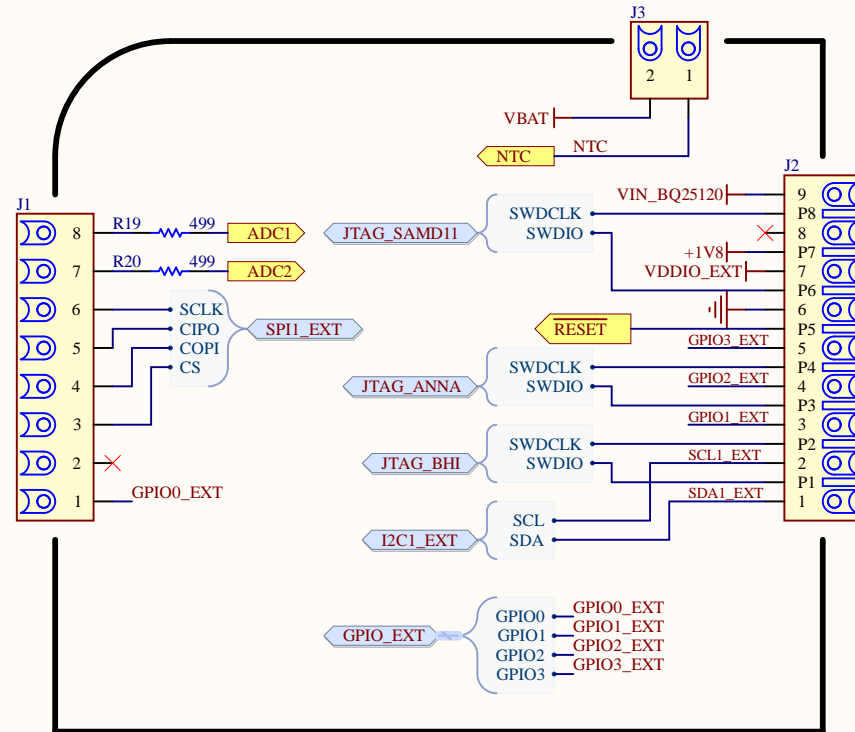
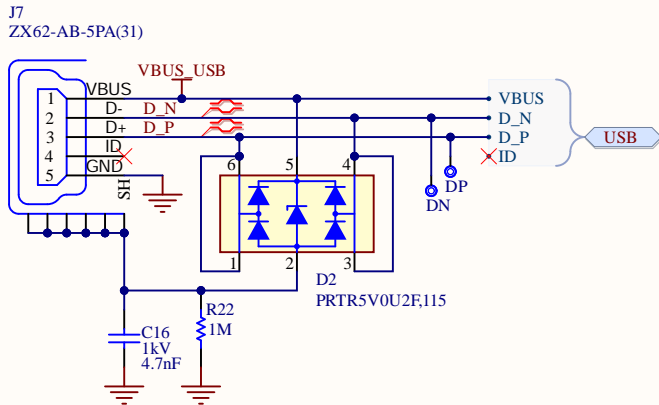
ESLOV CONNECTOR



BATTERY CONNECTOR



USB CONNECTOR



Reference Designs ARE PROVIDED "AS IS" AND "WITH ALL FAULTS. Arduino SA DISCLAIMS ALL OTHER WARRANTIES, EXPRESS OR IMPLIED, REGARDING PRODUCTS, INCLUDING BUT NOT LIMITED TO, ANY IMPLIED WARRANTIES OF MERCHANTABILITY OR FITNESS FOR A PARTICULAR PURPOSE. Arduino SA may make changes to specifications and product descriptions at any time, without notice. The Customer must not rely on the absence or characteristics of any features or instructions marked "reserved" or "undefined". Arduino SA reserves these for future definition and shall have no responsibility whatsoever for conflicts or incompatibilities arising from future changes to them. The product information on the Web Site or Materials is subject to change without notice. Do not finalize a design with this info. ARDUINO and other Arduino brands and logos and Trademarks of Arduino SA. All Arduino SA Trademarks cannot be used without owner's formal permission.

Title: **CONNECTORS**

ID: **ABX00050**

Date: 20/09/2021 Time: 10:12:43

File: Connectors.SchDoc

Revision: **V0.9**

Sheet 2 of 7

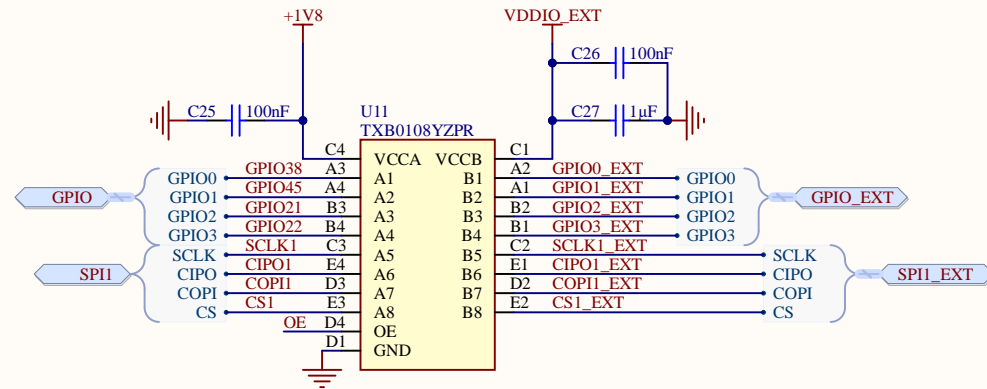
Author: Francesca Cenna



RevAuthor: Silvio Navaretti

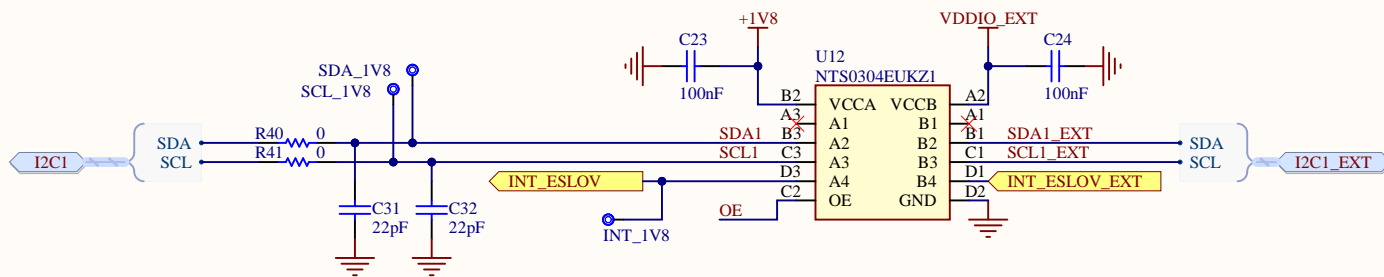
A

A



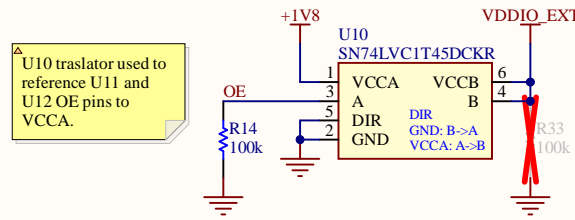
B

B



C

C




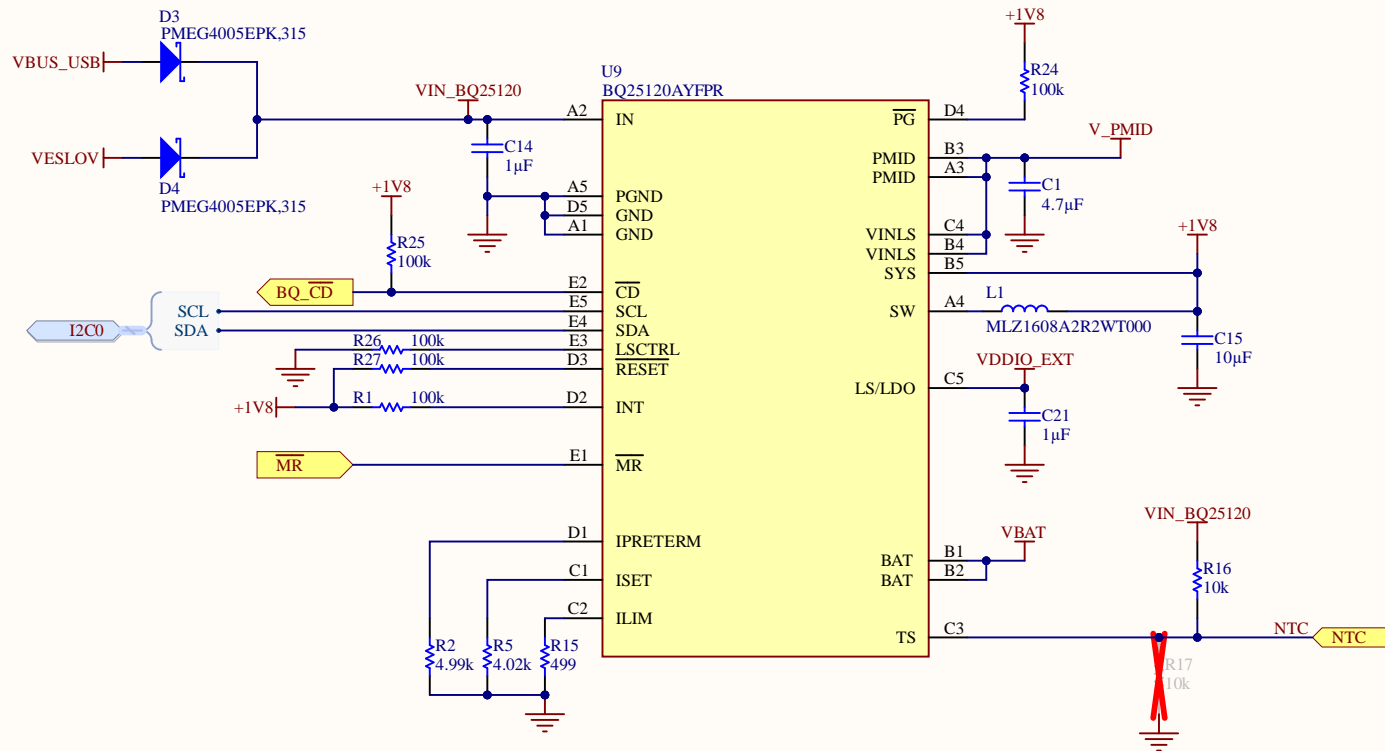
U10 traslator used to reference U11 and U12 OE pins to VCCA.

D

D

Reference Designs ARE PROVIDED "AS IS" AND "WITH ALL FAULTS. Arduino SA DISCLAIMS ALL OTHER WARRANTIES, EXPRESS OR IMPLIED, REGARDING PRODUCTS, INCLUDING BUT NOT LIMITED TO, ANY IMPLIED WARRANTIES OF MERCHANTABILITY OR FITNESS FOR A PARTICULAR PURPOSE. Arduino SA may make changes to specifications and product descriptions at any time, without notice. The Customer must not rely on the absence or characteristics of any features or instructions marked "reserved" or "undefined". Arduino SA reserves these for future definition and shall have no responsibility whatsoever for conflicts or incompatibilities arising from future changes to them. The product information on the Web Site or Materials is subject to change without notice. Do not finalize a design with this info. ARDUINO and other Arduino brands and logos and Trademarks of Arduino SA. All Arduino SA Trademarks cannot be used without owner's formal permission.

Title: LEVEL SHIFTERS		 	
ID: ABX00050			
Date: 20/09/2021	Time: 10:12:45	Sheet 3 of 7	
File: LevelShifters.SchDoc		Author: Francesca Cenna	RevAuthor: Silvio Navaretti



BATTERY-PACK NTC MONITOR			MIN	TYP	MAX	UNIT
V _{HOT}	High temperature threshold	V _{TS} falling, 1% V _{IN} Hysteresis	14.5	15	15.2	%V _{IN}
V _{WARM}	Warm temperature threshold	V _{TS} falling, 1% V _{IN} Hysteresis	20.1	20.5	20.8	%V _{IN}
V _{COOL}	Cool temperature threshold	V _{TS} rising, 1% V _{IN} Hysteresis	35.4	36	36.4	%V _{IN}
V _{COLD}	Low temperature threshold	V _{TS} rising, 1% V _{IN} Hysteresis	39.3	39.8	40.2	%V _{IN}
TS _{OFF}	TS Disable threshold	V _{TS} rising, 2% V _{IN} Hysteresis	55		60	%V _{IN}

Reference Designs ARE PROVIDED "AS IS" AND "WITH ALL FAULTS. Arduino SA DISCLAIMS ALL OTHER WARRANTIES, EXPRESS OR IMPLIED, REGARDING PRODUCTS, INCLUDING BUT NOT LIMITED TO, ANY IMPLIED WARRANTIES OF MERCHANTABILITY OR FITNESS FOR A PARTICULAR PURPOSE. Arduino SA may make changes to specifications and product descriptions at any time, without notice. The Customer must not rely on the absence or characteristics of any features or instructions marked "reserved" or "undefined". Arduino SA reserves these for future definition and shall have no responsibility whatsoever for conflicts or incompatibilities arising from future changes to them. The product information on the Web Site or Materials is subject to change without notice. Do not finalize a design with this info. ARDUINO and other Arduino brands and logos and Trademarks of Arduino SA. All Arduino SA Trademarks cannot be used without owner's formal permission.

Title: **POWER**

ID: **ABX00050**

Date: 20/09/2021 Time: 10:12:47

File: Power_bq.SchDoc

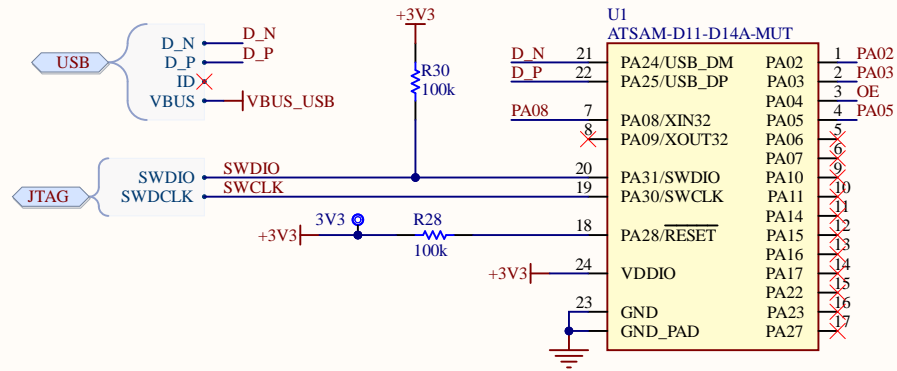
Revision: **V0.9**

Sheet 4 of 7

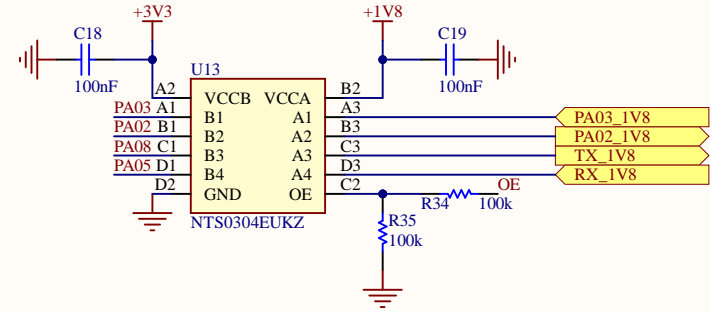
Author: **Francesca Cenna**



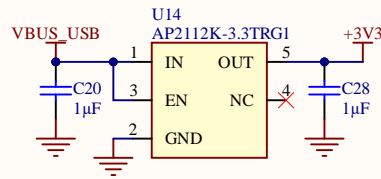
RevAuthor: **Silvio Navaretti**





LEVEL TRANSLATOR



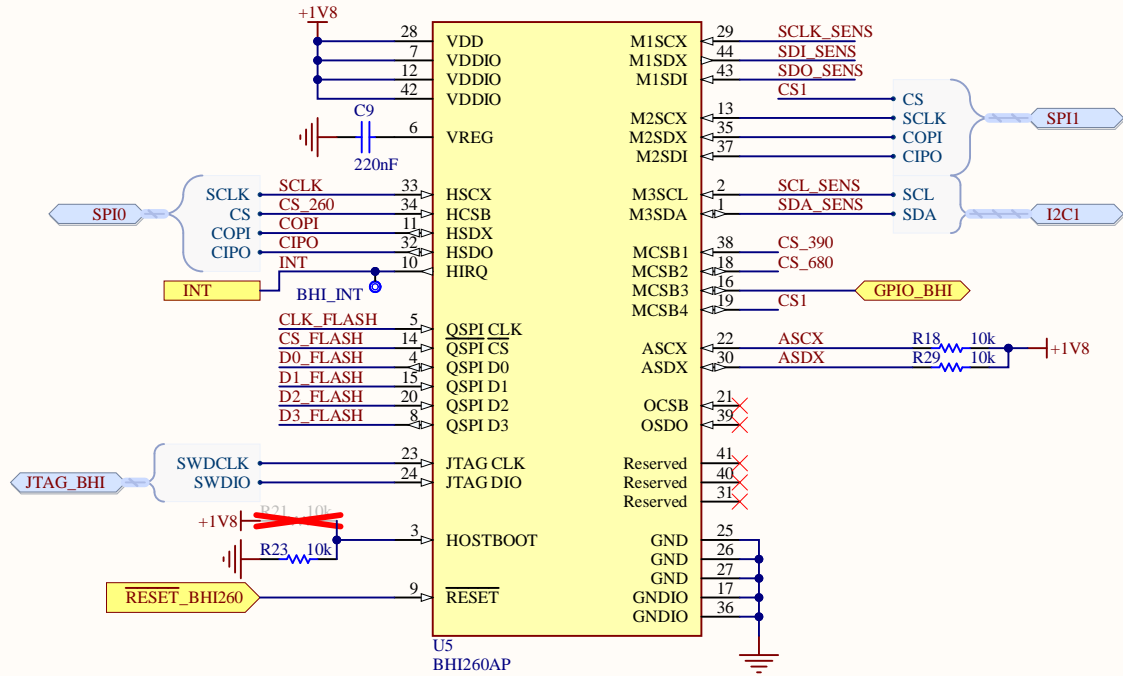
LDO 3V3



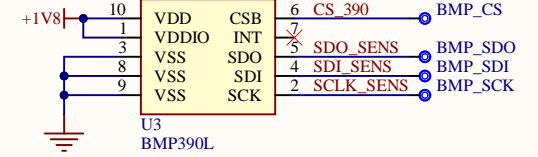
Reference Designs ARE PROVIDED "AS IS" AND "WITH ALL FAULTS. Arduino SA DISCLAIMS ALL OTHER WARRANTIES, EXPRESS OR IMPLIED, REGARDING PRODUCTS, INCLUDING BUT NOT LIMITED TO, ANY IMPLIED WARRANTIES OF MERCHANTABILITY OR FITNESS FOR A PARTICULAR PURPOSE. Arduino SA may make changes to specifications and product descriptions at any time, without notice. The Customer must not rely on the absence or characteristics of any features or instructions marked "reserved" or "undefined". Arduino SA reserves these for future definition and shall have no responsibility whatsoever for conflicts or incompatibilities arising from future changes to them. The product information on the Web Site or Materials is subject to change without notice. Do not finalize a design with this info. ARDUINO and other Arduino brands and logos and Trademarks of Arduino SA. All Arduino SA Trademarks cannot be used without owner's formal permission.

Title: USB BRIDGE		 	
ID: ABX00050			
Date: 20/09/2021	Time: 10:12:50	Sheet 5 of 7	
File: SAMD11 USB Bridge.SchDoc		Author: Francesca Cenna	RevAuthor: Silvio Navaretti

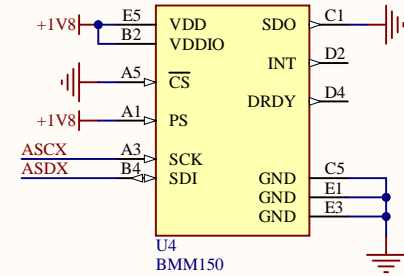
Sensor Fusion / 6 DOF IMU



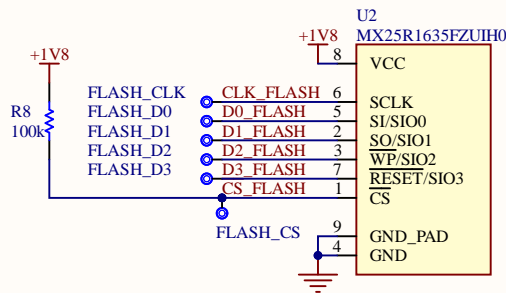
Pressure Sensor



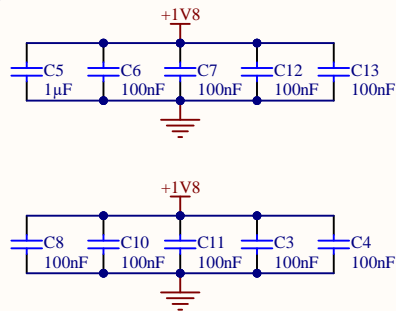
Magnetometer



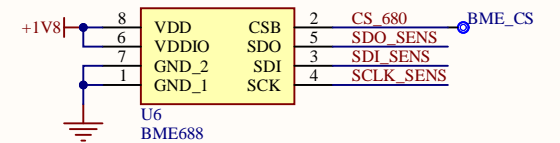
BHI Flash



Bypass Capacitors



Pressure, Humidity, Temperature, VOC



Reference Designs ARE PROVIDED "AS IS" AND "WITH ALL FAULTS". Arduino SA DISCLAIMS ALL OTHER WARRANTIES, EXPRESS OR IMPLIED, REGARDING PRODUCTS, INCLUDING BUT NOT LIMITED TO, ANY IMPLIED WARRANTIES OF MERCHANTABILITY OR FITNESS FOR A PARTICULAR PURPOSE. Arduino SA may make changes to specifications and product descriptions at any time, without notice. The Customer must not rely on the absence or characteristics of any features or instructions marked "reserved" or "undefined". Arduino SA reserves these for future definition and shall have no responsibility whatsoever for conflicts or incompatibilities arising from future changes to them. The product information on the Web Site or Materials is subject to change without notice. Do not finalize a design with this info. ARDUINO and other Arduino brands and logos and Trademarks of Arduino SA. All Arduino SA Trademarks cannot be used without owner's formal permission.

Title: **SENSORS**

ID: **ABX00050**

Date: 20/09/2021 Time: 10:12:53

File: Sensors_SchDoc

Revision: **V0.9**

Sheet 6 of 7

Author: Francesca Cenna



RevAuthor: Silvio Navaretti

A

B

C

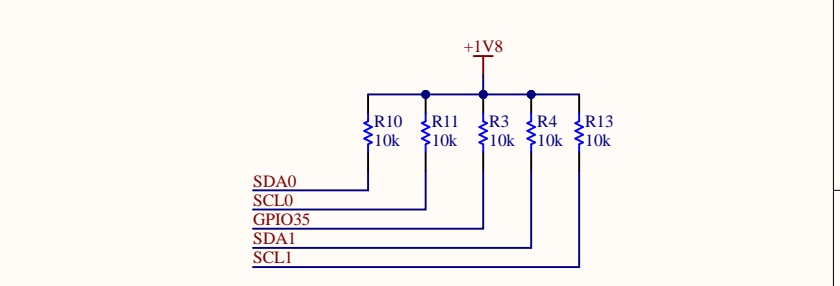
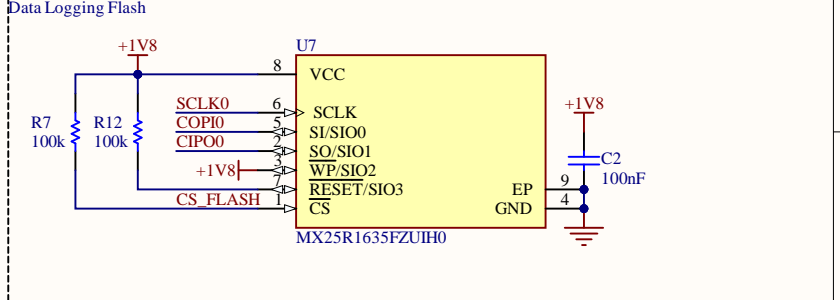
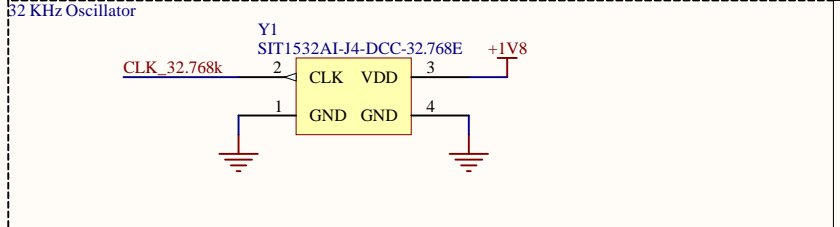
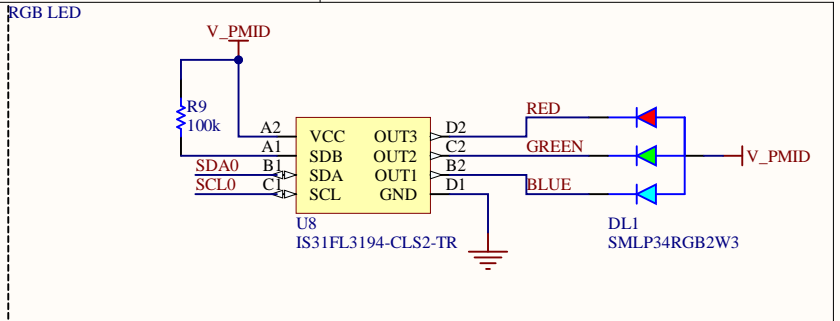
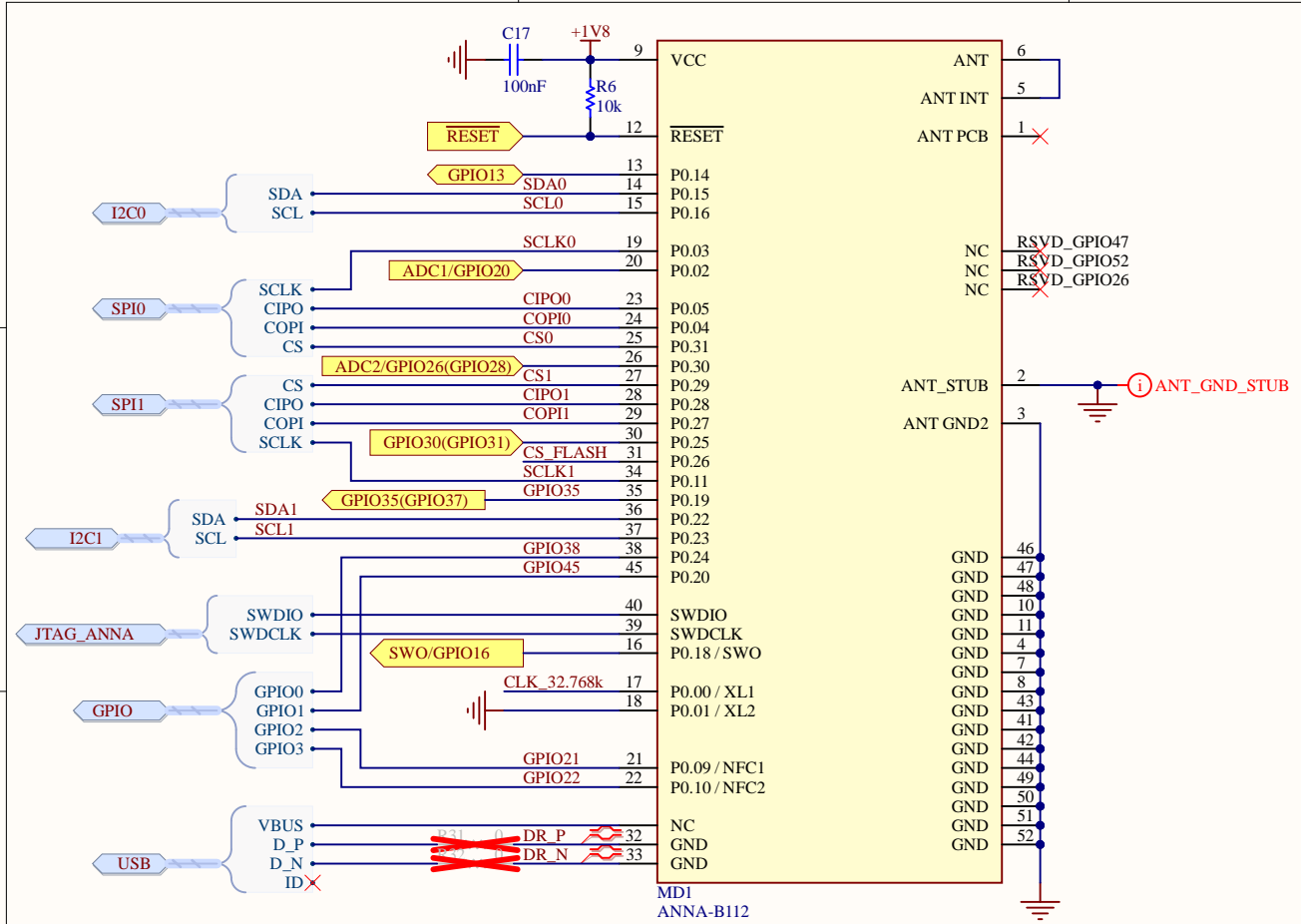
D

A

B

C

D



Reference Designs ARE PROVIDED "AS IS" AND "WITH ALL FAULTS. Arduino SA DISCLAIMS ALL OTHER WARRANTIES, EXPRESS OR IMPLIED, REGARDING PRODUCTS, INCLUDING BUT NOT LIMITED TO, ANY IMPLIED WARRANTIES OF MERCHANTABILITY OR FITNESS FOR A PARTICULAR PURPOSE.
 Arduino SA may make changes to specifications and product descriptions at any time, without notice. The Customer must not rely on the absence or characteristics of any features or instructions marked "reserved" or "undefined". Arduino SA reserves these for future definition and shall have no responsibility whatsoever for conflicts or incompatibilities arising from future changes to them. The product information on the Web Site or Materials is subject to change without notice.
 Do not finalize a design with this info. ARDUINO and other Arduino brands and logos and Trademarks of Arduino SA. All Arduino SA Trademarks cannot be used without owner's formal permission.

Title: ANNAB112		Revision: V0.9			
ID: ABX00050		Sheet 7 of 7			
Date: 20/09/2021	Time: 10:12:55	Author: Francesca Cenna		RevAuthor: Silvio Navaretti	
File: ANNAB112_BQ_SchDoc					