

6

5

4

3

2

1

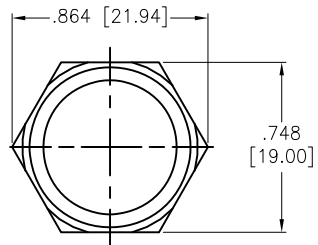
APPROVED: _____

DATE: _____ TITLE: _____

| | | | | |
|-----|-------|-------------|----------|------|
| Rev | AWO # | Description | Date | Appr |
| - | | RELEASED | 11/24/20 | |

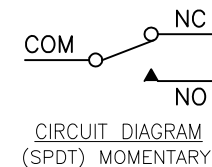
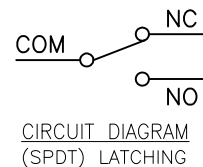
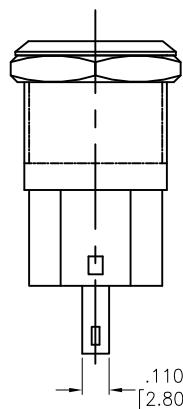
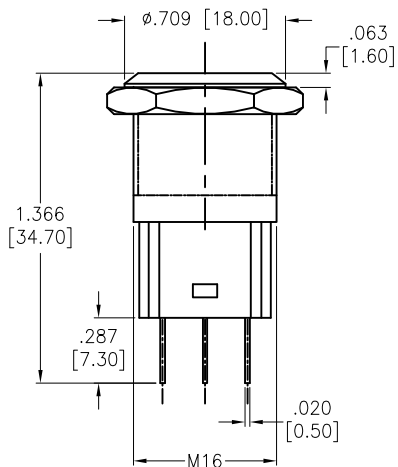
D

D



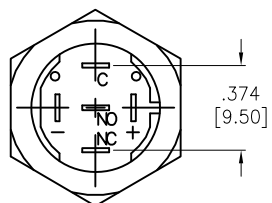
C

C



B

B



SW-PB2-2EX-A-L1
 S= Momentary
 Z= Latching

A

A

SPECIFICATIONS:

Material:
 The crust material: Stainless steel, Copper plated Nickel
 Electrical:
 Switch Rating: 3A, 250VAC
 Contact resistance: 30 mΩ max
 Insulation resistance: 100 Mohms min (500VDC)
 Dielectric withstanding voltage: 2000 VAC
 Temperature Rating:
 Operating temperature: -25°C to +55°C
 Environmental:
 Lead free, RoHS compliant



| | | | |
|---|-----------------|---|------------------|
| UNLESS OTHERWISE SPECIFIED ALL DIMENSIONS ARE INCHES [MM] TOLERANCES: EXCEPT AS NOTED | | 909 Rahway Avenue, Union, NJ 07083 Phone: 908-687-5000 Fax: 908-687-5710 | |
| INCHES HOLES | | | |
| .X ± .10 | ∅X ± .10 | TITLE SWITCH, PUSH BUTTON, PLASTIC WATERPROOF SPDT, 1NO-1NC, SOLDER TYPE | |
| .XX ± .020 | ∅XX ± .015 | | |
| .XXX ± .015 | ∅XXX ± .010 | | |
| APPROVALS | | DATE | |
| DRAWN | OW | 11/24/20 | |
| CHECKED | AC | 11/24/20 | |
| APPROVED | | | |
| SIZE | PART NO. | REV. | |
| X | SW-PB2-2EX-A-L1 | - | |
| REF: | - | SCALE: | NTS SHEET 1 OF 1 |

6

5

4

3

2

1