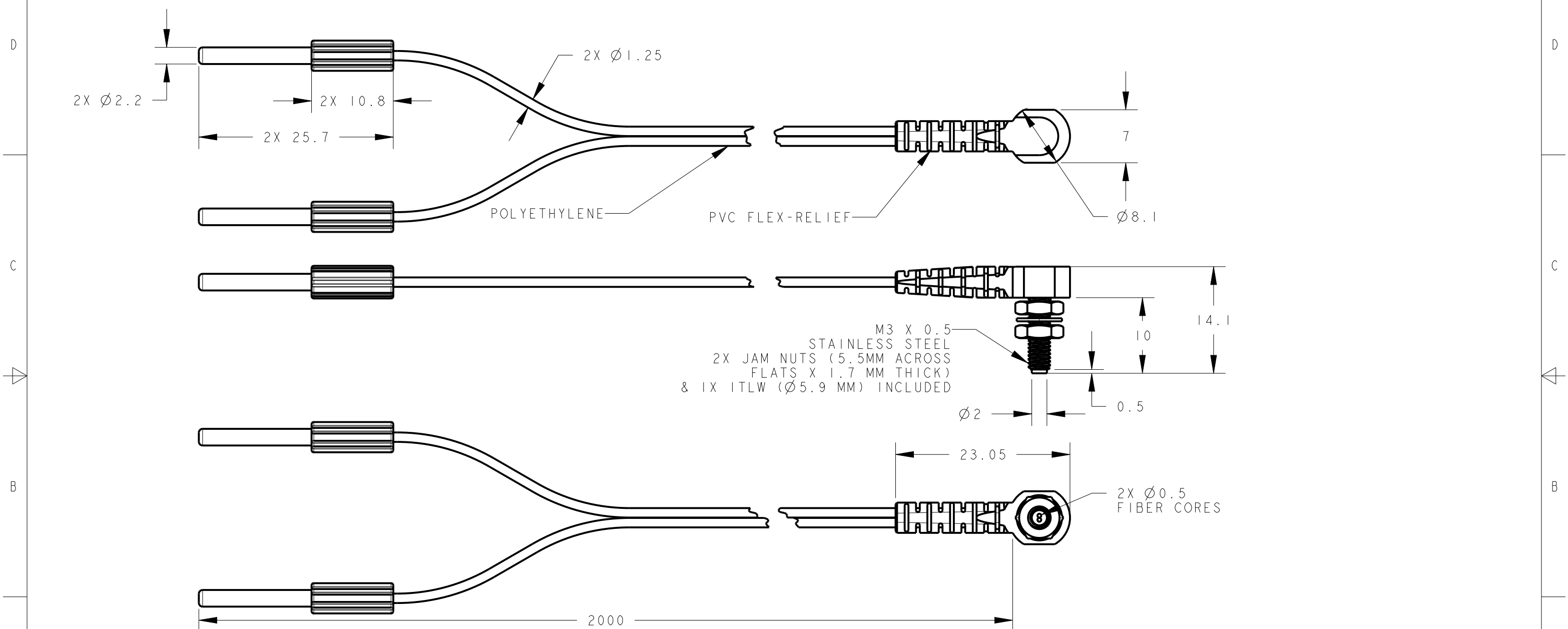


8 | 7 | 6 | 5 | 4 | 3 | 2 | 1

MODEL NO.	P/N
PBAT26UM3TA-VL	97769

NOTE: MAXIMUM OPERATING TEMPERATURE -55 C° - 70 C°.
MINIMUM BEND RADIUS R15. DIMENSIONAL TOLERANCE 5%



M3 X 0.5
STAINLESS STEEL
2X JAM NUTS (5.5MM ACROSS
FLATS X 1.7 MM THICK)
& 1X ITLW (Ø5.9 MM) INCLUDED

This drawing is the property of BANNER ENGINEERING CORP. Any use or reproduction, in any form, without prior written permission of Banner is prohibited. © 2015 Banner Engineering Corp.

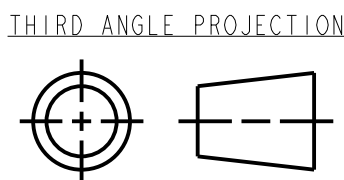
BANNER BANNER ENGINEERING CORP.
www.bannerengineering.com

TITLE
PBAT2 BIFURCATED SERIES UNTERMINATED VL

SIZE B DRAWING NO. **194315** REV. **B**

SCALE 2:1 SHEET 1 OF 1 CREO

NOTES:
1. ALL DIMENSIONS ARE MILLIMETERS [INCHES] UNLESS OTHERWISE NOTED.
2. REFER TO "www.bannerengineering.com" FOR ADDITIONAL DATA AND SPECIFICATIONS.



8 | 7 | 6 | 5 | 4 | 3 | 2 | 1