

THIS DRAWING IS UNPUBLISHED. VERTRÄULICHE UNVERÖFFENTLICHTE ZEICHNUNG. RELEASED FOR PUBLICATION FREI FÜR VERÖFFENTLICHUNG. 2014. MATED WITH: PASSEND ZU: -

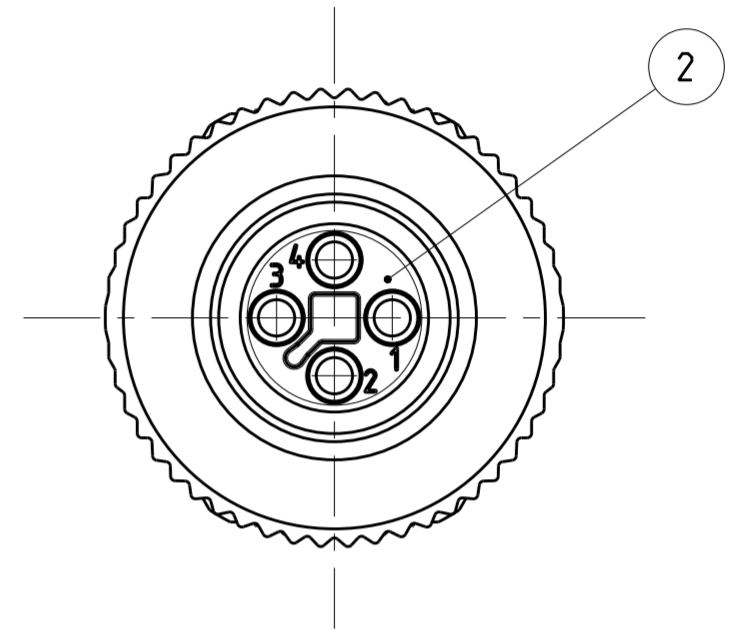
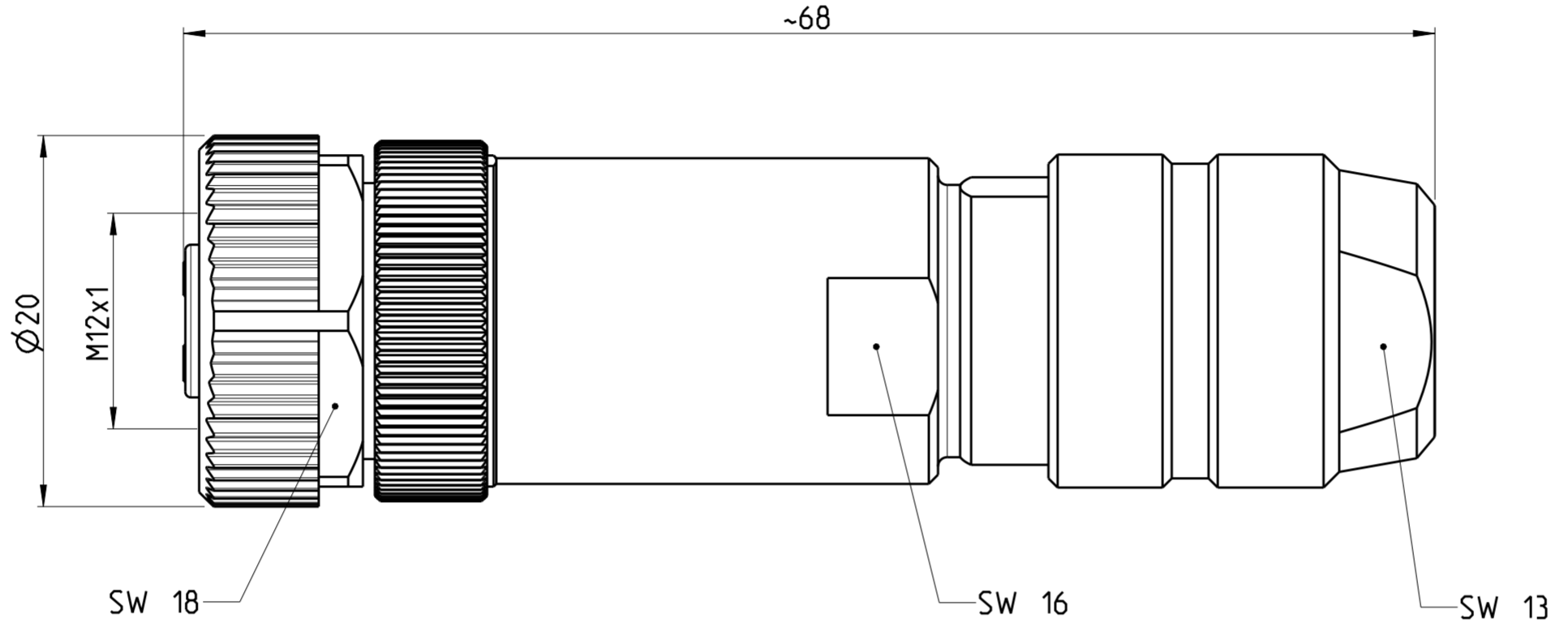
© COPYRIGHT 2014 Tyco Electronics AMP GmbH. ALL RIGHTS RESERVED. ALLE RECHTE VORBEHALTEN.

PROJEKT NR.:		REVISIONS				
P	LTR	ÄNDERUNGEN	DESCRIPTION	DATE	DWN	APVD
	A		NEW DRAWING	13OCT2014	TJ	PS

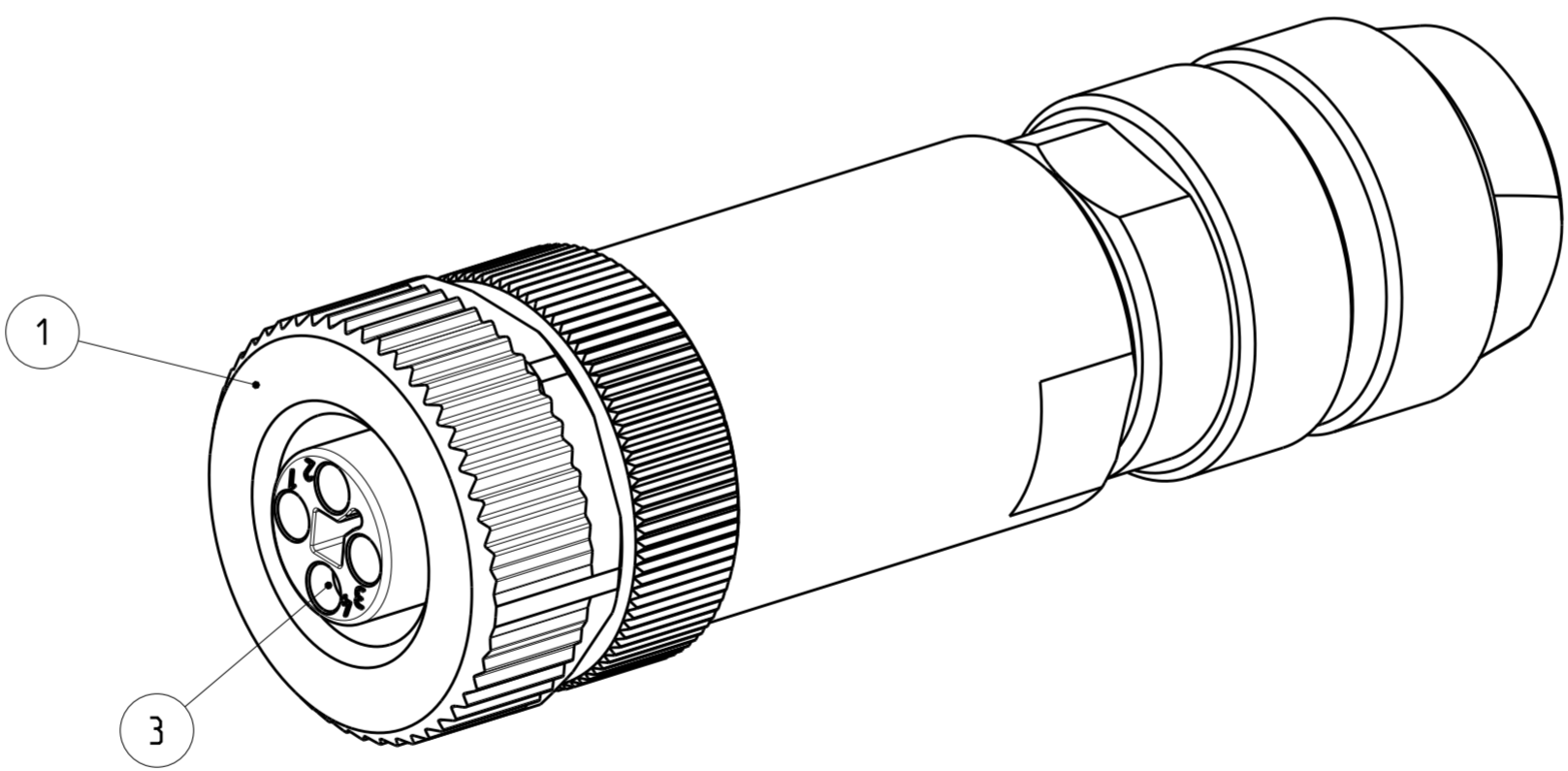
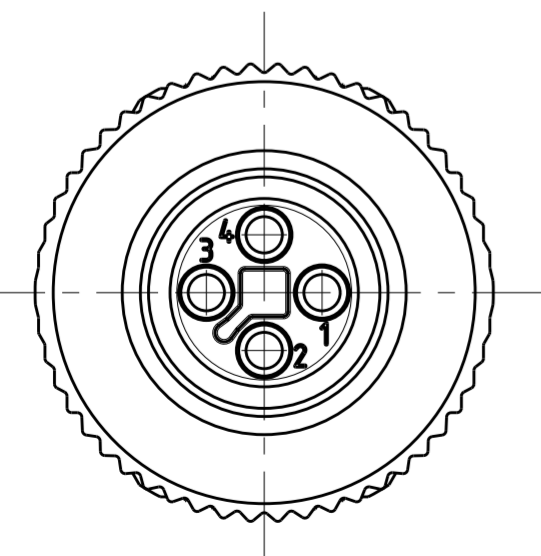
- 1 MATERIAL: ITEM NO. 1: HOUSING - PA  
 ITEM NO. 2: CONTACT BODY - PA  
 ITEM NO. 3: CONTACT - CuSn (BRONZE)  
 CONTACT FINISH - Au (GOLD)

- 2 ALL DIMENSIONS ARE FOR NOMINAL REFERENCE ONLY UNLESS OTHERWISE STATED  
 3 MEASUREMENT REFERENCE ONLY  
 4 PACKAGING: 1 PIECE IN A BAG

TECHNICAL DATA	3-2172097-2
RATED VOLTAGE	60V
RATED IMPULSE VOLTAGE	1500V
POLLUTION DEGREE	3
OVERVOLTAGE CATEGORY	III
MATERIAL GROUP	III
RATED CURRENT	12A
VOLUME RESISTIVITY	≤ 3mΩ
DEGREE OF PROTECTION	IP67
UPPER TEMPERATURE	+85 °C
LOWER TEMPERATURE	-40 °C



PIN ARRANGEMENT  
T-CODING  
3-2172097-2



Ø5-8	16 / 1.50	△	4	3-2172097-2
CABLE FEED-THROUGH mm	WIRES AWG / mm <sup>2</sup>	MATERIAL	NUMBER OF POLES	TE-PART-NO.

DIESE ZEICHNUNG IST EIN KONTROLLIERTES DOKUMENT. BEMASSUNGEN UND TOLERANZEN GEMAESS GPS (ISO STANDARDS).

THIS DRAWING IS A CONTROLLED DOCUMENT. DIMENSIONING AND TOLERANCING PER GPS (ISO STANDARDS).

DIMENSIONS: MASSEINHEITEN: (MM)	TOLERANCES UNLESS OTHERWISE SPECIFIED: ALLGEMEINTOLERANZEN	DWN CHIRASHREE 13OCT2014	TE Connectivity
		CHK THAJUDEEN M 13OCT2014	
		APVD PRASHANTH S 13OCT2014	
		NAME	
PRODUCT SPEC 108-19483 APPLICATION SPEC 114-32127 MATERIAL SEE NOTES DIMENSIONS: SEE NOTES			M12 PLUG, FEMALE, STRAIGHT, SHIELDED, FIELD INSTALLABLE, T-CODED
SEE NOTES		WEIGHT -	RESTRICTED TO NUR FÜR -
SEE NOTES		Customer Drawing	SCALE MASSSTAB 3:1 SHEET BLATT 1 OF 1 REV A

SIZE ISO 14405 (E)