

9 TO 25 CONTACTS : 1.84<sup>+0.1</sup><sub>0</sub>  
 31 TO 51 CONTACTS : 3<sup>0</sup><sub>-0.1</sub>

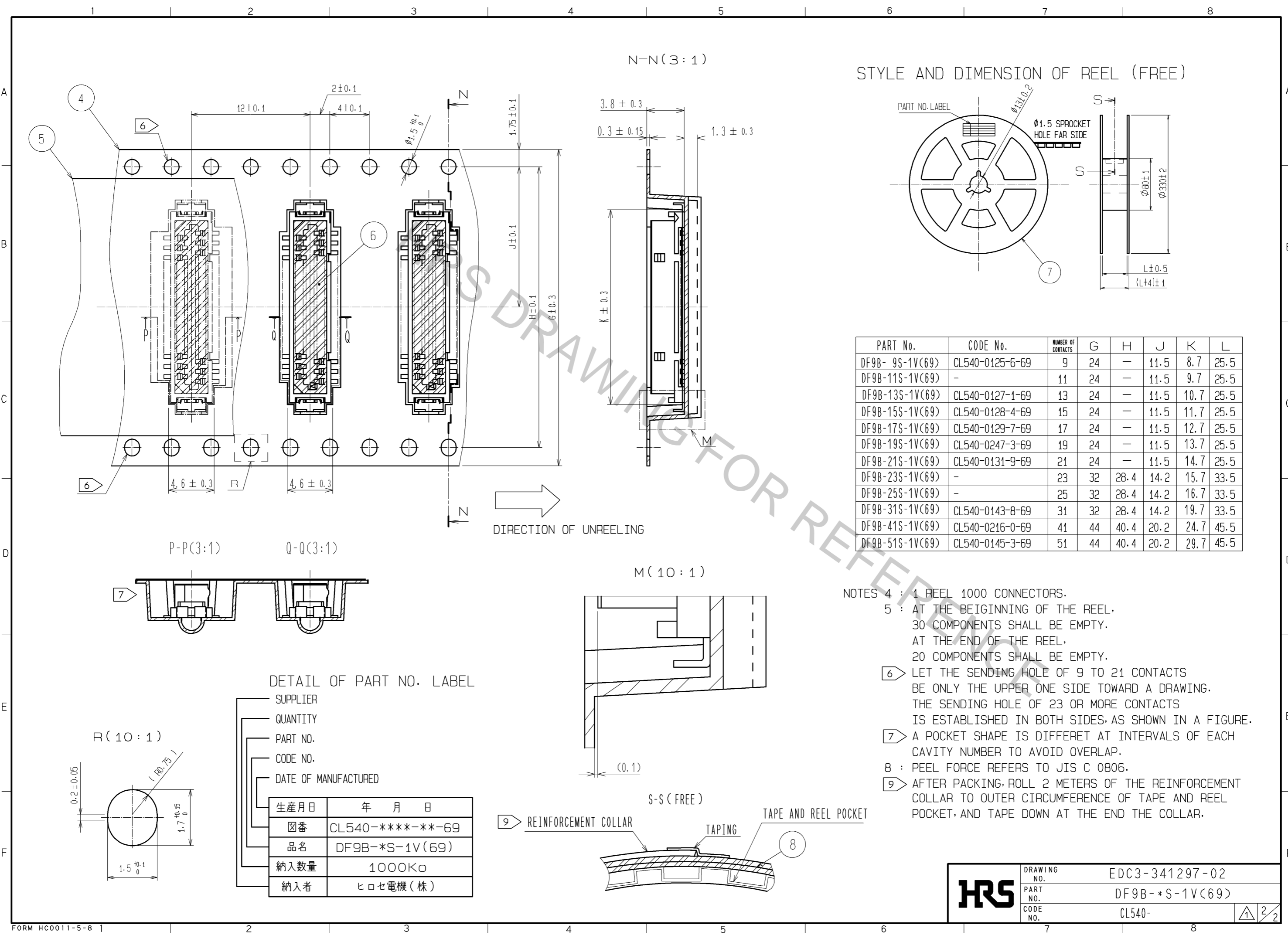
| PART No.        | CODE No.        | NUMBER OF CONTACTS | A    | B    | C    | D  | E  | F    |
|-----------------|-----------------|--------------------|------|------|------|----|----|------|
| DF9B-9S-1V(69)  | CL540-0125-6-69 | 9                  | 10.1 | 8.3  | 6.5  | 3  | 4  | 8.4  |
| DF9B-11S-1V(69) | -               | 11                 | 11.1 | 9.3  | 7.5  | 4  | 5  | 9.4  |
| DF9B-13S-1V(69) | CL540-0127-1-69 | 13                 | 12.1 | 10.3 | 8.5  | 5  | 6  | 10.4 |
| DF9B-15S-1V(69) | CL540-0128-4-69 | 15                 | 13.1 | 11.3 | 9.5  | 6  | 7  | 11.4 |
| DF9B-17S-1V(69) | CL540-0129-7-69 | 17                 | 14.1 | 12.3 | 10.5 | 7  | 8  | 12.4 |
| DF9B-19S-1V(69) | CL540-0247-3-69 | 19                 | 15.1 | 13.3 | 11.5 | 8  | 9  | 13.4 |
| DF9B-21S-1V(69) | CL540-0131-9-69 | 21                 | 16.1 | 14.3 | 12.5 | 9  | 10 | 14.4 |
| DF9B-23S-1V(69) | -               | 23                 | 17.1 | 15.3 | 13.5 | 10 | 11 | 15.4 |
| DF9B-25S-1V(69) | -               | 25                 | 18.1 | 16.3 | 14.5 | 11 | 12 | 16.4 |
| DF9B-31S-1V(69) | CL540-0143-8-69 | 31                 | 21.1 | 19.3 | 17.5 | 14 | 15 | 19.4 |
| DF9B-41S-1V(69) | CL540-0216-0-69 | 41                 | 26.1 | 24.3 | 22.5 | 19 | 20 | 24.4 |
| DF9B-51S-1V(69) | CL540-0145-3-69 | 51                 | 31.1 | 29.3 | 27.5 | 24 | 25 | 29.4 |

NOTES 1 : LEAD CO-PLANARITY INCLUDE REINFORCED METAL FITTINGS SHALL BE 0.1mm MAX.  
 ② HRS MARK AND CAV NO. ARE INDICATED IN APPROX POSITION SHOWN.  
 ③ 9 TO 25 CONTACT CONNECTORS HAVE ONE LOCK AT CENTER OF HOUSING.  
 31 TO 51 CONTACT CONNECTORS HAVE TWO LOCKS AS PER DRAWING.

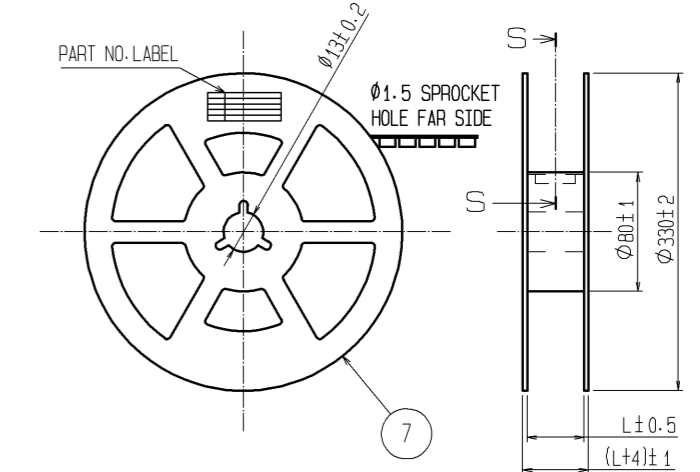
| NO. | MATERIAL        | FINISH   | REMARKS     | NO. | MATERIAL | FINISH | REMARKS                      |
|-----|-----------------|--|-------------|-----|----------|--------|------------------------------|
| 3   | BRASS           | SURFACE:TIN PLATED(REFLOW FINISH)1μm min<br>UNDER PLATING:COPPER 0.3μm min | 8 PS        |     |          |        | REINFORCEMENT COLLAR         |
| 2   | PHOSPHOR BRONZE | CONTACT AREA:GOLD PLATED 0.2μm min   | 7 PS        |     |          |        | BLACK(PLASTIC REEL)          |
|     |                 | LEAD AREA:TIN PLATED 1μm min   | 6 POLYIMIDE |     |          |        | BROWN(HEAT-RESISTANCE TAPE)  |
|     |                 | UNDER PLATING:NICKEL 0.3μm min   | 5 POLYESTER |     |          |        | CLEAR(COVER TAPE)            |
| 1   | POLYAMIDE       | BEIGE, UL94V-0   | 4 PS        |     |          |        | CLEAR(EMBOSSED CARRIER TAPE) |

|                                      |  |                                  |             |  |                       |                          |                  |
|--------------------------------------|--|----------------------------------|-------------|--|-----------------------|--------------------------|------------------|
| UNITS<br>mm                          |  | SCALE<br>5 : 1                   | COUNT<br>   | DESCRIPTION OF REVISIONS<br>DIS-H-006728 | DESIGNED<br>KT. IWAMA | CHECKED<br>AR. TAKAHASHI | DATE<br>12.04.10 |
| <b>HRS</b> HIROSE ELECTRIC CO., LTD. |  | APPROVED : KH. IKEDA 12.01.16    | DRAWING NO. | EDC3-341297-02                           |                       |                          |                  |
|                                      |  | CHECKED : AR. TAKAHASHI 12.01.16 | PART NO.    | DF9B-*S-1V(69)                           |                       |                          |                  |
|                                      |  | DESIGNED : SH. HOSODA 12.01.16   | CODE NO.    | CL540-                                   |                       |                          |                  |
|                                      |  | DRAWN : KR. AJITO 12.01.16       |             |  |                       |                          |                  |



STYLE AND DIMENSION OF REEL (FREE)



| PART No.        | CODE No.        | NUMBER OF CONTACTS | G  | H    | J    | K    | L    |
|-----------------|-----------------|--------------------|----|------|------|------|------|
| DF9B-9S-1V(69)  | CL540-0125-6-69 | 9                  | 24 | -    | 11.5 | 8.7  | 25.5 |
| DF9B-11S-1V(69) | -               | 11                 | 24 | -    | 11.5 | 9.7  | 25.5 |
| DF9B-13S-1V(69) | CL540-0127-1-69 | 13                 | 24 | -    | 11.5 | 10.7 | 25.5 |
| DF9B-15S-1V(69) | CL540-0128-4-69 | 15                 | 24 | -    | 11.5 | 11.7 | 25.5 |
| DF9B-17S-1V(69) | CL540-0129-7-69 | 17                 | 24 | -    | 11.5 | 12.7 | 25.5 |
| DF9B-19S-1V(69) | CL540-0247-3-69 | 19                 | 24 | -    | 11.5 | 13.7 | 25.5 |
| DF9B-21S-1V(69) | CL540-0131-9-69 | 21                 | 24 | -    | 11.5 | 14.7 | 25.5 |
| DF9B-23S-1V(69) | -               | 23                 | 32 | 28.4 | 14.2 | 15.7 | 33.5 |
| DF9B-25S-1V(69) | -               | 25                 | 32 | 28.4 | 14.2 | 16.7 | 33.5 |
| DF9B-31S-1V(69) | CL540-0143-8-69 | 31                 | 32 | 28.4 | 14.2 | 19.7 | 33.5 |
| DF9B-41S-1V(69) | CL540-0216-0-69 | 41                 | 44 | 40.4 | 20.2 | 24.7 | 45.5 |
| DF9B-51S-1V(69) | CL540-0145-3-69 | 51                 | 44 | 40.4 | 20.2 | 29.7 | 45.5 |

- NOTES
- 4 : 1 REEL 1000 CONNECTORS.
  - 5 : AT THE BEGGINING OF THE REEL, 30 COMPONENTS SHALL BE EMPTY. AT THE END OF THE REEL, 20 COMPONENTS SHALL BE EMPTY.
  - 6 LET THE SENDING HOLE OF 9 TO 21 CONTACTS BE ONLY THE UPPER ONE SIDE TOWARD A DRAWING. THE SENDING HOLE OF 23 OR MORE CONTACTS IS ESTABLISHED IN BOTH SIDES, AS SHOWN IN A FIGURE.
  - 7 A POCKET SHAPE IS DIFFERET AT INTERVALS OF EACH CAVITY NUMBER TO AVOID OVERLAP.
  - 8 : PEEL FORCE REFERS TO JIS C 0806.
  - 9 AFTER PACKING, ROLL 2 METERS OF THE REINFORCEMENT COLLAR TO OUTER CIRCUMFERENCE OF TAPE AND REEL POCKET, AND TAPE DOWN AT THE END THE COLLAR.

DETAIL OF PART NO. LABEL

- SUPPLIER
- QUANTITY
- PART NO.
- CODE NO.
- DATE OF MANUFACTURED

|      |                  |
|------|------------------|
| 生産月日 | 年 月 日            |
| 箱番   | CL540-****-**-69 |
| 品名   | DF9B-*S-1V(69)   |
| 納入数量 | 1000K0           |
| 納入者  | ヒロセ電機(株)         |

|            |             |                |
|------------|-------------|----------------|
| <b>HRS</b> | DRAWING NO. | EDC3-341297-02 |
|            | PART NO.    | DF9B-*S-1V(69) |
|            | CODE NO.    | CL540-         |