

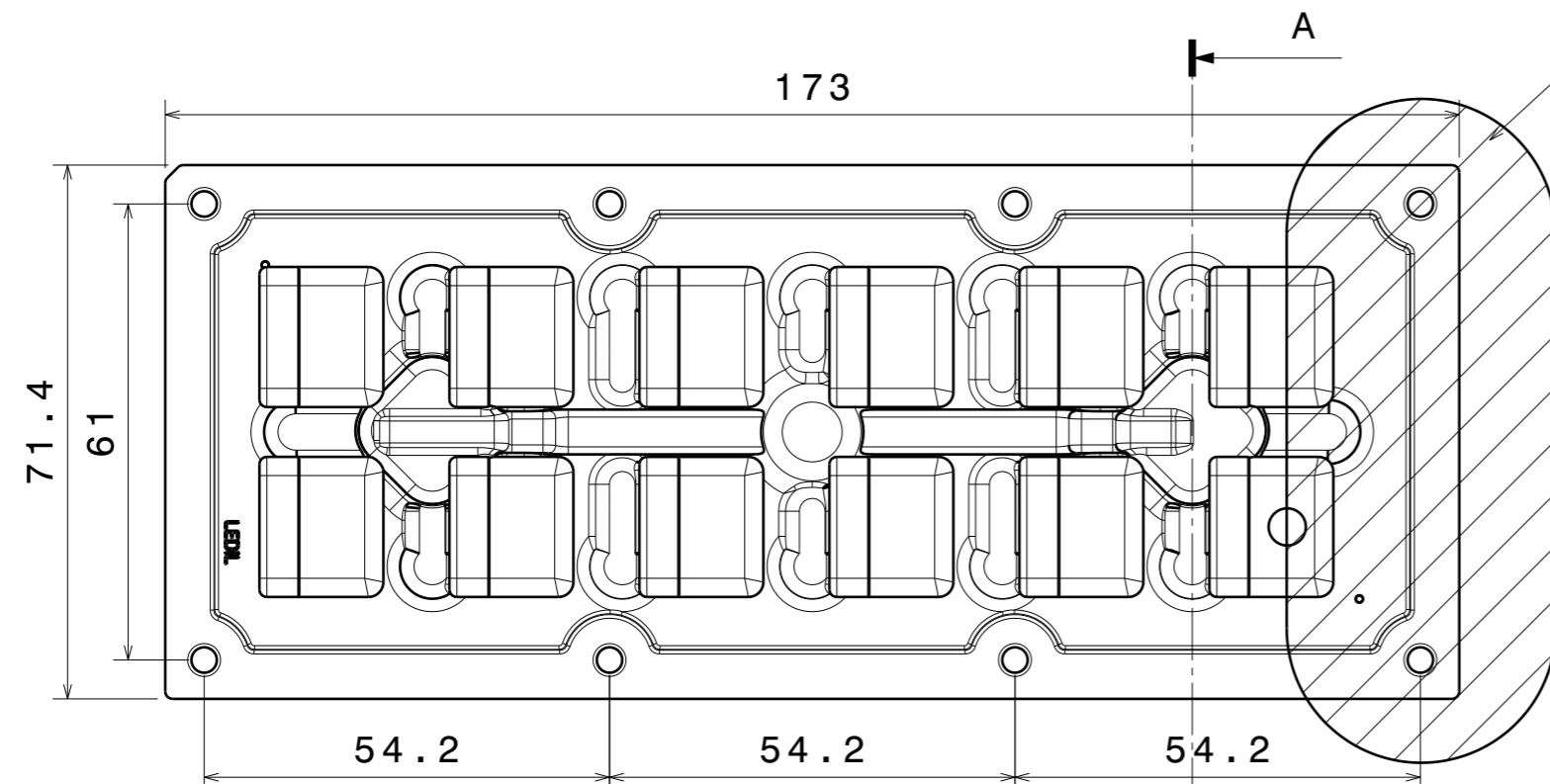
DETAILS

Product Number	CS15363_STRADA-IP-2X6-T2-B
Family	Strada
Type	Assembly
Color	clear
Diameter	71,4x173 mm
Height	12,03 mm
Style	rectang
Optic Material	PMMA
Holder Material	
Fastening	screw
Status	production ready
ROHS Compliant	Yes
Date Updated	8/09/2016

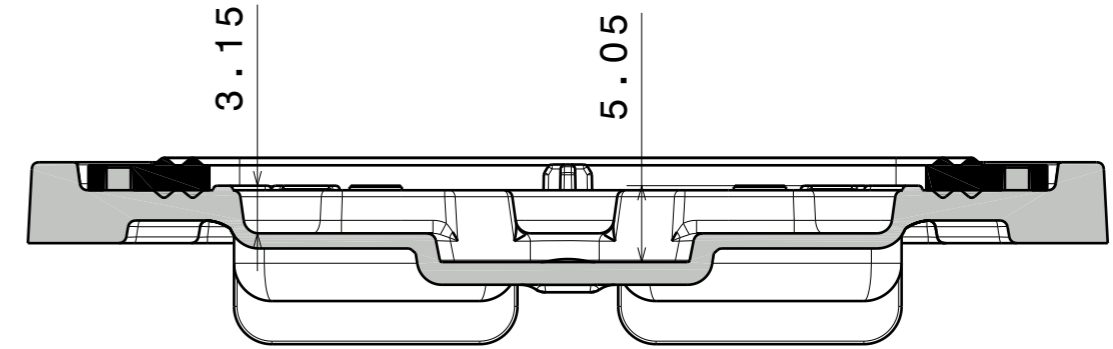


OPTICAL PROPERTIES

LED	Viewing	Light	Effi-	cd/lm	Connector
	Angle	Beam	ciency		
XT-E	Asymmetric deg	Asymmetric	94 %	0.980	-
XP-L	Asymmetric deg	Asymmetric	94 %	0.770	-
XP-G2	Asymmetric deg	Asymmetric	95 %	1.100	-
XP-G	sim: Asymmetric	Asymmetric	sim: 95 %	-	-
XHP35 HD	sim: Asymmetric	Asymmetric	sim: 95 %	-	-
XM-L2	sim: Asymmetric	Asymmetric	sim: 95 %	-	-
XHP35 HI	sim: Asymmetric	Asymmetric	sim: 96 %	-	-
XP-L2	Asymmetric deg	Asymmetric	94 %	0.730	-
LUXEON Z ES	sim: Asymmetric	Asymmetric	sim: 96 %	-	-
LUXEON Rebel ES	sim: Asymmetric	Asymmetric	sim: 96 %	-	-
LUXEON R	sim: Asymmetric	Asymmetric	sim: 96 %	-	-
LUXEON TX	sim: Asymmetric	Asymmetric	sim: 96 %	-	-
LUXEON T	sim: Asymmetric	Asymmetric	sim: 96 %	-	-
LUXEON T	Asymmetric deg	Asymmetric	94 %	1.000	-
NVSxx19B/NVSxx19C	sim: Asymmetric	Asymmetric	sim: 93 %	sim: 0.740	-
Oslon Square PC	sim: Asymmetric	Asymmetric	sim: 95 %	-	-
Duris S8	sim: Asymmetric	Asymmetric	sim: 95 %	-	-
LH351Z	sim: Asymmetric	Asymmetric	sim: 96 %	-	-
LH351B	sim: Asym	Asymmetric	sim: 94 %	sim: 0.800	-
LH351D	sim: Asym	Asymmetric	sim: 94 %	sim: 0.710	-
Z5M	sim: Asymmetric	Asymmetric	sim: 95 %	-	-
Z5M1/Z5M2	sim: Asymmetric	Asymmetric	sim: 91 %	sim: 1.000	-
Z8Y22P	Asymmetric deg	Asymmetric	94 %	0.840	-

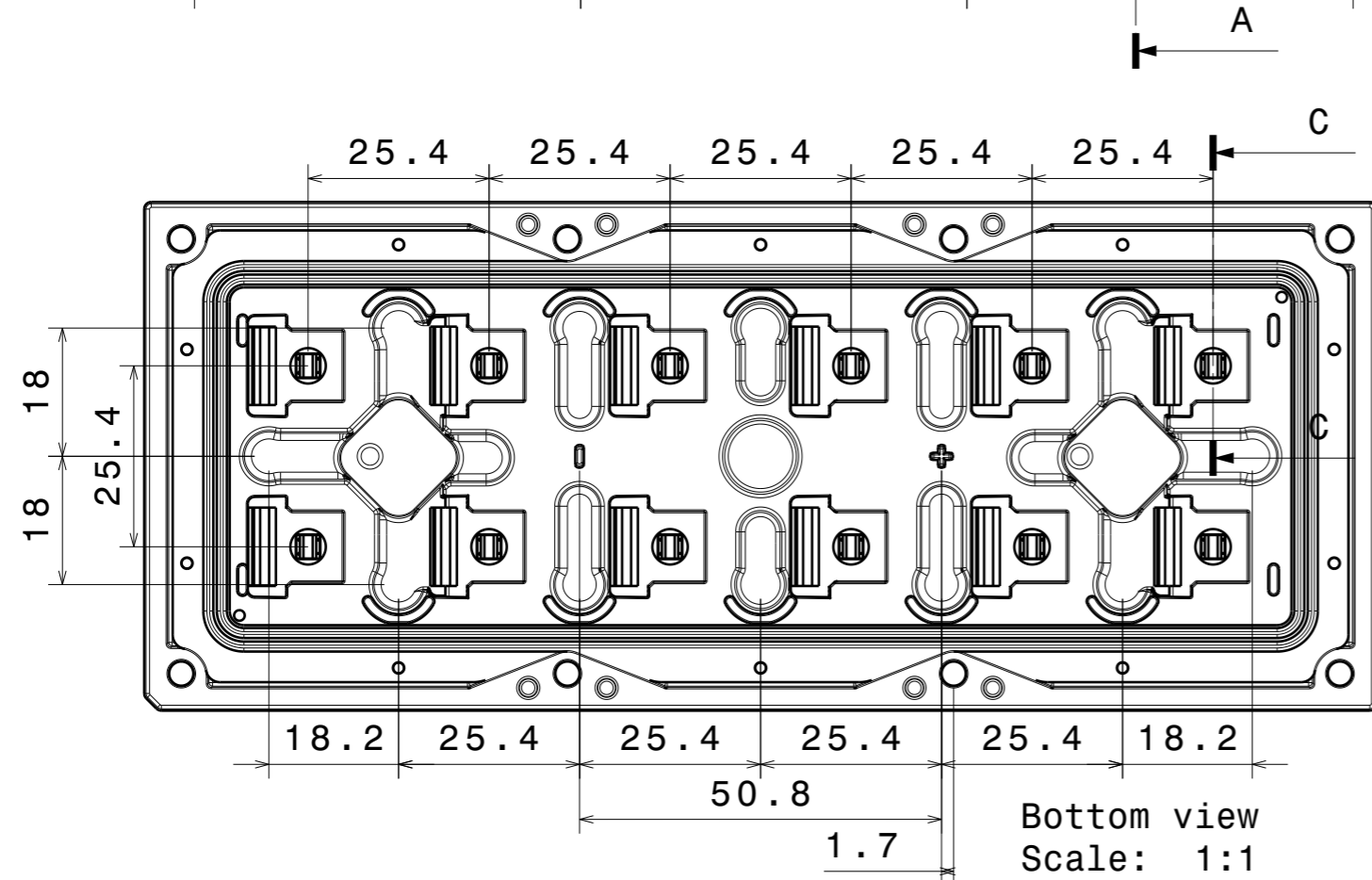


Beam direction



Pockets for wiring and screws

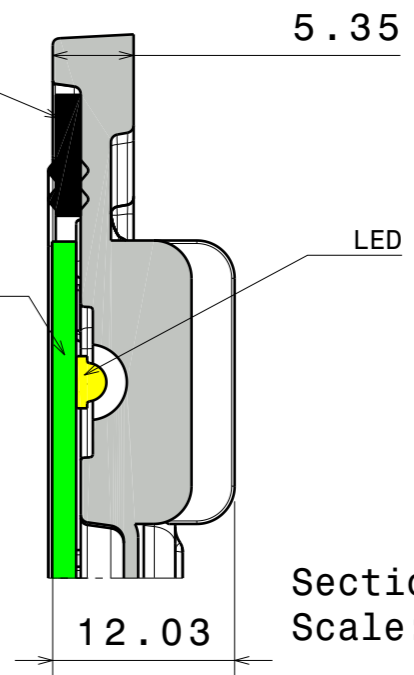
Section view A-A
Scale: 2:1



Top view
Scale: 1:1

Silicon seal with ribs

1,6mm thick PCB



Section view C-C
Scale: 2:1

INDEX	PART NO	DESCRIPTION	MATERIAL	COLOUR
1	C15361	STRADA-IP-2X6-T2-B	PMMA	Clear
2	C14018	2X6-SEAL25	Silicone	White

Tolerances if not otherwise shown
According to DIN ISO 2768-1
Linear measures:
Up to 30mm class M, otherwise class C.
According to DIN ISO 2768-2
Form and position: class L

LEDiL LediL Oy
Salorankatu 10
FIN 24240 SALO
Finland

THIRD ANGLE PROJECTION:

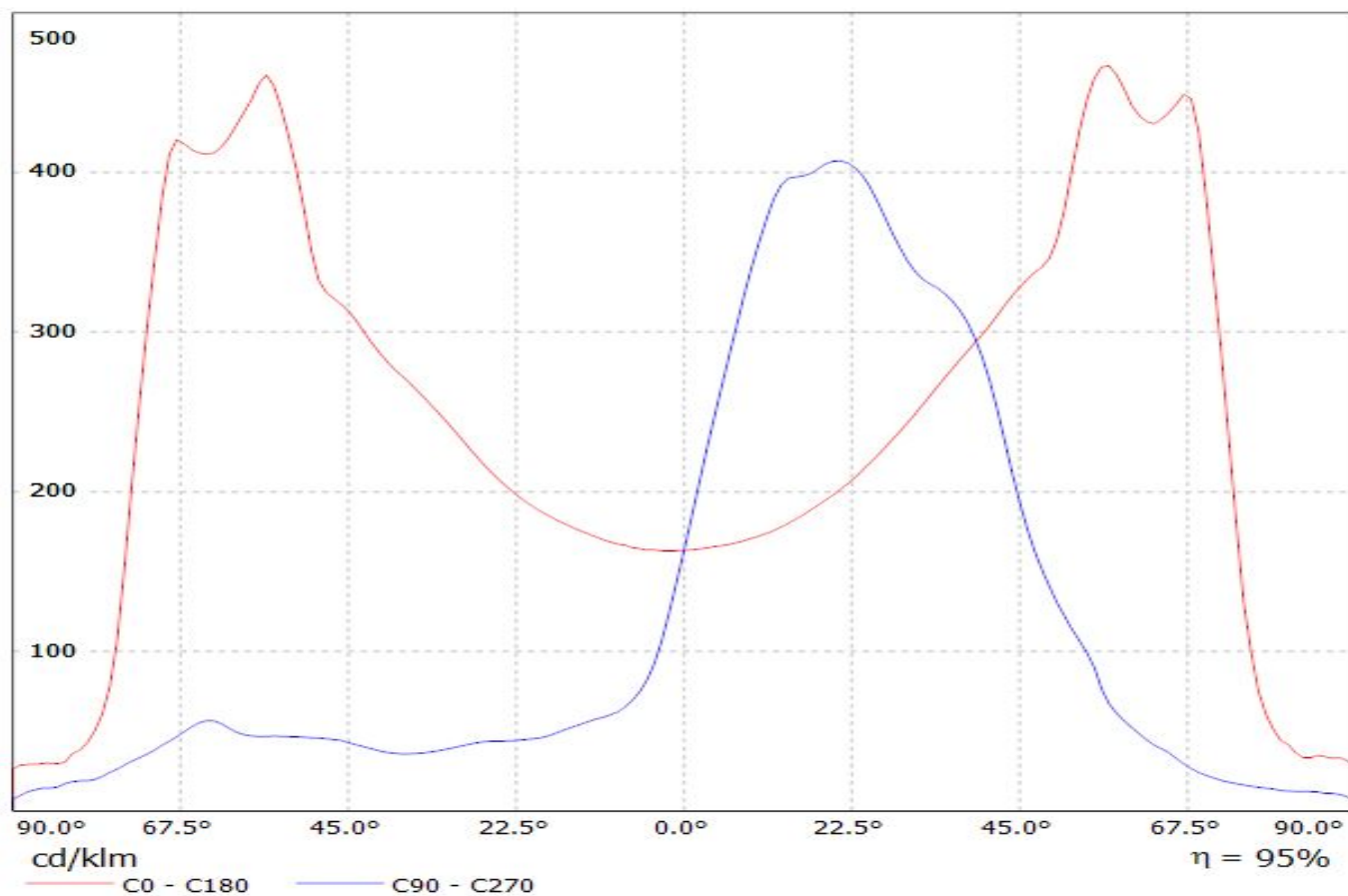
DRAWING TITLE
CS15363_STRADA-IP-2X6-T2-B

This drawing is the property of LEDiL Oy. It may not be reproduced, copied or communicated without a written agreement with LEDiL Oy.

SIZE PART NUMBER
A3 CS15363

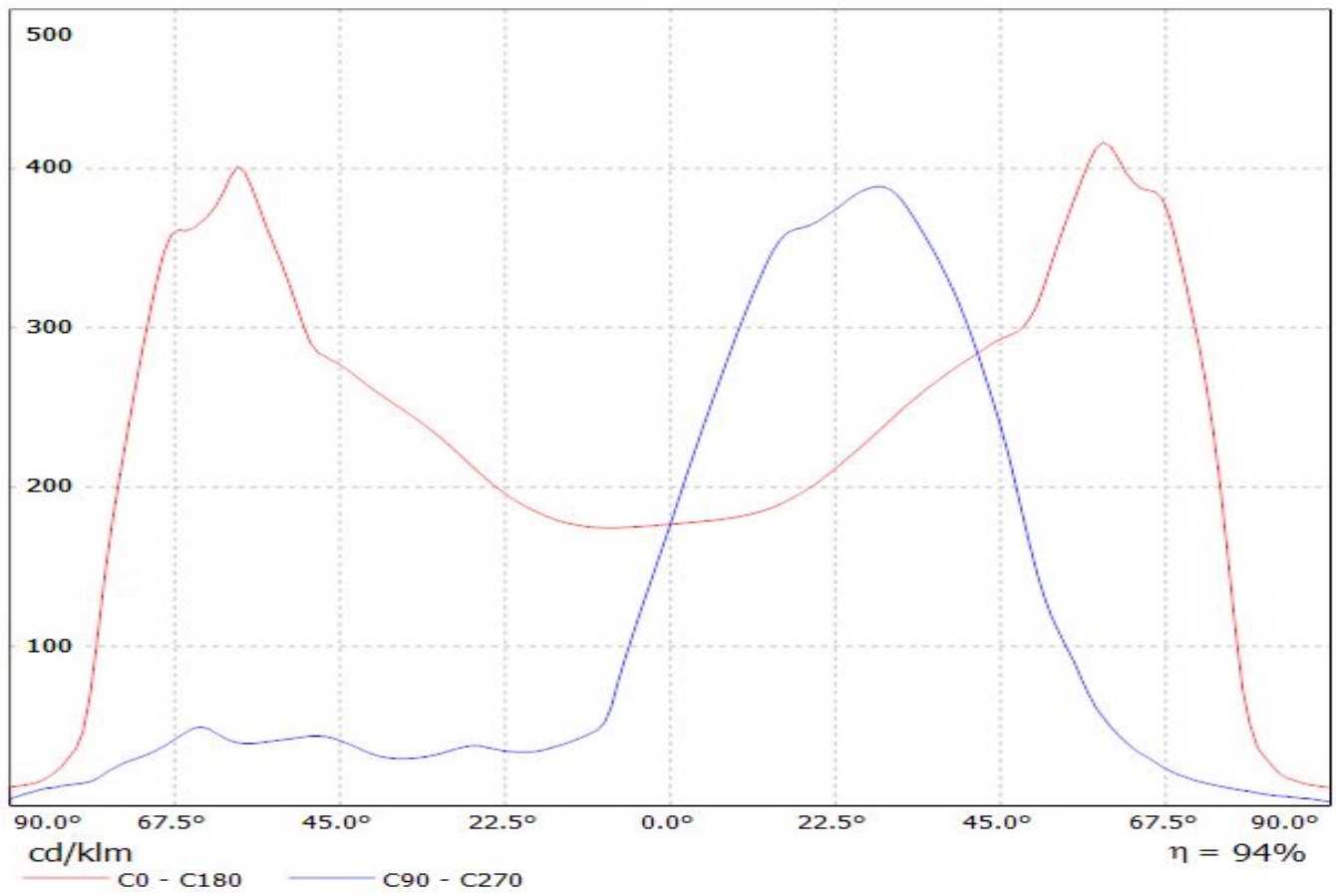
SCALE 1:1 WEIGHT SHEET 1/1

Luminaire: Ledil CS15363_STRADA-IP-2X6-T2-B_(XT-E)
Lamps: 1 x Cree_XT-E_1280.48lm@250mA_P=8.94575W_I=0.250A

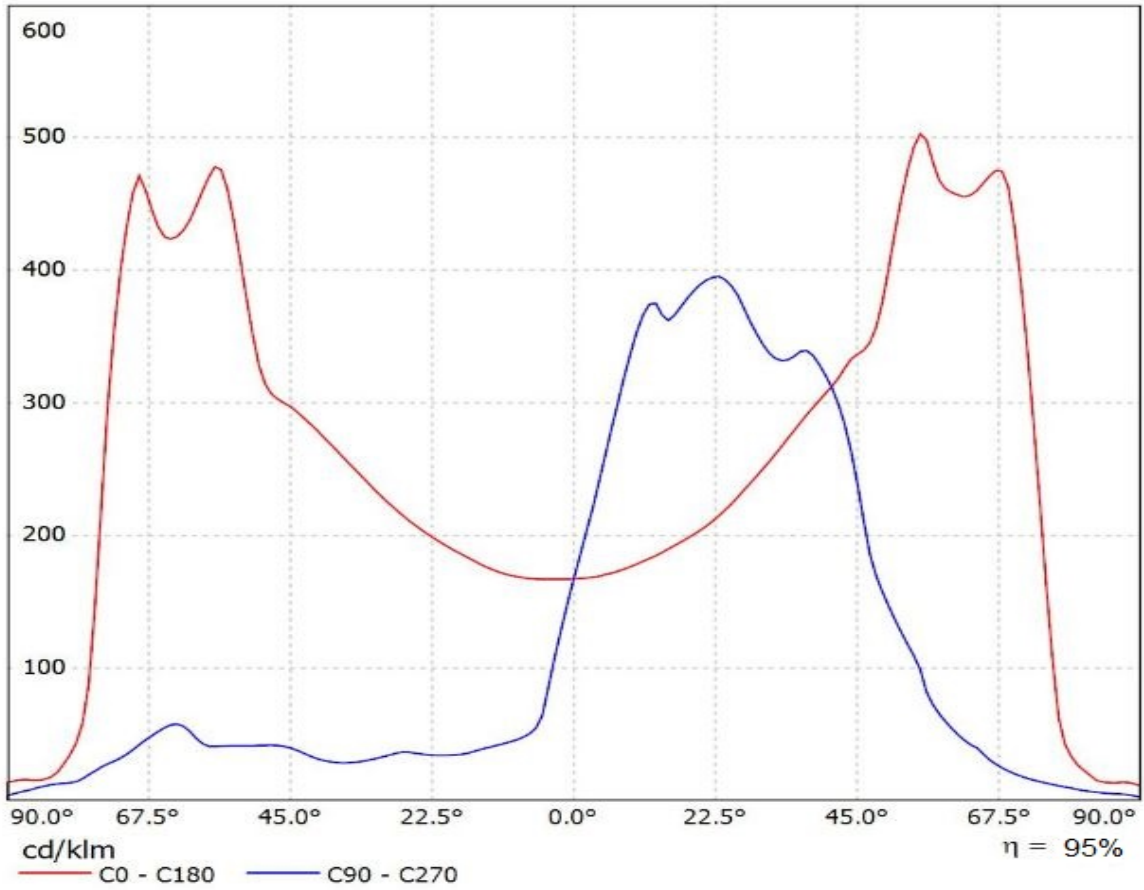


Luminaire: LEDiL Oy CS15363_STRADA-IP-2X6-T2-B_(XP-L)

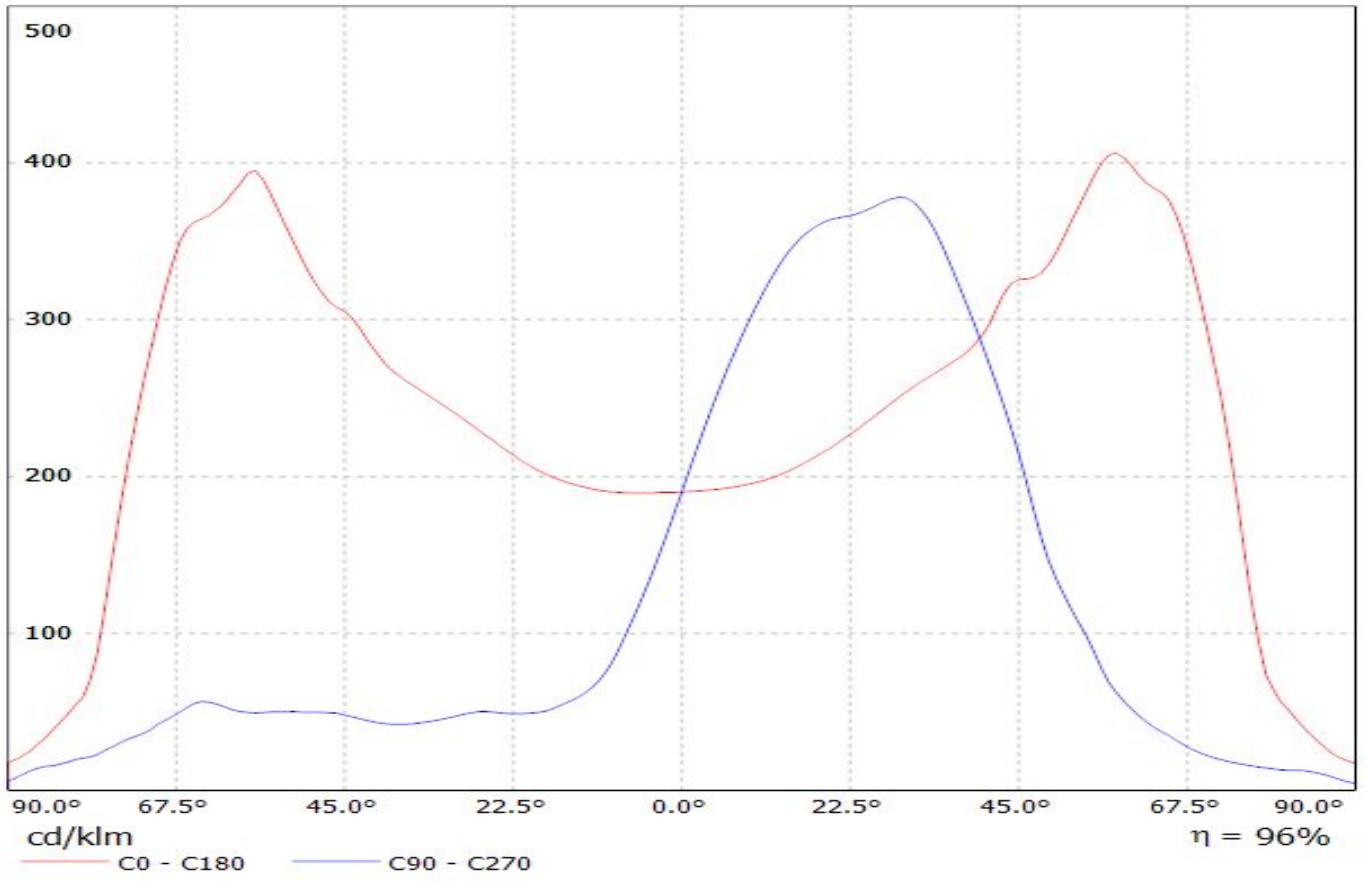
Lamps: 1 x Cree_XP-L_(XPLAWT-0-7A3-U50-0H-0001)_1258.85lm@250mA_P=8.27562W_I=0.250A



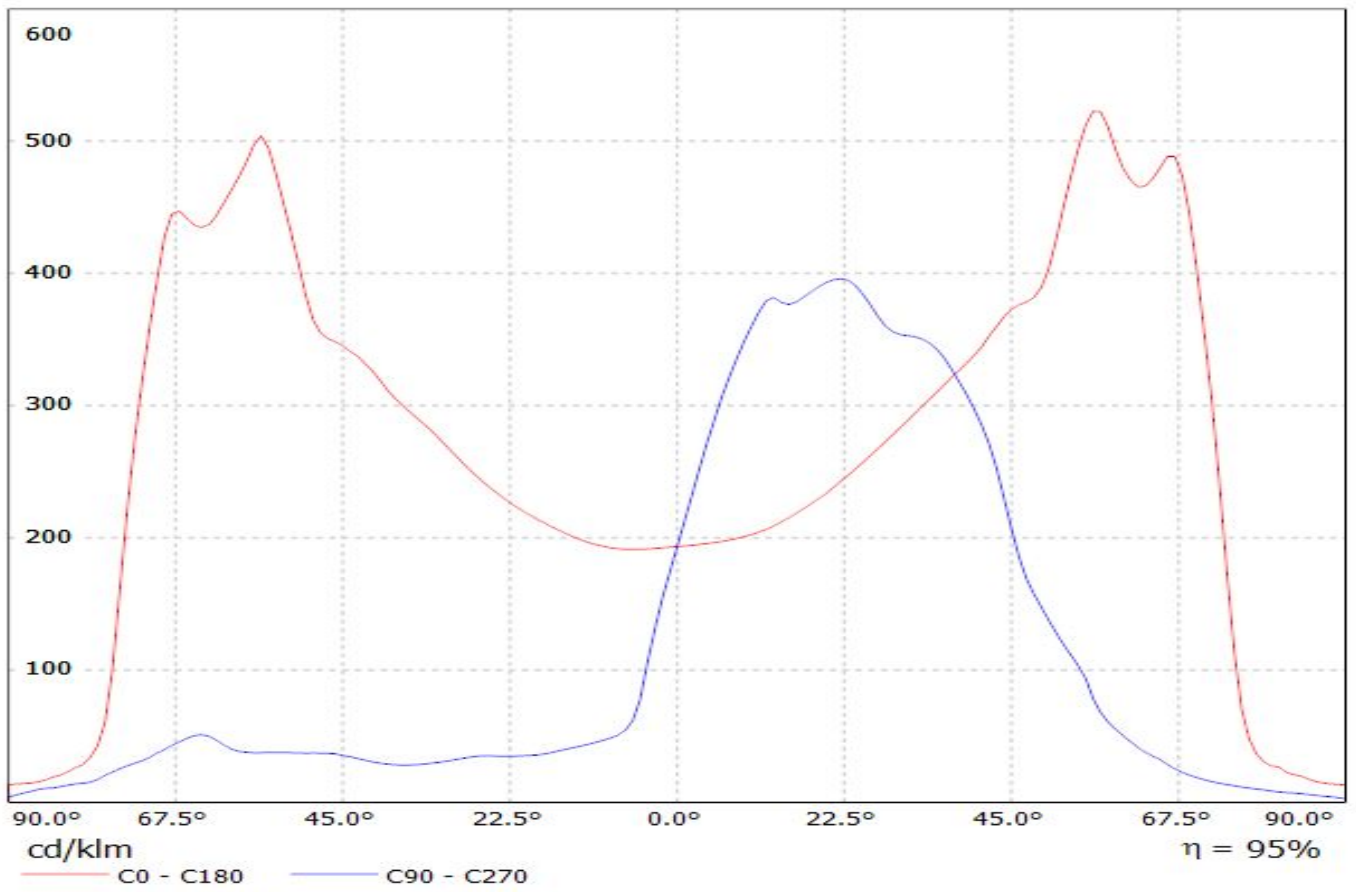
Luminaire: Ledil CS15363_STRADA-IP-2X6-T2-B_(XP-G2)_Cav2 Cree_XP-G2_x12_1265.54lm@250mA_P=8.6517W_I=0.25A
Lamps: 1 x Cree_XP-G2_x12_1265.54lm@250mA_P=8.6517W_I=0.25A



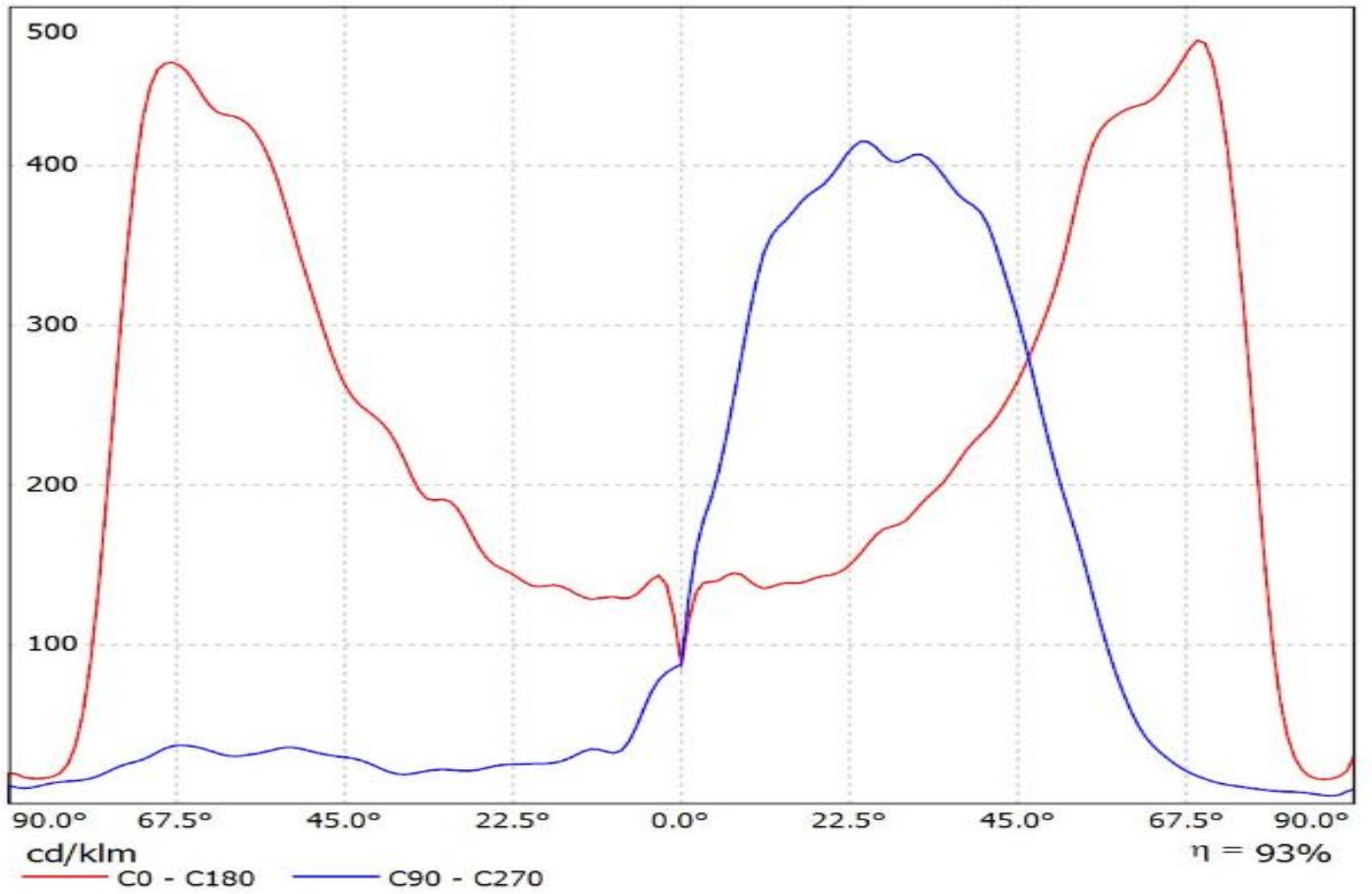
Luminaire: Ledil CS15363_STRADA-IP-2X6-T2-B_(XP-L2)
Lamps: 1 x Cree_XP-L2x12_(XPGBWT-H1-3B0-R5-0-01)
1666.32lm@250mA_CCT=5000_P=8.239W_I=0.25A



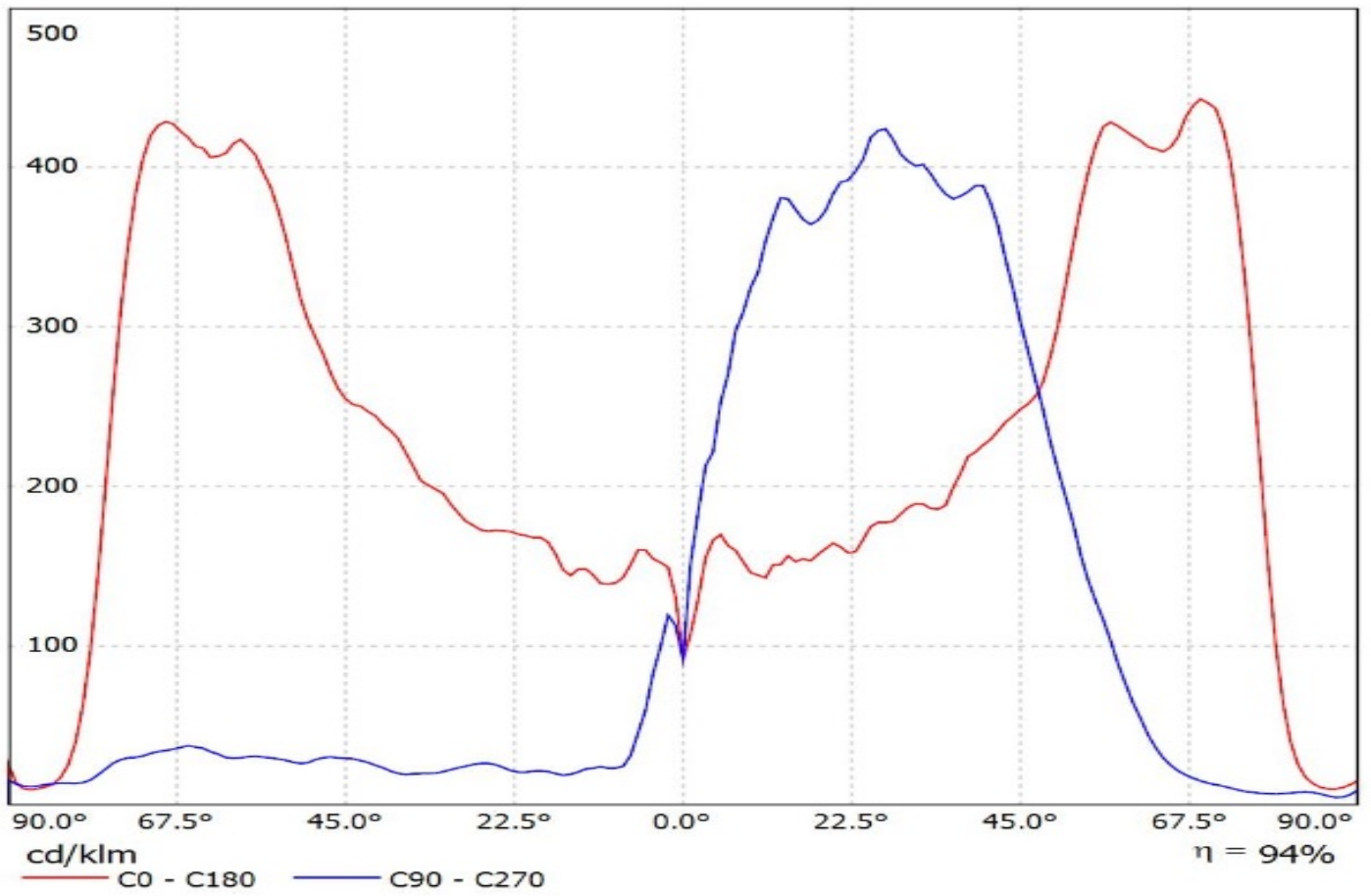
Luminaire: LEDiL Oy CS15363_STRADA-IP-2X6-T2-B_(Luxeon_T)
Lamps: 1 x Luxeon_T_(LXH8-FW30)_1040.41lm@250mA_P=8.49754W_I=0.250A



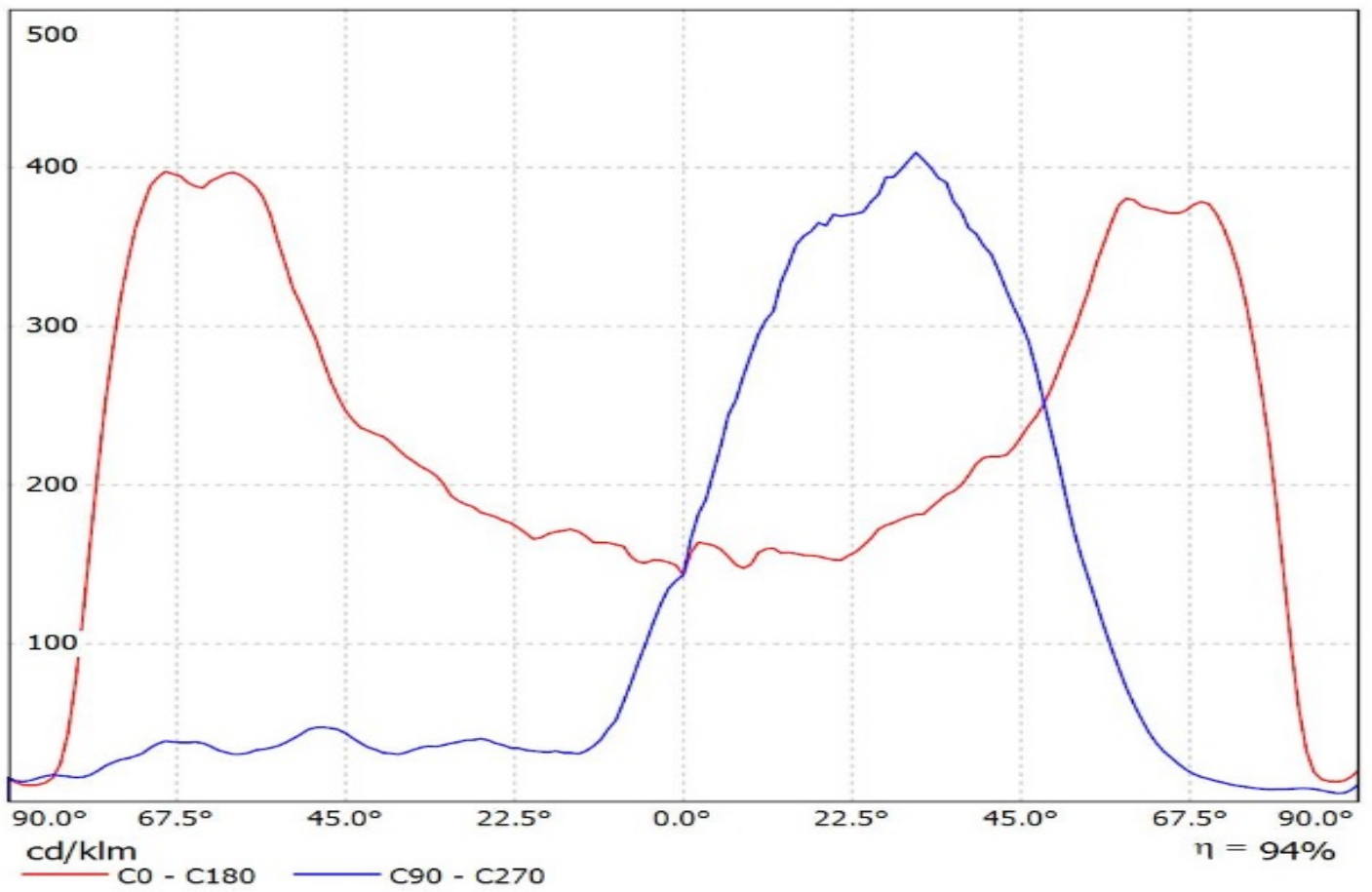
Luminaire: Ledil Oy CS15363_STRADA-IP-2X6-T2-B_NICHIA_NVSW219C_SIMULATED
Lamps: 1 x NICHIA NVSW219C



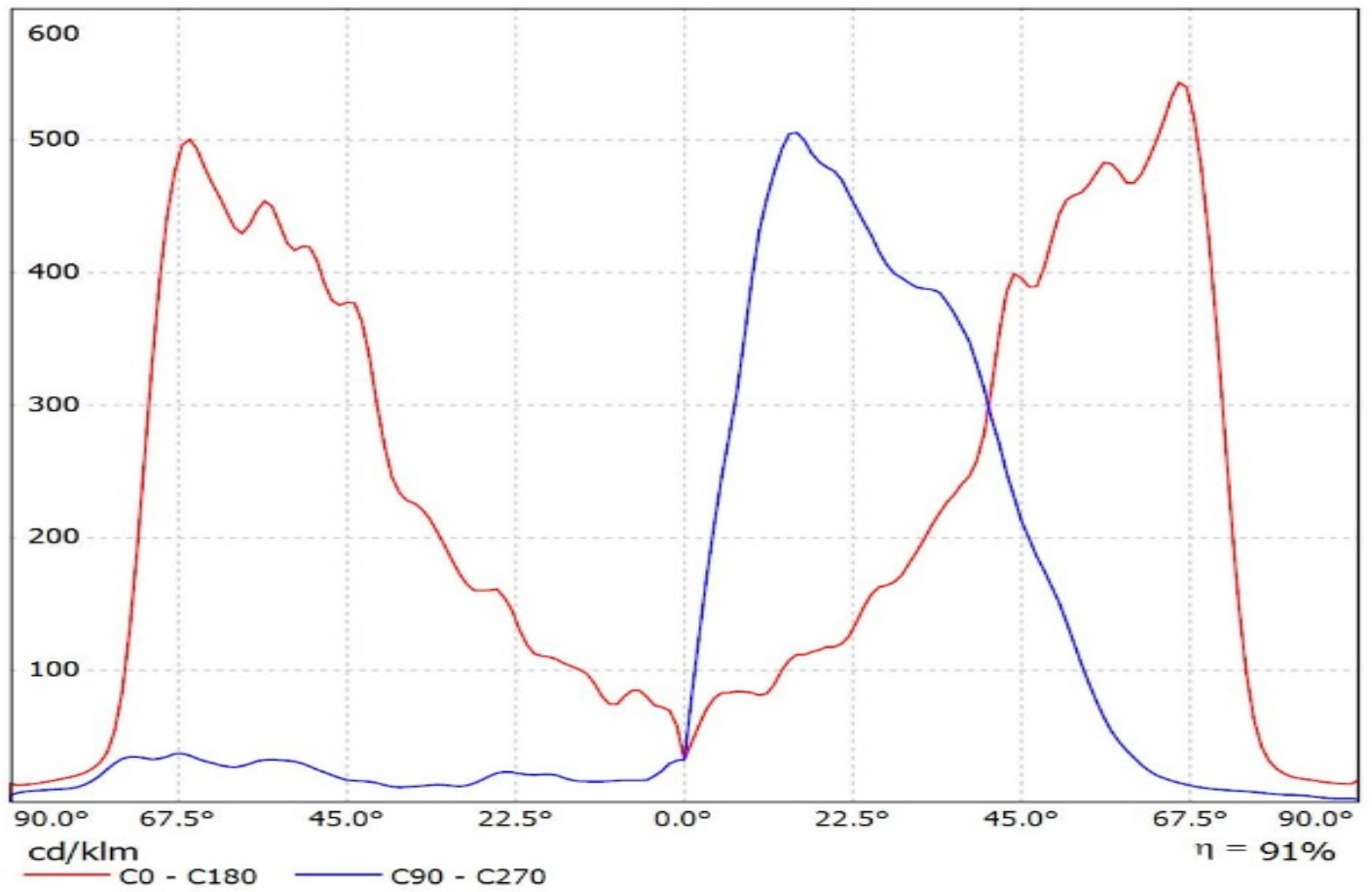
Luminaire: Ledil Oy CS15363_STRADA-IP-2X6-T2-B_(LH351B)_SIMULATED
Lamps: 1 x Samsung LH351B



Luminaire: Ledil Oy CS15363_STRADA-IP-2X6-T2-B_(LH351D)_SIMULATED
Lamps: 1 x Samsung LH351D

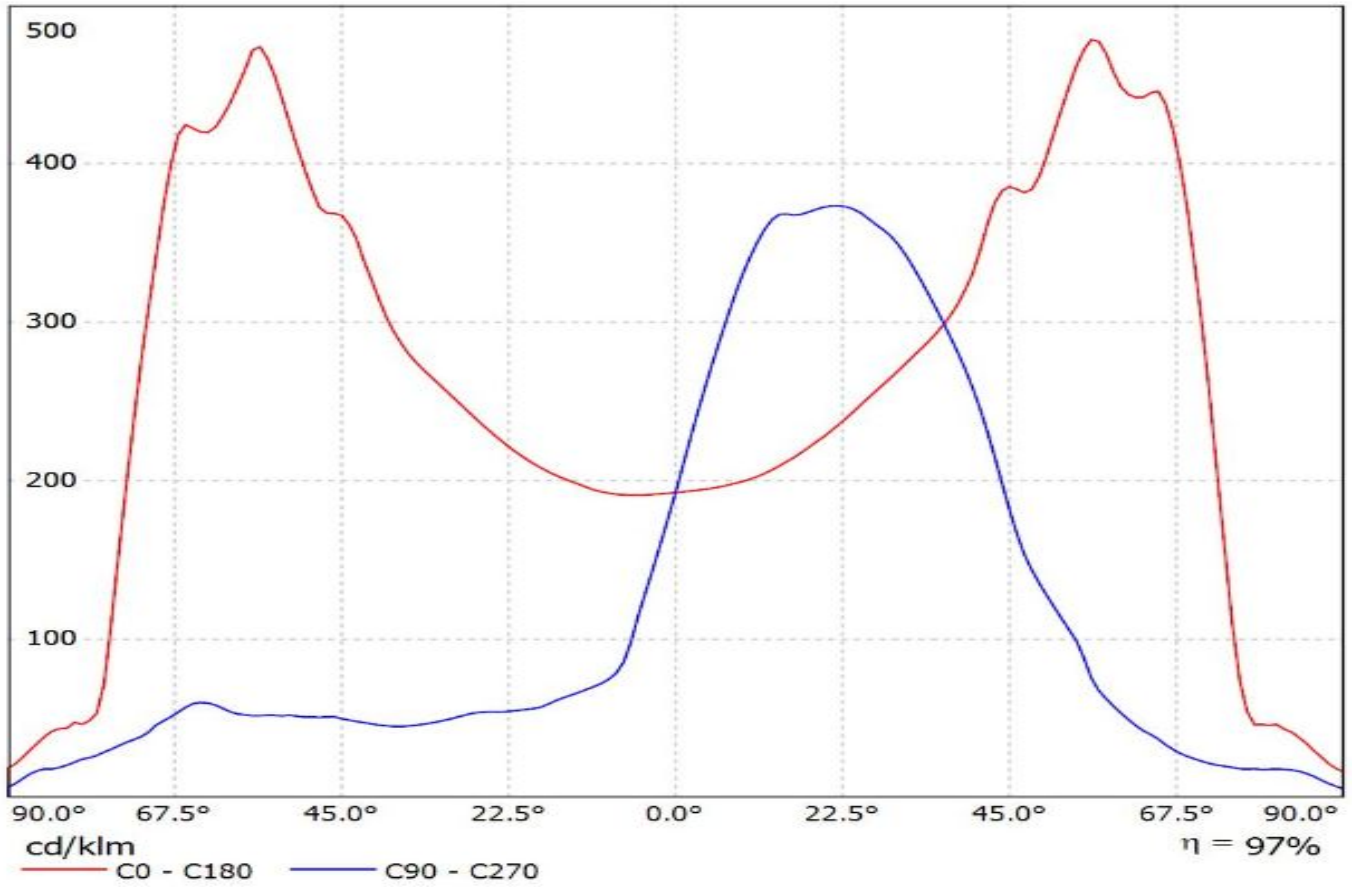


Luminaire: Ledil Oy PRELIMINARY_CS15363_STRADA-IP-2X6-T2-B_(Z5M1)_SIMULATED
Lamps: 1 x Seoul Z5M1



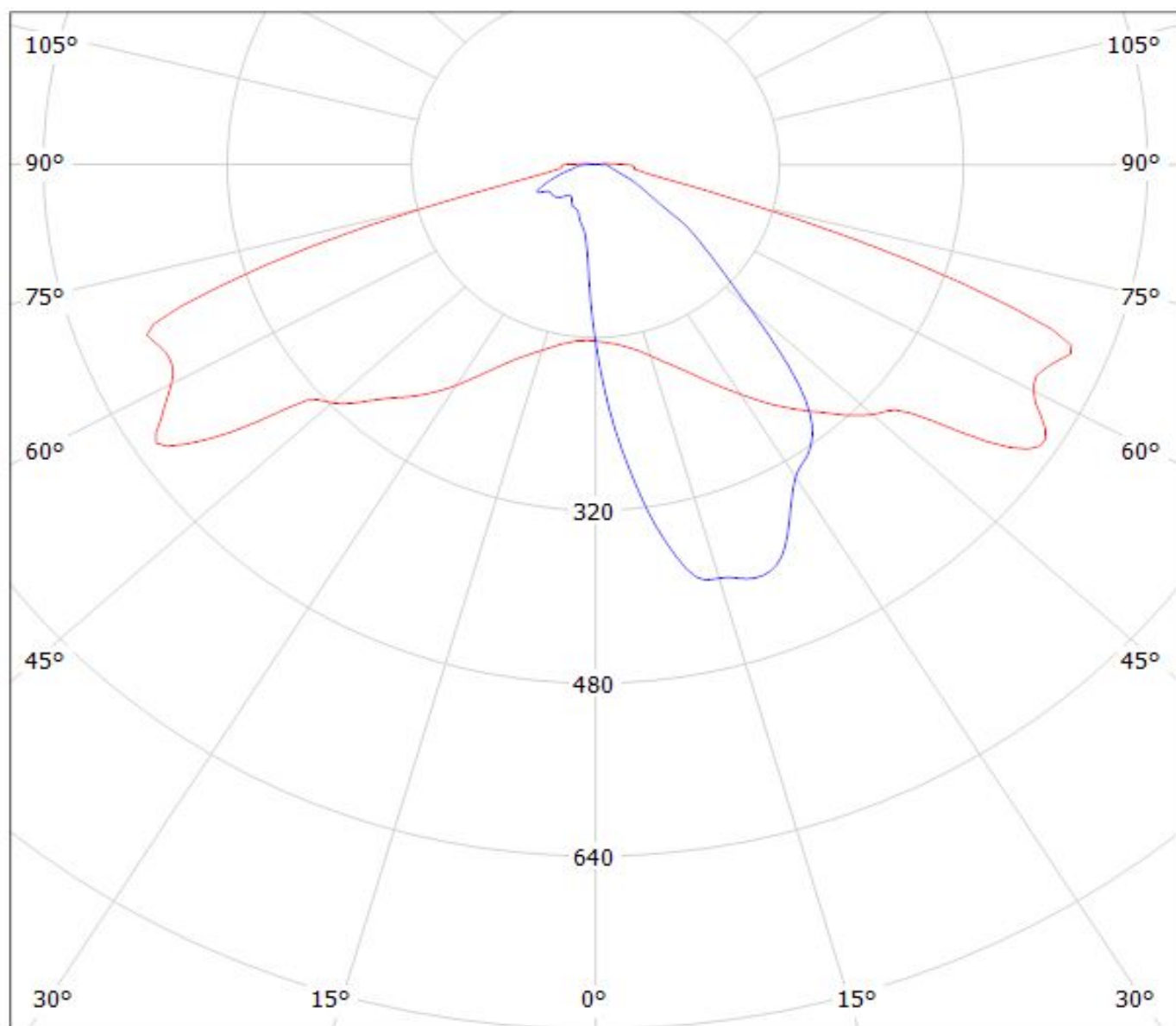
Luminaire: Ledil CS15363_STRADA-IP-2X6-T2-B_(Z8Y22_PLUS)

Lamps: 1 x Seoul_Z8Y22_PLUS_2X6_(SZ8-Y22-W0-C7P)1489.65lm@250mA_P=8.30675W_I=0.250A



Luminaire: Ledil CS15363_STRADA-IP-2X6-T2-B_(XT-E)

Lamps: 1 x Cree_XT-E_1280.48lm@250mA_P=8.94575W_I=0.250A



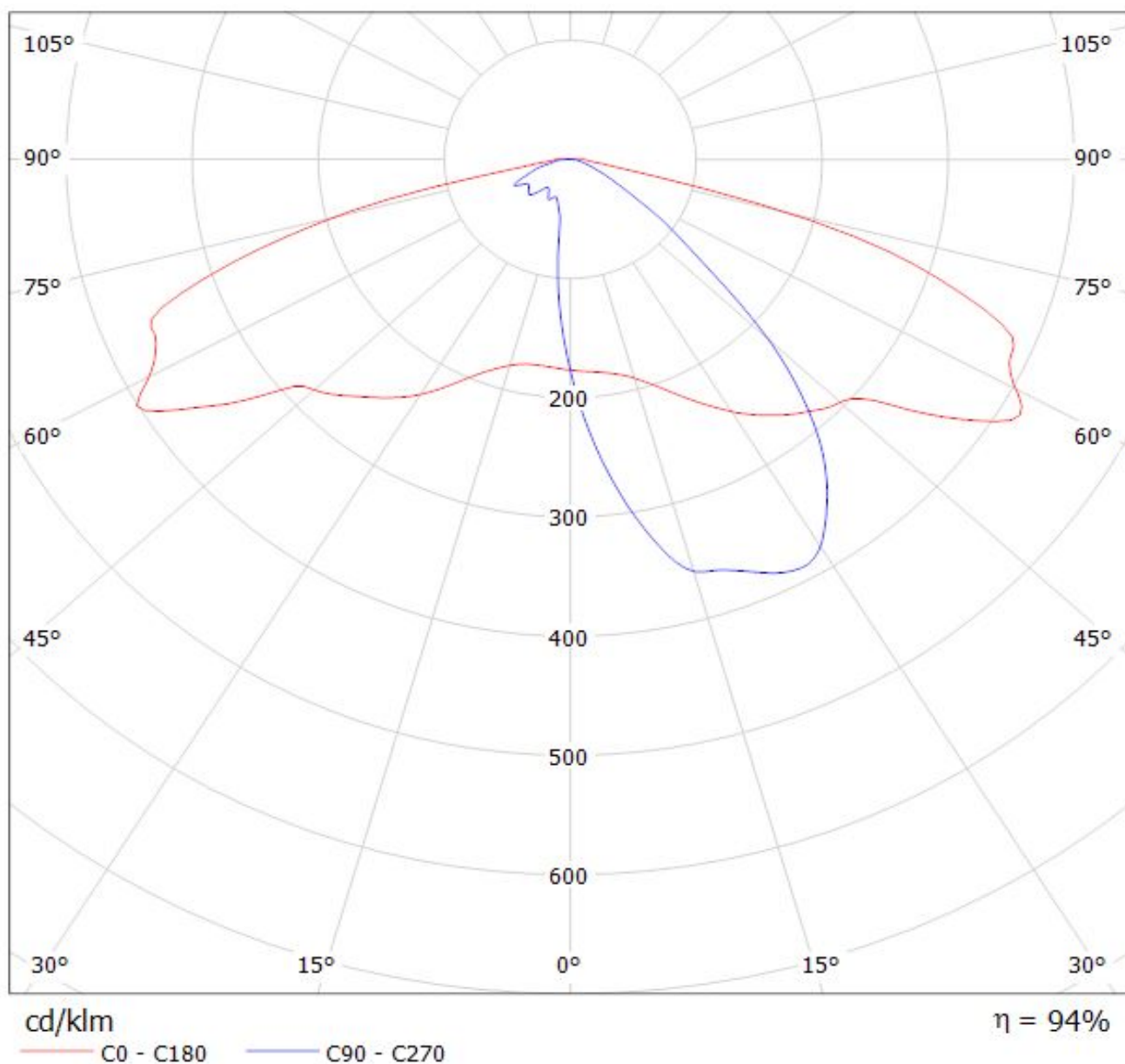
cd/klm

— C0 - C180 — C90 - C270

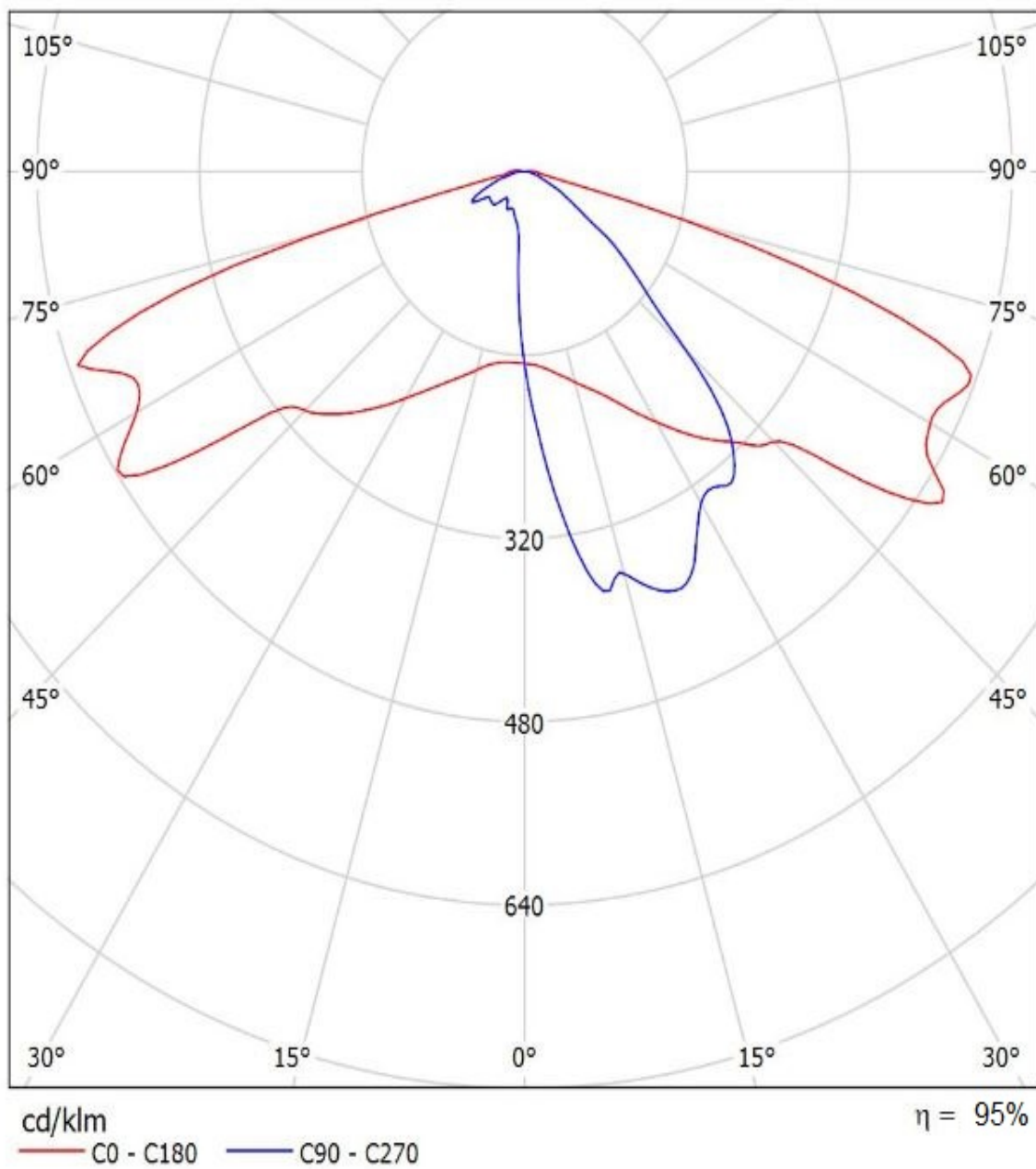
$\eta = 95\%$

Luminaire: LEDiL Oy CS15363_STRADA-IP-2X6-T2-B_(XP-L)

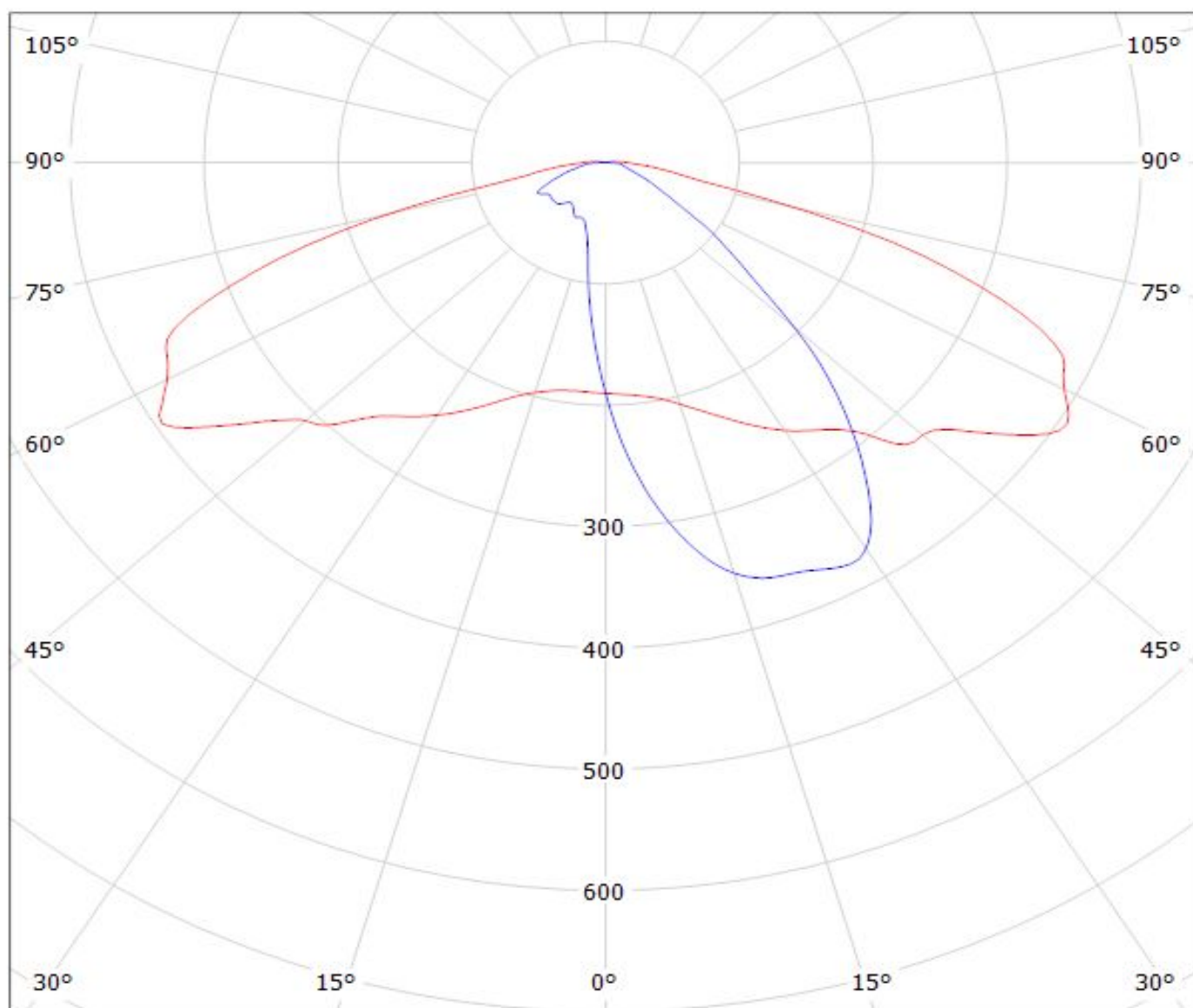
Lamps: 1 x Cree_XP-L_(XPLAWT-0-7A3-U50-0H-0001)_1258.85lm@250mA_P=8.27562W_I=0.250A



Luminaire: Ledil CS15363_STRADA-IP-2X6-T2-B_(XP-G2)_Cav2 Cree_XP-G2_x12_1265.54lm@250mA_P=8.6517W_I=0.25A
Lamps: 1 x Cree_XP-G2_x12_1265.54lm@250mA_P=8.6517W_I=0.25A



Luminaire: Ledil CS15363_STRADA-IP-2X6-T2-B_(XP-L2)
Lamps: 1 x Cree_XP-L2x12_(XPGBWT-H1-3B0-R5-0-01)
1666.32lm@250mA_CCT=5000_P=8.239W_I=0.25A

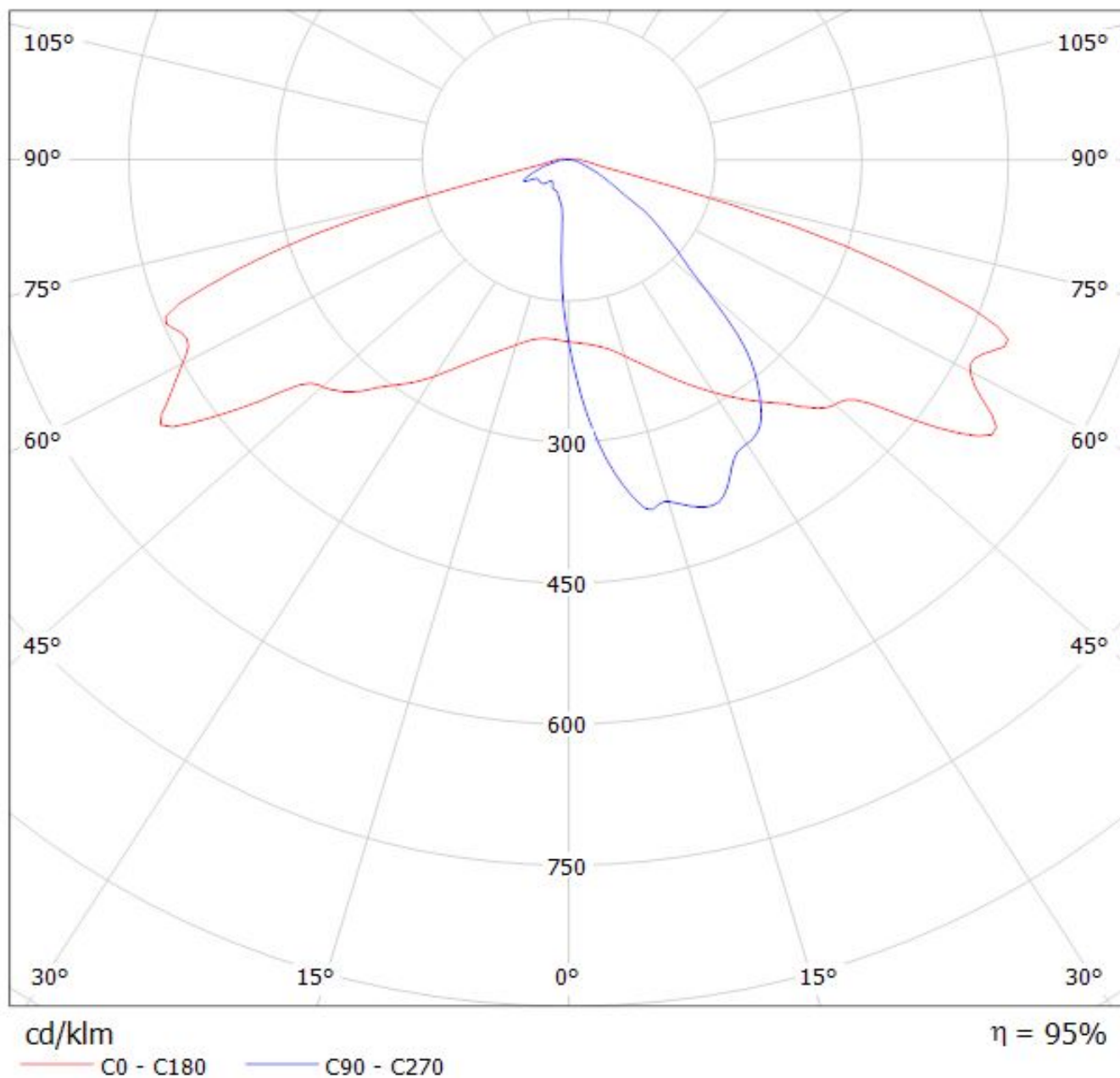


cd/klm

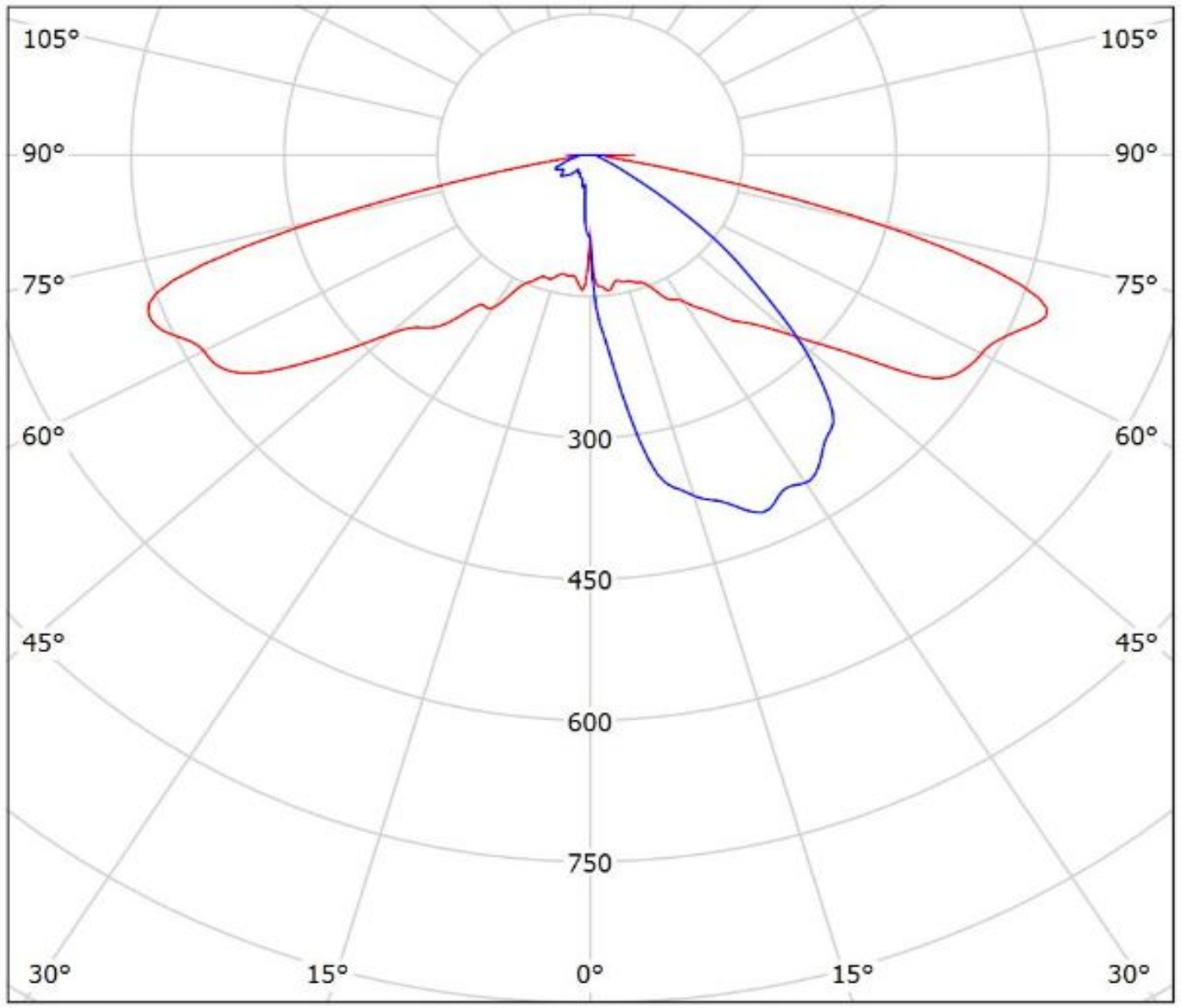
— C0 - C180 — C90 - C270

$\eta = 96\%$

Luminaire: LEDiL Oy CS15363_STRADA-IP-2X6-T2-B_(Luxeon_T)
Lamps: 1 x Luxeon_T_(LXH8-FW30)_1040.41lm@250mA_P=8.49754W_I=0.250A



Luminaire: Ledil Oy CS15363_STRADA-IP-2X6-T2-B_NICHIA_NVSW219C_SIMULATED
Lamps: 1 x NICHIA NVSW219C

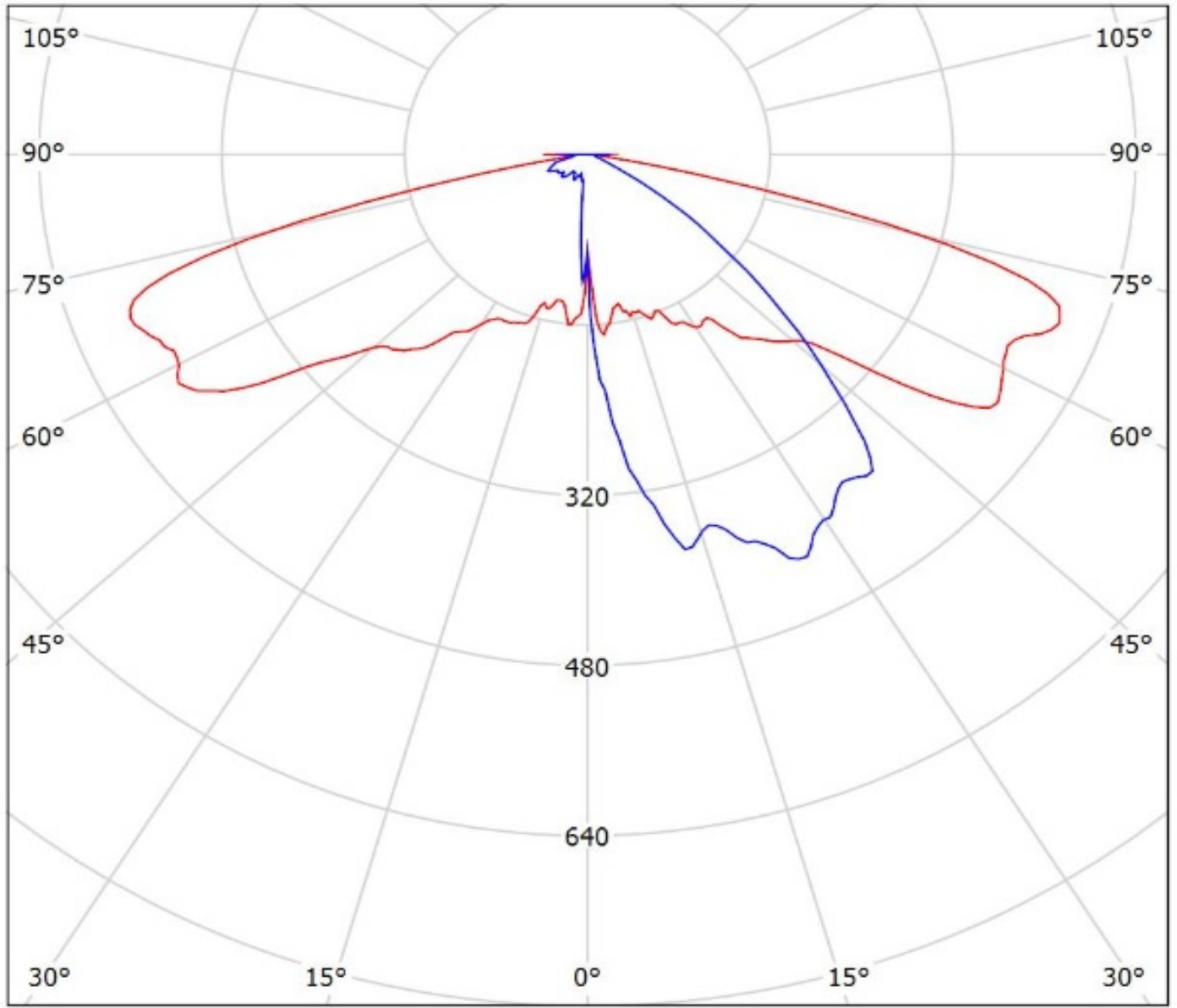


cd/klm

— C0 - C180 — C90 - C270

$\eta = 93\%$

Luminaire: Ledil Oy CS15363_STRADA-IP-2X6-T2-B_(LH351B)_SIMULATED
Lamps: 1 x Samsung LH351B

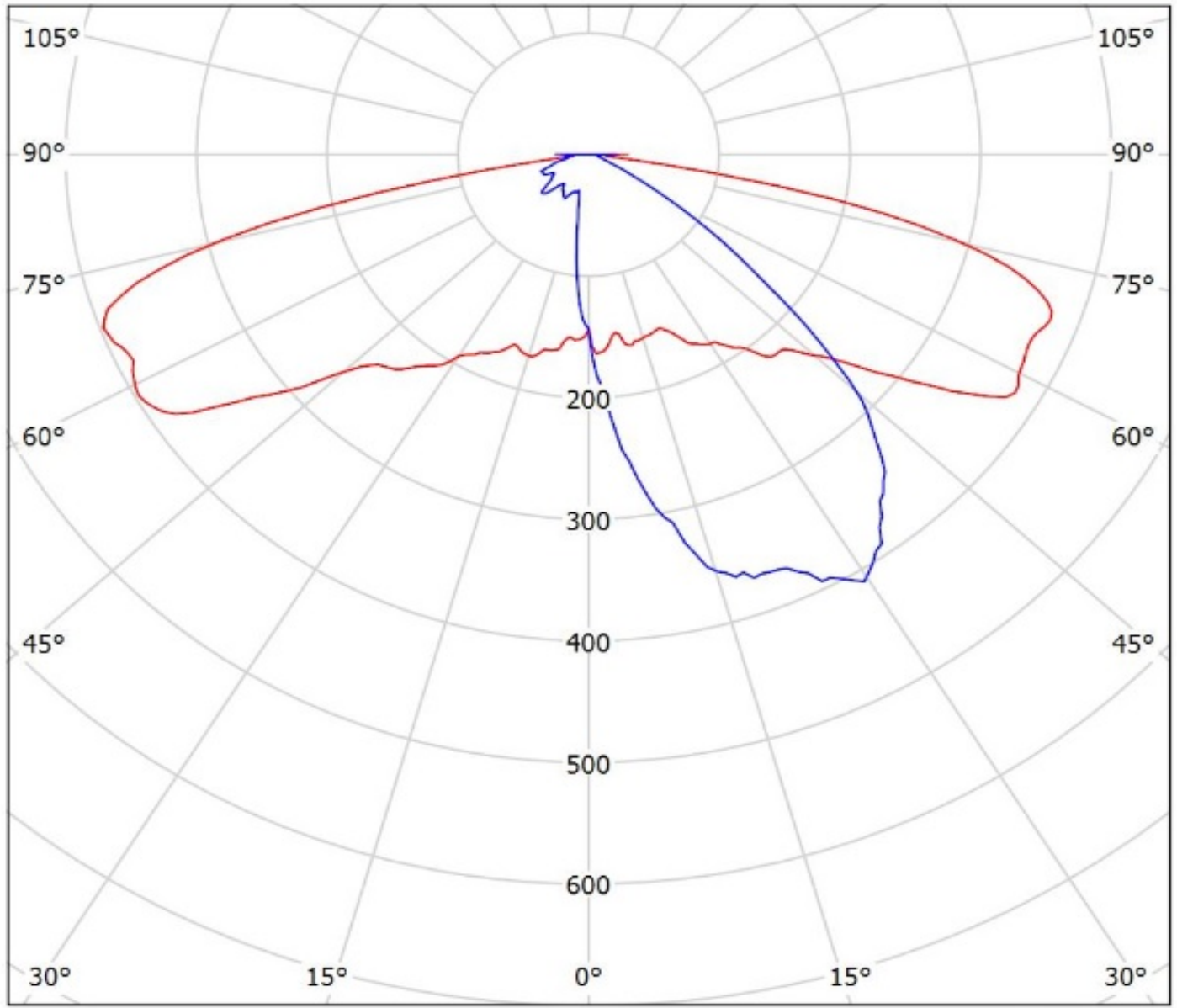


cd/klm

— C0 - C180 — C90 - C270

$\eta = 94\%$

Luminaire: Ledil Oy CS15363_STRADA-IP-2X6-T2-B_(LH351D)_SIMULATED
Lamps: 1 x Samsung LH351D

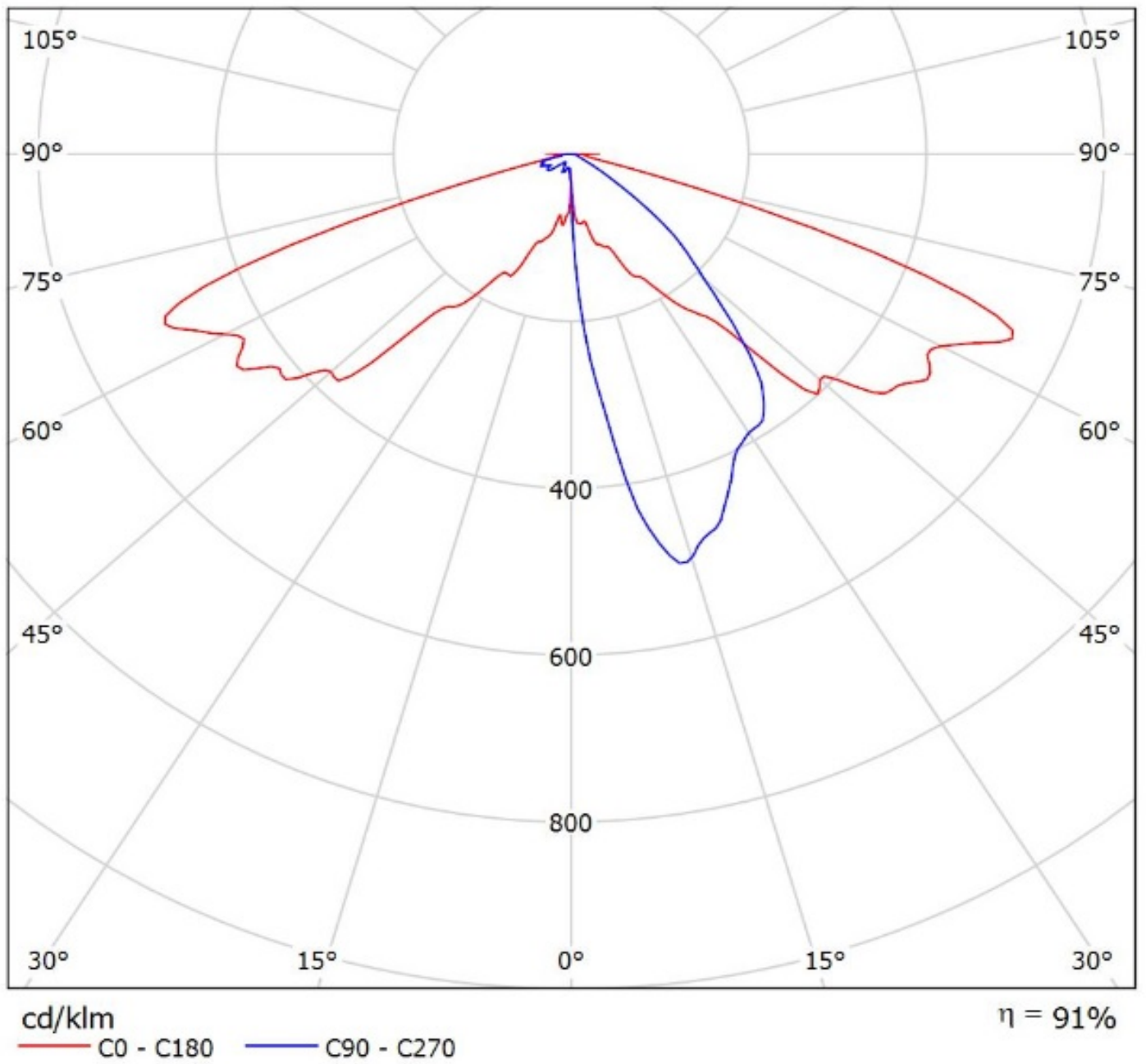


cd/klm

— C0 - C180 — C90 - C270

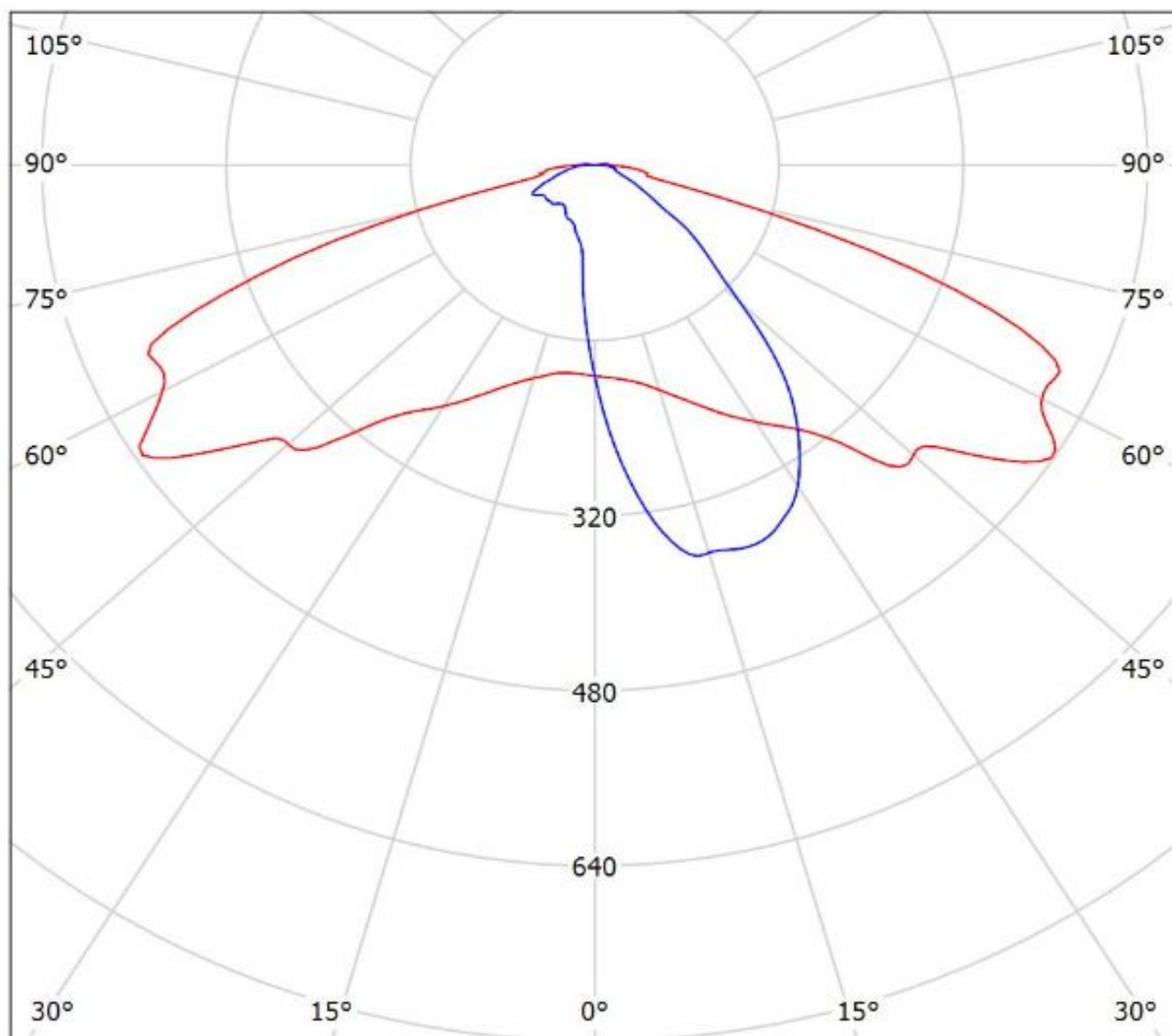
$\eta = 94\%$

Luminaire: Ledil Oy PRELIMINARY_CS15363_STRADA-IP-2X6-T2-B_(Z5M1)_SIMULATED
Lamps: 1 x Seoul Z5M1



Luminaire: Ledil CS15363_STRADA-IP-2X6-T2-B_(Z8Y22_PLUS)

Lamps: 1 x Seoul_Z8Y22_PLUS_2X6_(SZ8-Y22-W0-C7P)1489.65lm@250mA_P=8.30675W_I=0.250A



cd/klm

— C0 - C180 — C90 - C270

$\eta = 97\%$

NOTE: The typical divergence will be changed by different color, chip size and chip position tolerance. The typical total divergence is the full angle measured where the luminous intensity is half of the peak value.