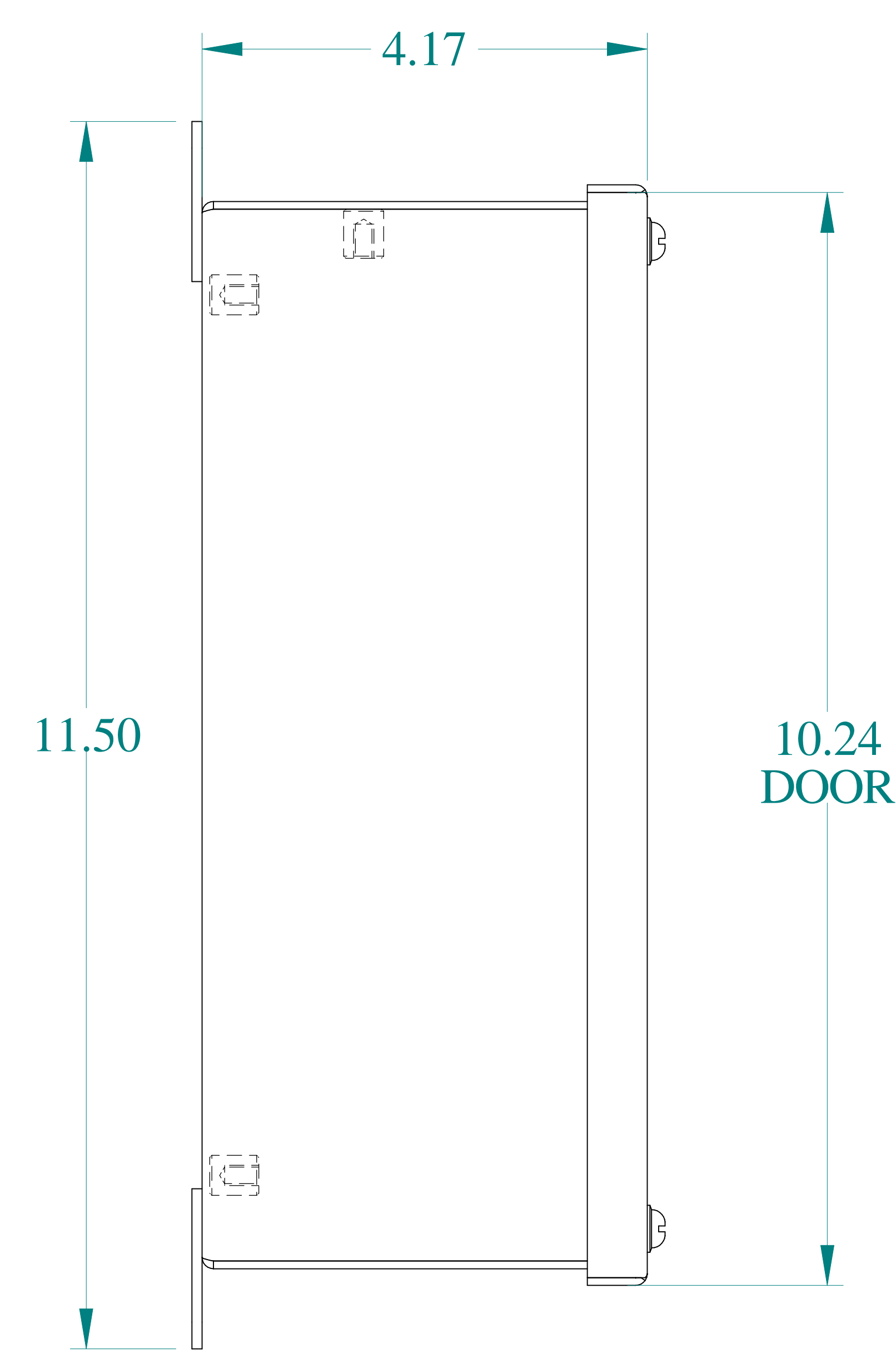
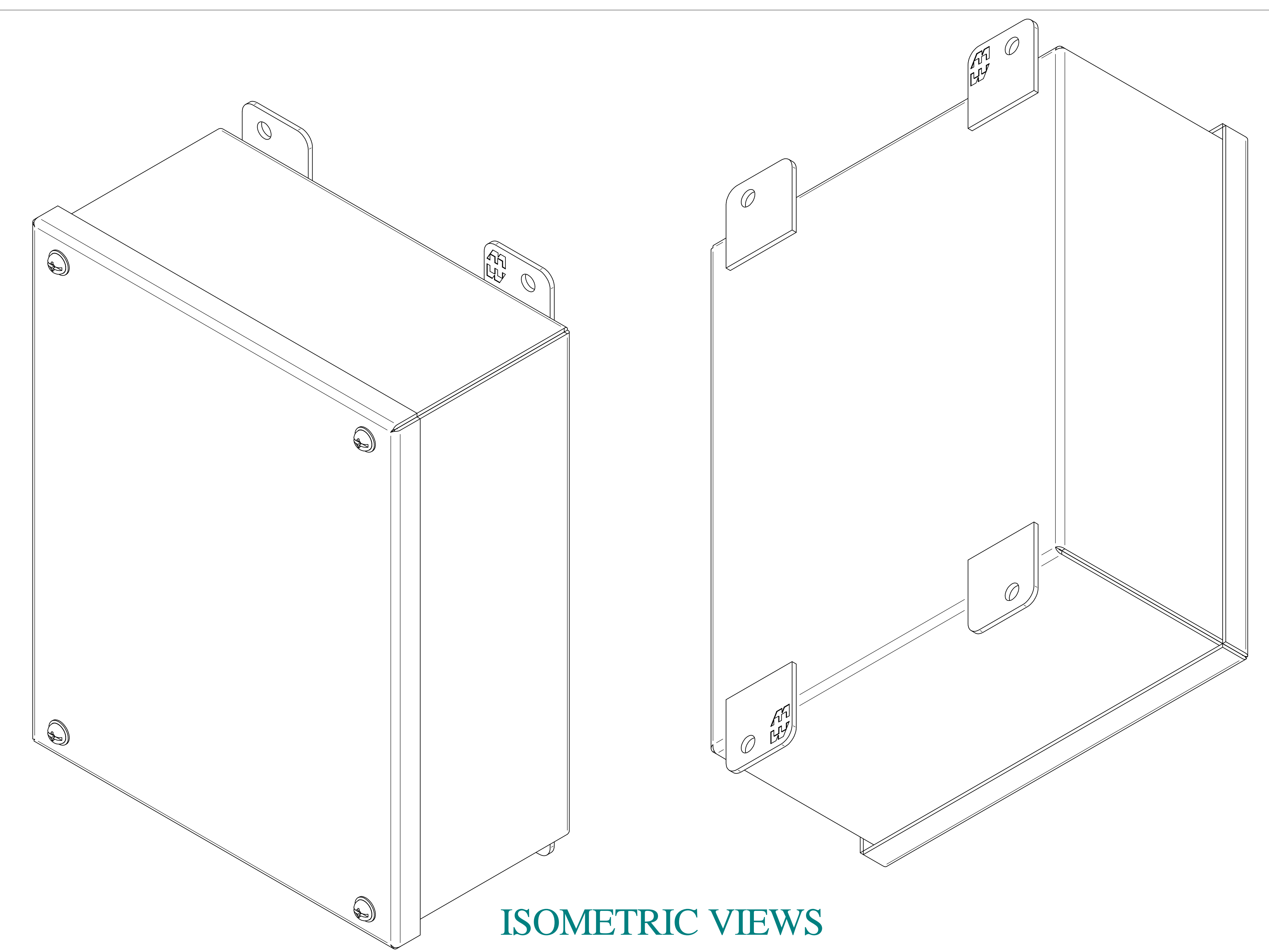
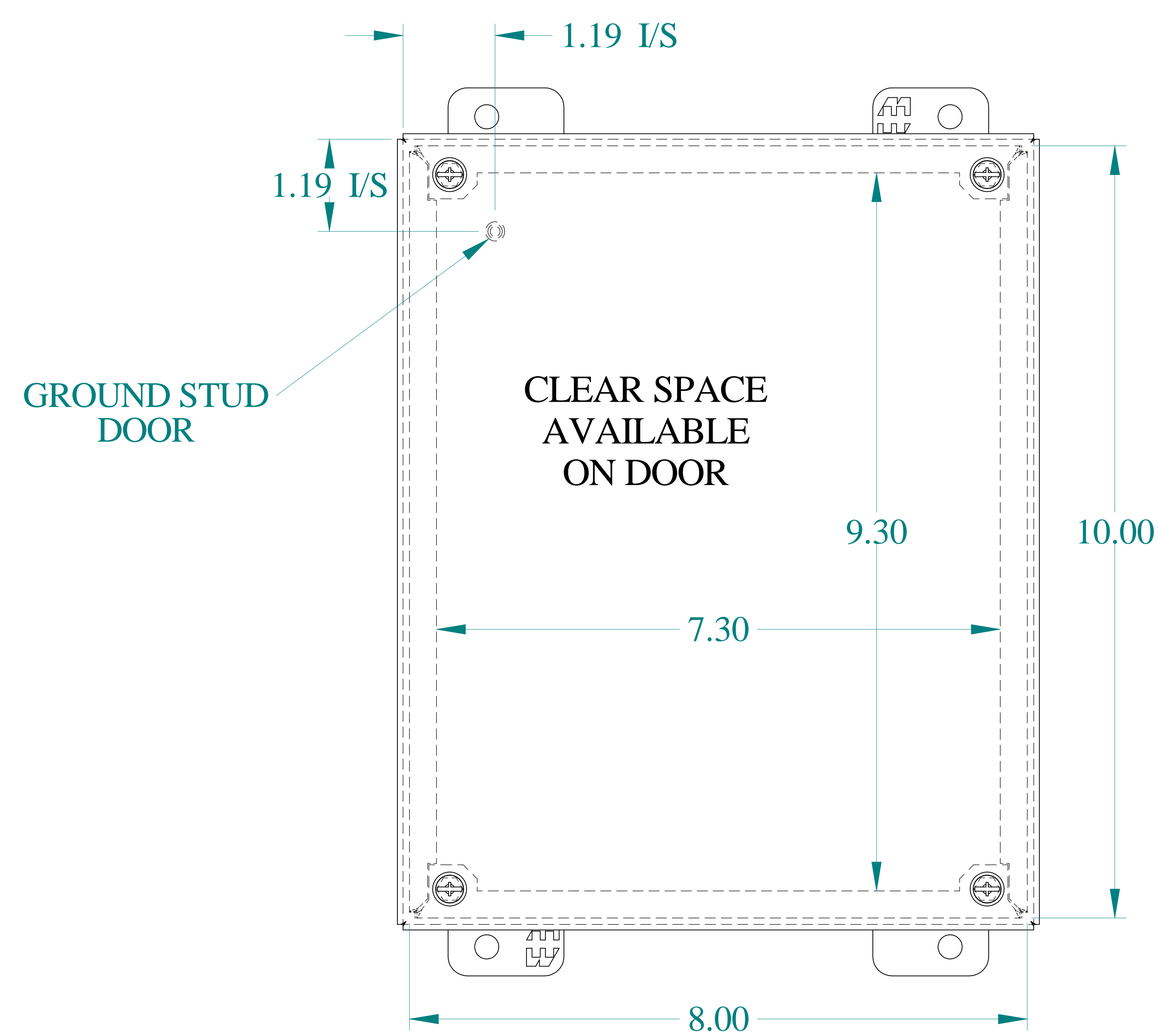


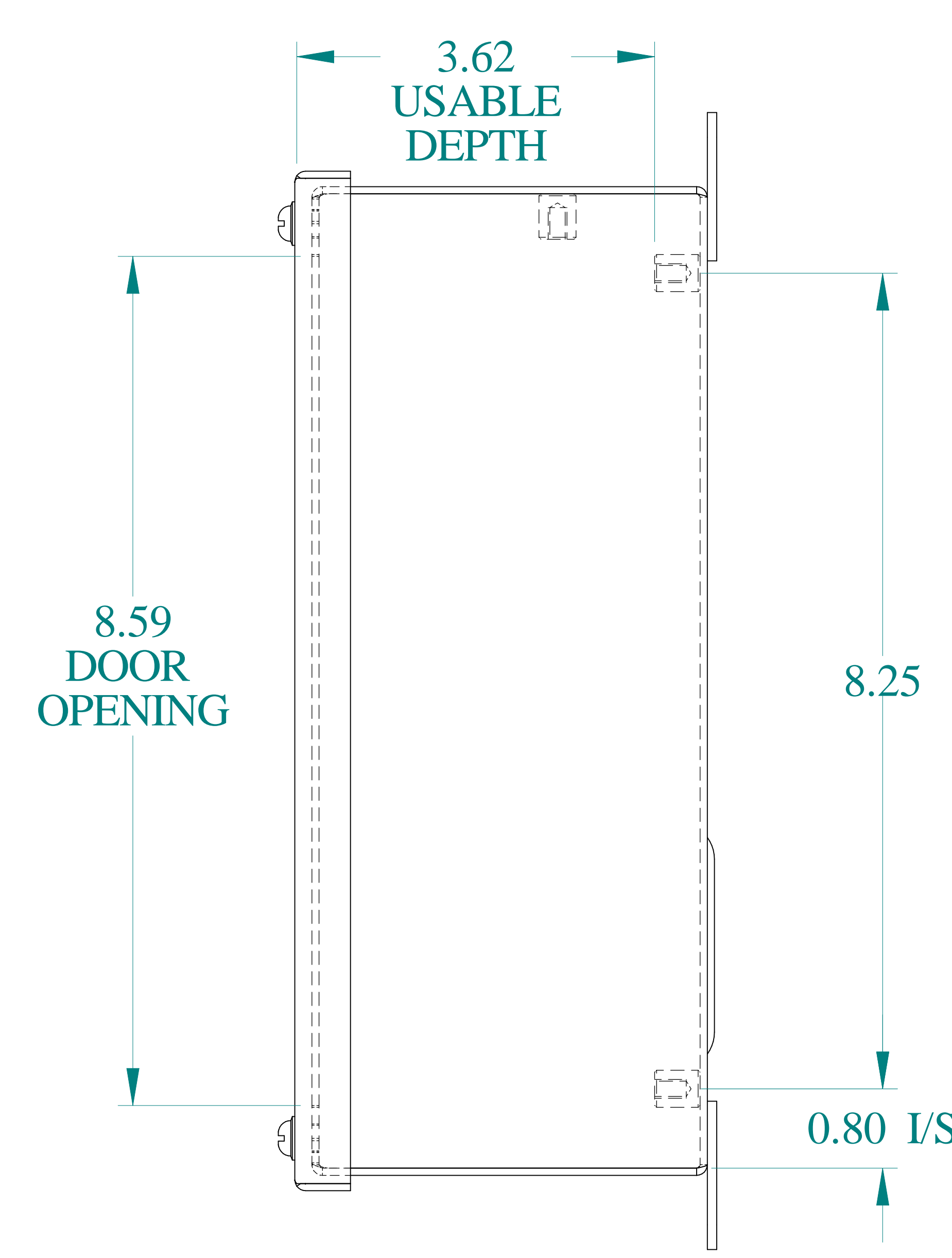
TOP VIEW



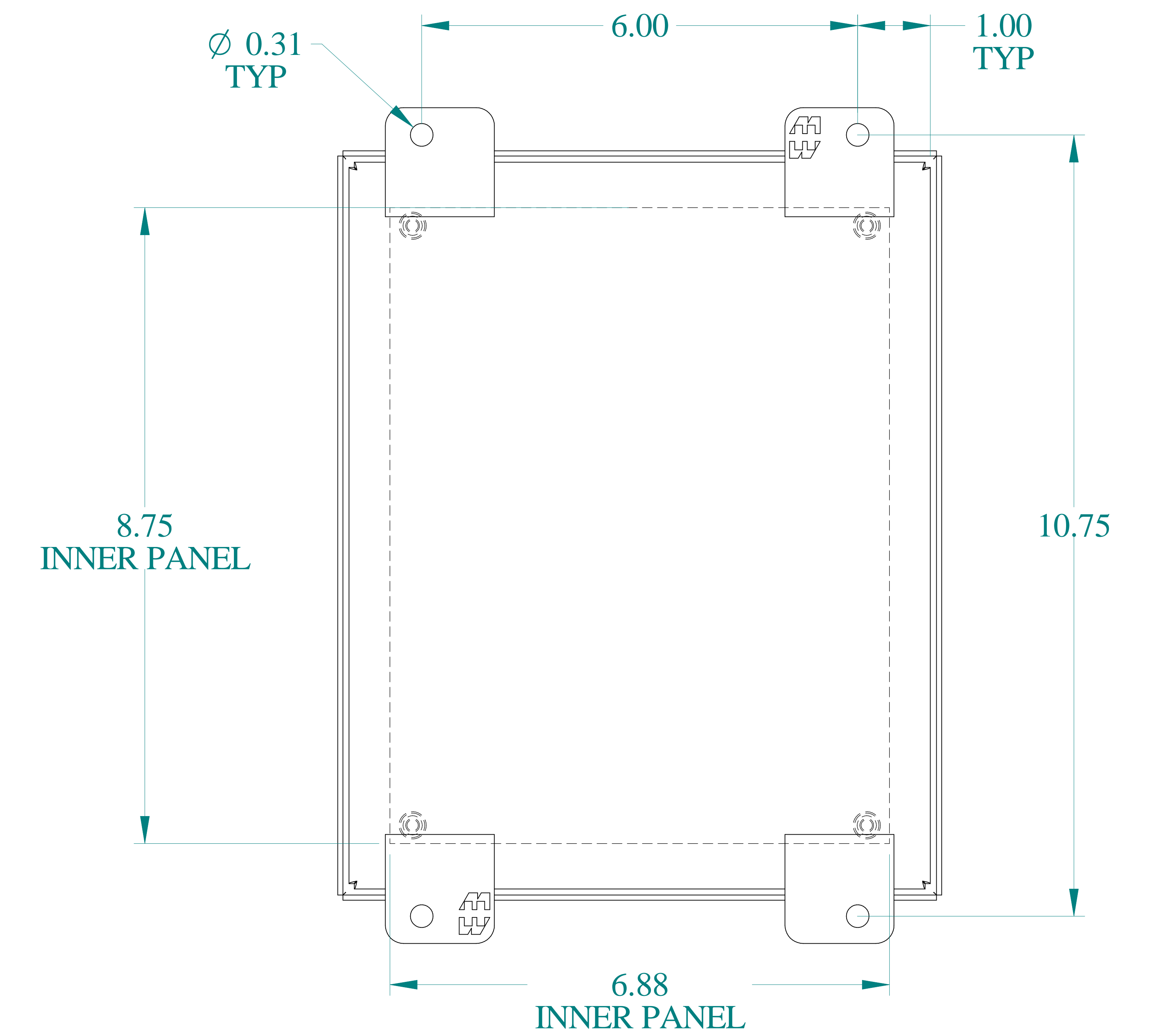
SIDE VIEW



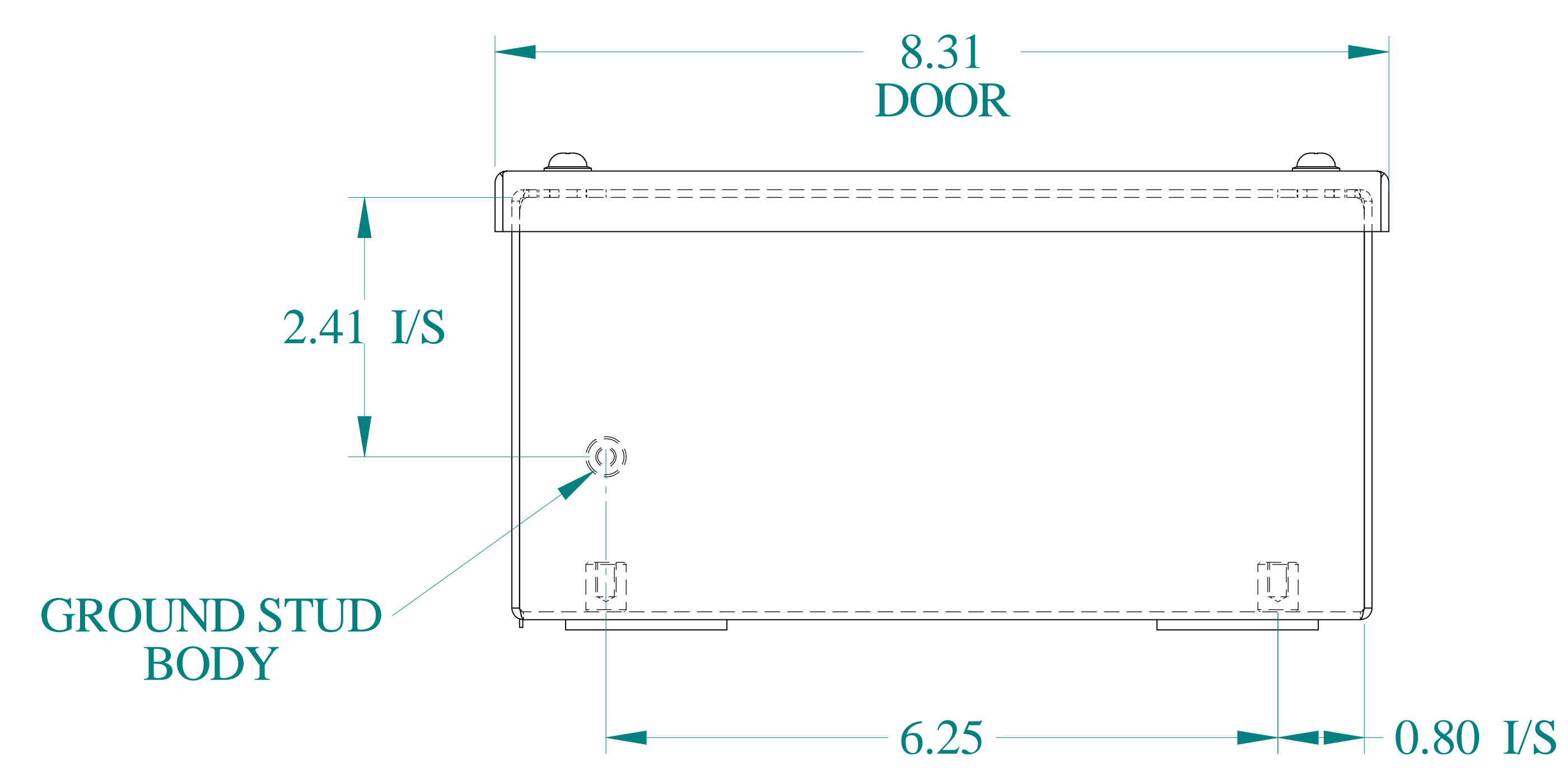
FRONT VIEW



SIDE VIEW



BACK VIEW



BOTTOM VIEW



Data subject to change without notice.

Part #: 1414SCI

Date: Feb. 2, 2021

Link: www.hammf.com/1414SCI