

8 7 6 5 4 3 2 1

ENG. NO.:

EDP NO.:

SIMILAR ITEM

CADFILE NO.:

DO NOT SCALE DRAWING

F

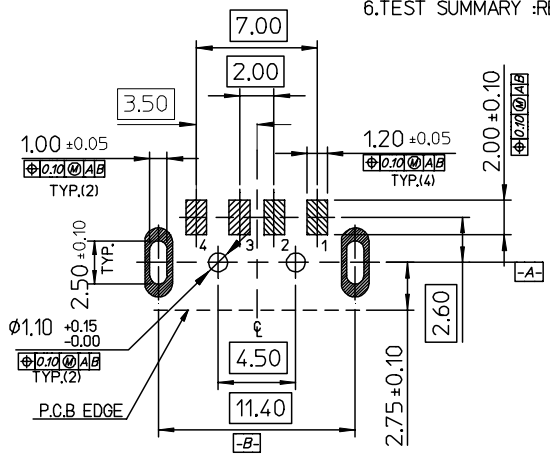
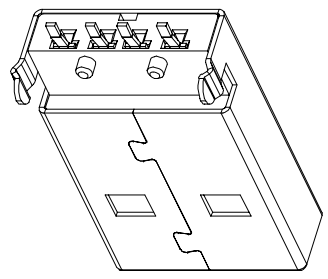
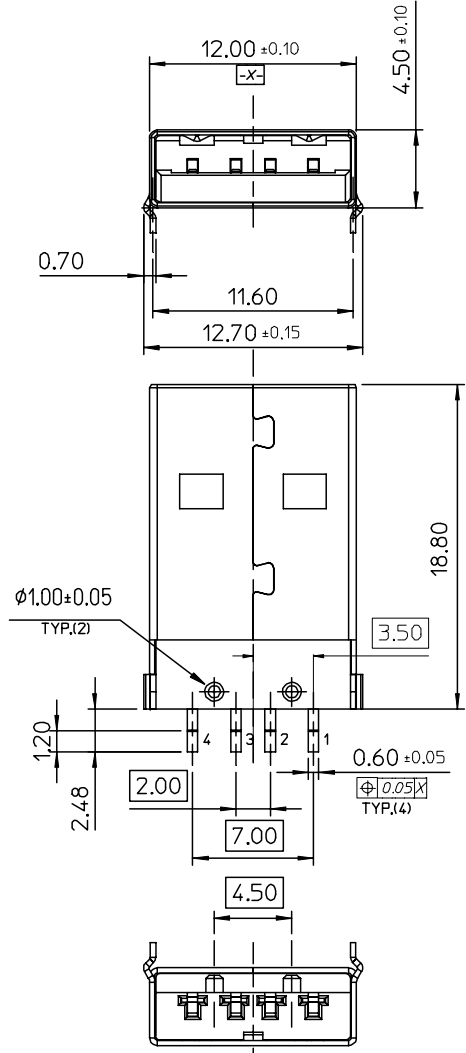
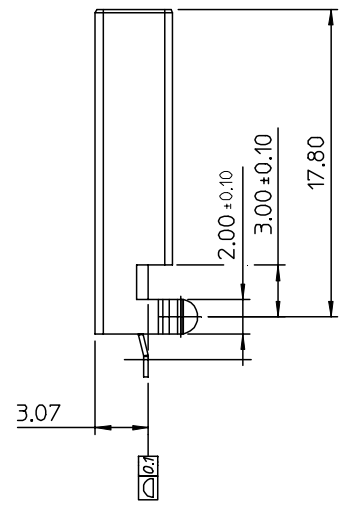
E

D

C

B

A



RECOMMENDED PCB LAYOUT

NOTES:

- 1.MATERIAL:
SHELL: SPCC
HOUSING: THERMOPLASTIC, GLASS FIBER FILLED,
UL 94V-0 RATED.COLOR BLACK.
CONTACT: BRASS
- 2.PLATING:
TERMINAL:
CONTACT AREA:GOLD(Au)
THICKNESS=30 MICROINCH MINIMUM.
SOLDER TAIL:TIN(Sn), ALLOY,
THICKNESS=120 MICROINCH MINIMUM.
UNDER PLATED:NICKEL(Ni),THICKNESS=50 MICROINCH MINIMUM.
METAL SHELL:
NICKEL(Ni),THICKNESS=120 MICROINCH MINIMUM.
UNDER PLATE: COPPER(Cu), THICKNESS=50 MICROINCH MINIMUM.
- 3.RECOMMENDED PCB THICKNESS:1.20~1.60mm
- 4.PRODUCT SPECIFICATION:REFER TO PS-48037-001
- 5.PACKAGE SPECIFICATION:SEE TABLE
- 6.TEST SUMMARY :REFER TO TS-48037-001

48037-2000	T&R	PK-48037-200	
48037-1000	TRAY	PK-48037-001	
MOLEX P/N	PACKAGE	PACKAGE SPEC.	REMARK

ADD NEW P/N AND UPDATE PLATING SPEC. EC NO.SH2005-0163 DRWN: KEVIN CHANG CHK: KEVIN CHANG APPR: RTM EC NO.T2004-0067 DRWN: KEVIN CHANG CHK: SAM SHIN APPR:ERICK LAN	QUALITY SYMBOLS MAJOR ▲ +0 CRITICAL ▼ -0	GENERAL TOLERANCES: (UNLESS SPECIFIED)	SCALE	DESIGN UNITS <input checked="" type="checkbox"/> MM <input type="checkbox"/> INCH	THIRD ANGLE PROJECTION	DIMENSIONS: <input type="checkbox"/> MM <input type="checkbox"/> INCH <input type="checkbox"/> MM <input type="checkbox"/> INCH <input checked="" type="checkbox"/> MM ONLY	SHT REV
		4 PLACES \ . \ . 3 PLACES \ . \ . 2 PLACES ±0.25 ±0.010 1 PLACE ±0.25 ±0.010	ANGULAR: ±3°	DRAWN BY & DATE COLIN DUAN 030822 CHECKED BY & DATE SAM SHIN 030822 APPROVED BY & DATE WILSON CHANG 030822	CAD FILENAME S4803702.MI	MATERIAL NO. SEE TABLE	DRAWING NO. SD-48037-002
DRAFT WHERE APPLICABLE MUST REMAIN WITHIN DIMENSIONS		THIS DRAWING CONTAINS INFORMATION THAT IS PROPRIETARY TO MOLEX INCORPORATED AND SHOULD NOT BE USED WITHOUT WRITTEN PERMISSION.				SIZE A3	

TITLE:
USB A TYPE PLUG R/A CONNECTOR(SMT)

MOLEX INCORPORATED