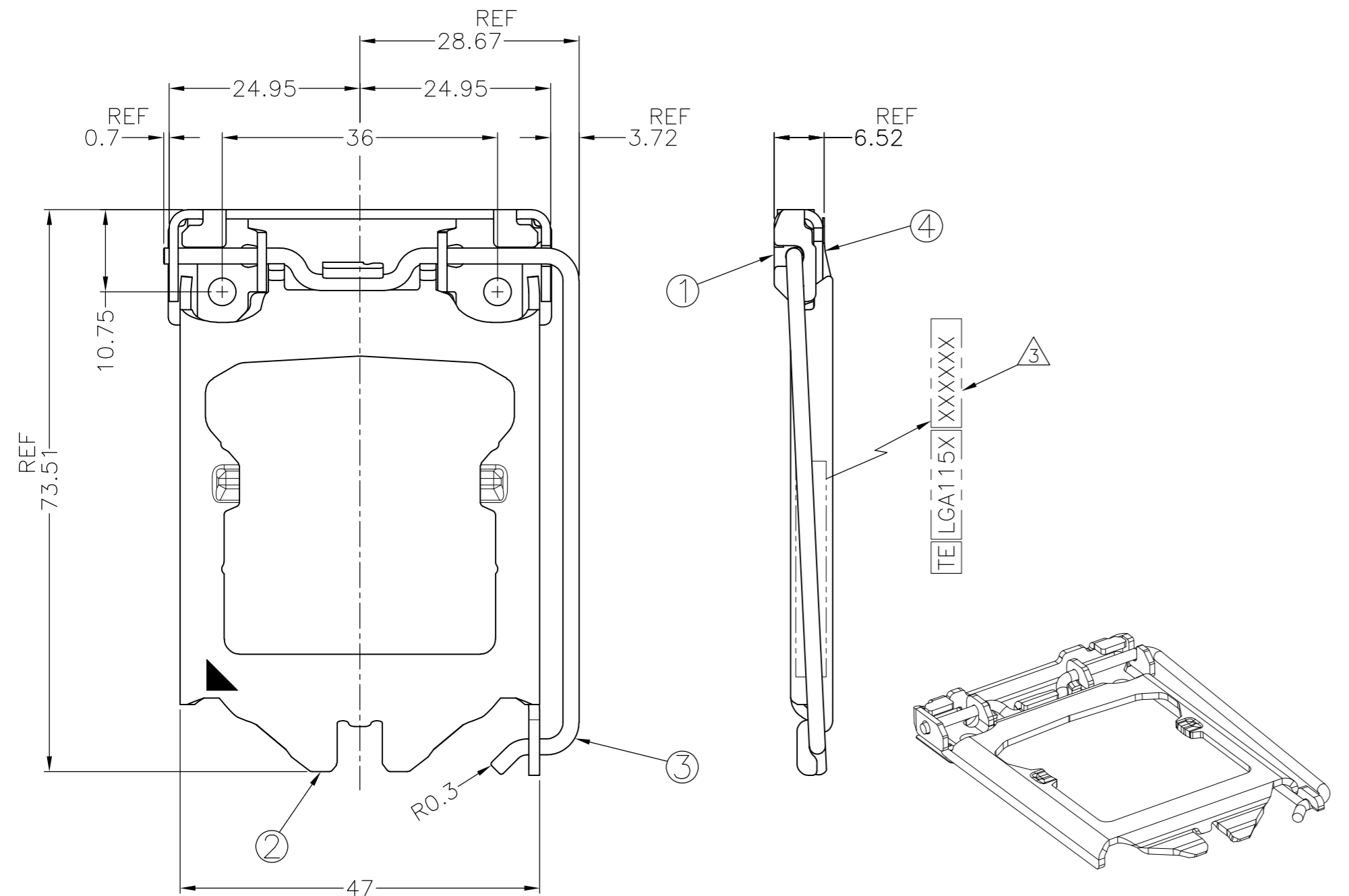


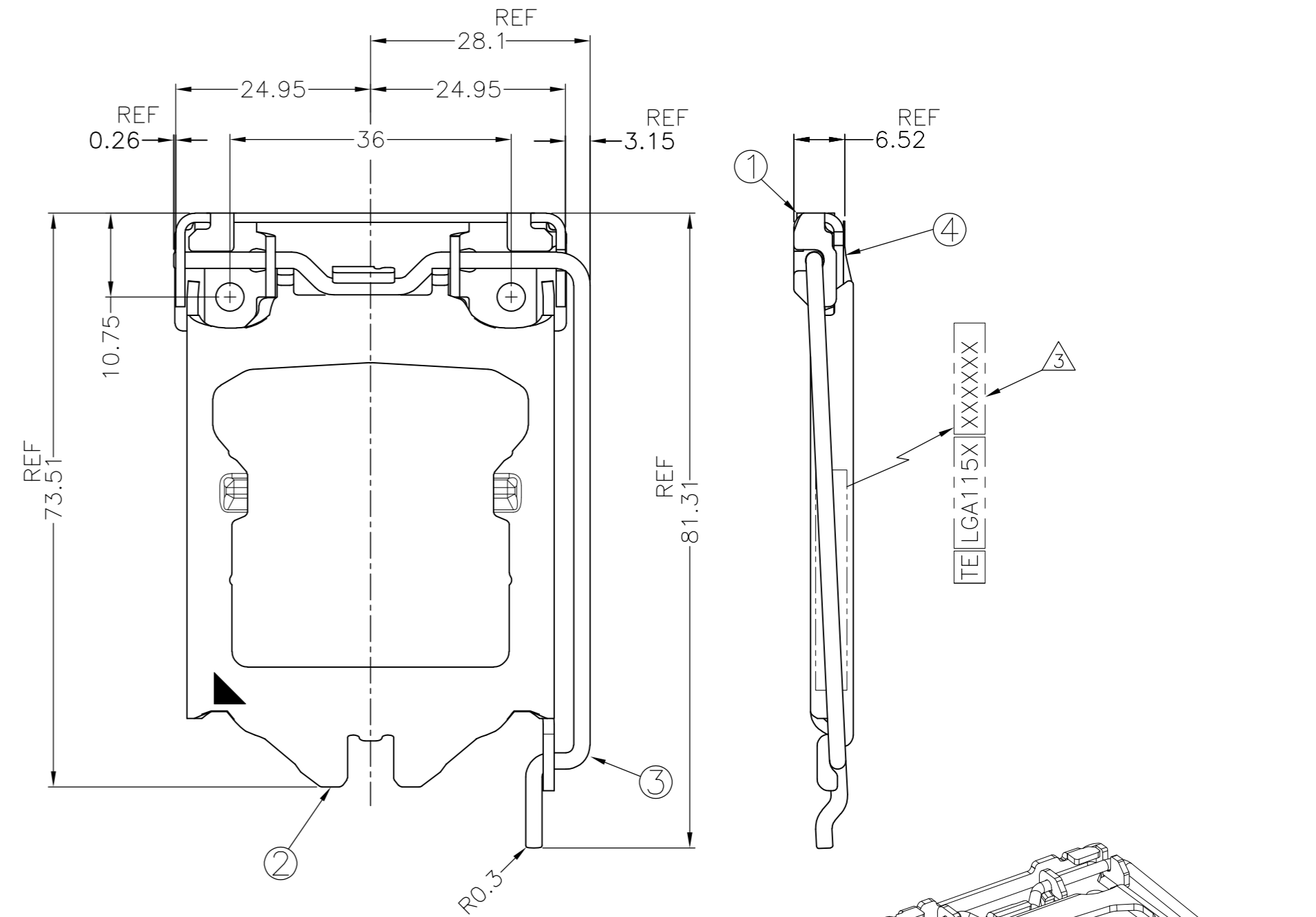
THIS DRAWING IS UNPUBLISHED. RELEASED FOR PUBLICATION
 © COPYRIGHT - By Tyco Electronics Japan G.K. ALL RIGHTS RESERVED.

LOC		DIST		REVISIONS					
J		-		P	LTR	DESCRIPTION	DATE	DWN	APVD
				B		REVISED	14MAY'12	J.C	T.N



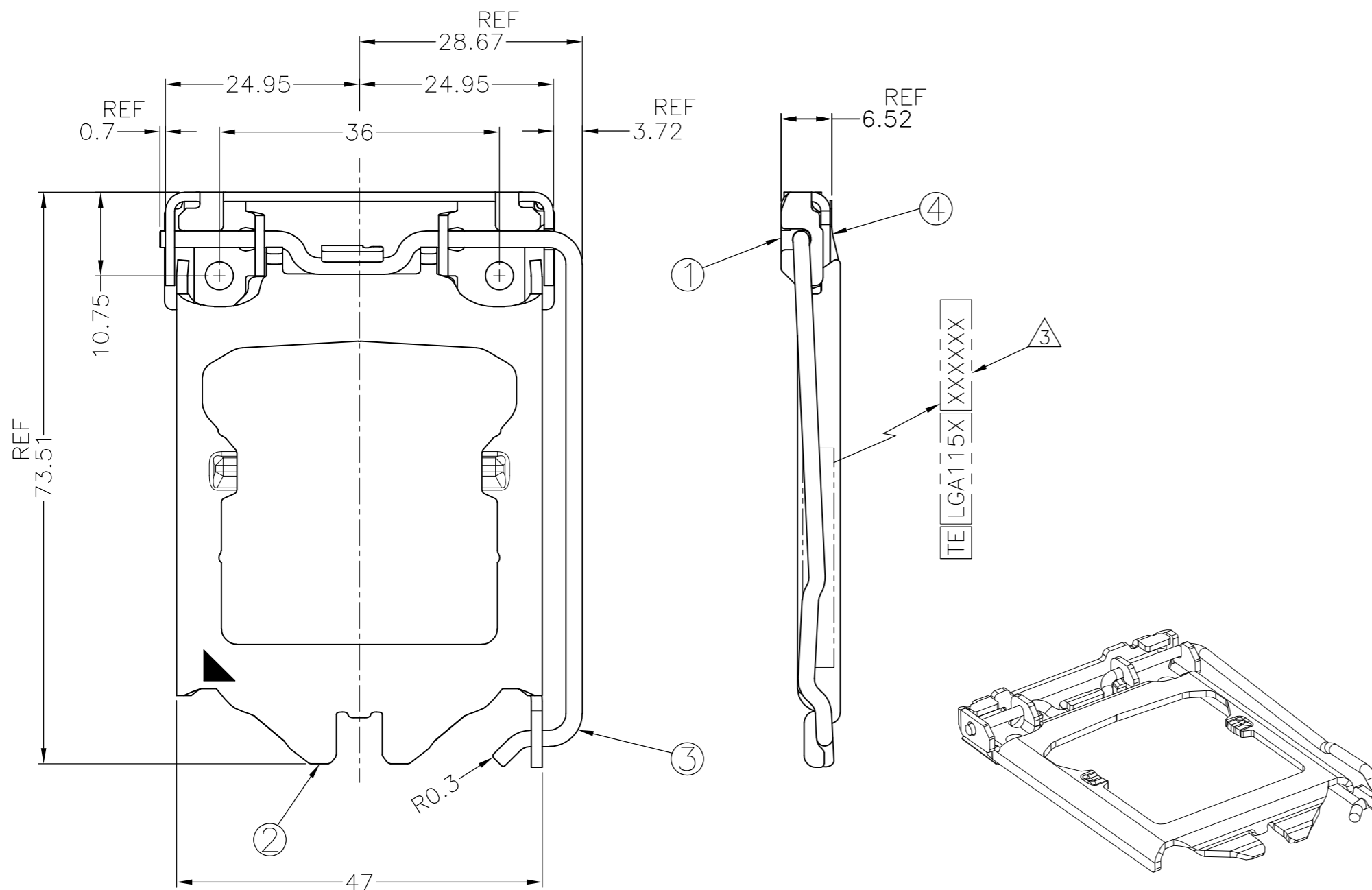
2134397-1 AS SHOWN

3D VIEW (REFERENCE)



2134397-3 AS SHOWN
(TIP OFFSET TYPE)

3D VIEW (REFERENCE)



2134397-2 AS SHOWN
(OFFSET TYPE)

3D VIEW (REFERENCE)

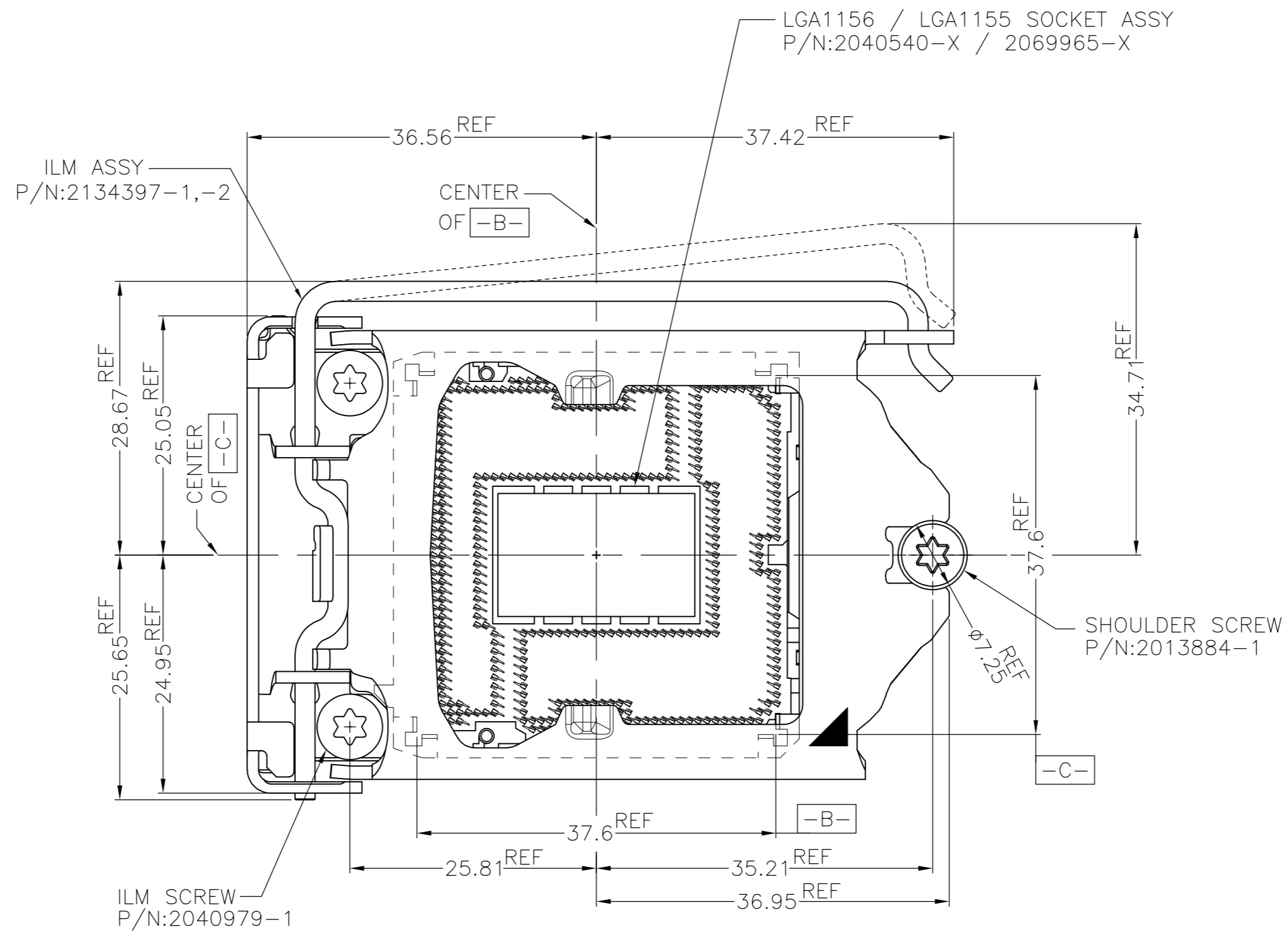
- MATERIAL
 - ① FRAME: STAINLESS STEEL
 - ② LOAD PLATE: STAINLESS STEEL
 - ③ LEVER: SUS304, 2 DIA
 - ④ INSULATOR: POLYCARBONATE FILM PLUS ACRYLIC ADHESIVE LAYER
 - APPLICABLE SOCKET P/N: 2040540 / 2069965 / 2134928 SERIES
- ⚠ INDICATED DATE CODE ON THE LOAD PLATE

ILM ASSY W/STRAIGHT LEVER (TIP OFFSET)	2134397-3
ILM ASSY W/STRAIGHT LEVER (OFFSET)	2134397-2
ILM ASSY W/STRAIGHT LEVER	2134397-1
DESCRIPTION	PART NUMBER

THIS DRAWING IS A CONTROLLED DOCUMENT.		DWN J.MIZUSHIMA 09AUG2010	TE Connectivity	
DIMENSIONS: 単位: 寸 mm		CHK H.TAGUCHI 09AUG2010		
TOLERANCES UNLESS OTHERWISE SPECIFIED: 一般公差		APVD T.NAKASHIMA 09AUG2010	NAME 名称	
0-PLC ± ± ± 0.3 1-PLC ± ± ± 3' 2-PLC ± ± ± 3' 3-PLC ± ± ± 4-PLC ± ± ± ANGLES ± ± ±		PRODUCT SPEC 108-78586	ILM ASSY LGA115X	
MATERIAL 材料		APPLICATION SPEC 取付適用規格 114-5444	SIZE A2	CAGE CODE 00779
FINISH 仕上		WEIGHT 27g	DRAWING NO 番号 C=2134397	RESTRICTED TO -
		CUSTOMER DRAWING	SCALE 尺度 NTS	SHEET 1 of 2
			REV B	

THIS DRAWING IS UNPUBLISHED. RELEASED FOR PUBLICATION
 © COPYRIGHT - By Tyco Electronics Japan G.K. ALL RIGHTS RESERVED.

LOC	DIST	REVISIONS					
		P	LTR	DESCRIPTION	DATE	DWN	APVD
J	-	-	-	SEE SHEET 1	-	-	-



ILM ASSEMBLY OCCUPATION AREA
(REFERENCE)

DATUM B AND C ARE REFERRED TO THE CENTER OF LGA SOCKET DATUM WALL

FOR GENERAL BOARD DESIGN, PLEASE REFER TO THE THERMAL AND MECHANICAL DESIGN GUIDELINES(TMDG) PROVIDED BY INTEL CORPORATION

THIS DRAWING IS A CONTROLLED DOCUMENT.		DWN	TE TE Connectivity	
DIMENSIONS: 単位: 寸 mm		CHK		
TOLERANCES UNLESS OTHERWISE SPECIFIED: 一般公差		APVD	NAME 名称	
0-PLC ±		PRODUCT SPEC 製品規格	ILM ASSY	
1-PLC ±		APPLICATION SPEC 取付適用規格	LGA115X	
2-PLC ±		WEIGHT	SIZE	RESTRICTED TO
3-PLC ±		CUSTOMER DRAWING	CAGE CODE	-
4-PLC ±			DRAWING NO 番号	
ANGLES 仕上		SCALE 尺度	00779	2 OF 2
FINISH 仕上		NTS	C=2134397	
				REV B