

## Part Number: D313743

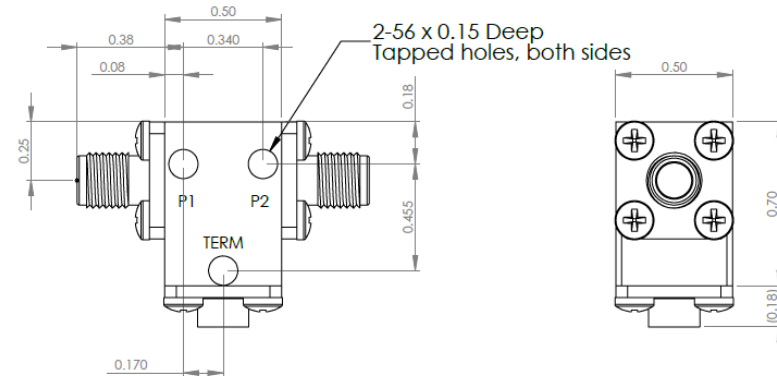
### Electrical Specifications

Frequency Range (GHz):	37.0 – 43.0
Isolation (dB):	14 MIN
Insertion Loss (dB):	1.2 MAX
VSWR:	1.35:1 MIN
Forward Power (W):	5 AVG 30 PK
Reflective Power (W):	2 AVG

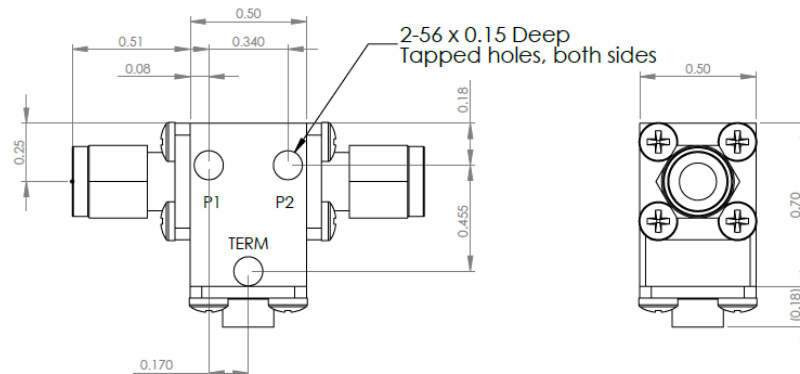
### Mechanical/Environmental Specifications

Connector Type:	K (2.9mm)
Connector Body:	Passivated stainless steel
Connector Pin:	Gold plated copper
Load Body:	Brass
Magnetic Shunt:	Nickel plated CRS
Operational Temp:	-20°C to +65°C
Weight (oz)	0.9 MAX

### D313743 Dimensions



### D313743-3 Dimensions



Dimensions are in inches  
Tolerance

XX ±0.03  
XXX ±0.010

Type of Device	PN Suffix	Connector Configuration Input / Output	PN Example
Single and Dual Junction Isolator, 2-Port Device	N/A	Female / Female	D313743
	-1	Male / Female	D313743-1
	-2	Female / Male	D313743-2
	-3	Male / Male	D313743-3



# MEASURED DATA

Part Number: D3I3743, +25°C

