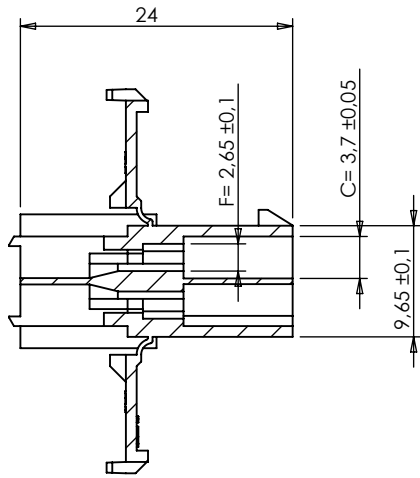
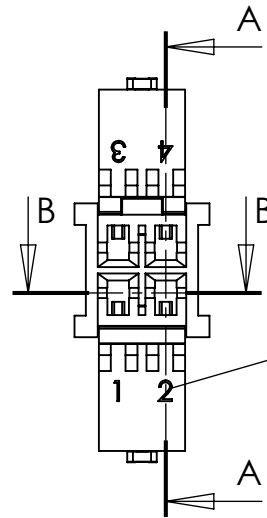


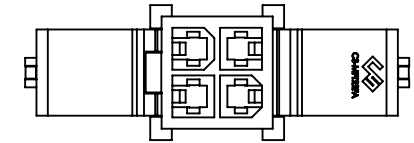
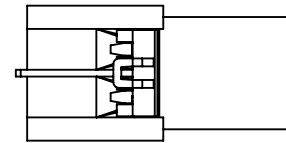
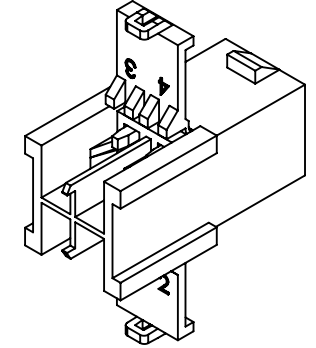
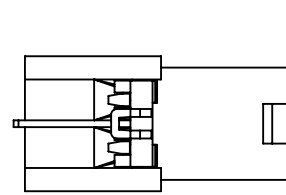
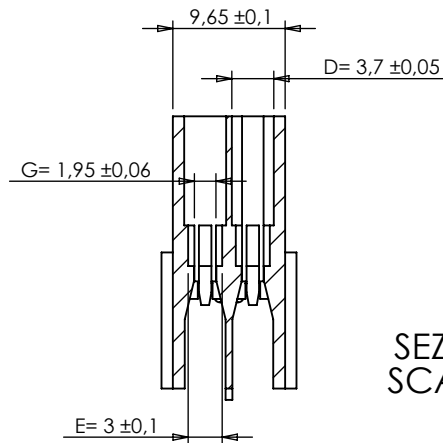
This drawing and all informations contained here can not be used or reproduced, integrity or partially, without written authorization by Colombo Sergio & Figli.



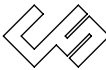
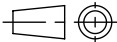
SEZIONE A-A
SCALA 1.5 : 1



SEZIONE B-B
SCALA 1.5 : 1



Way number in the housing, thickness 0.05 mm

INDEX	MODIFICATION	DATE
 <p>COLOMBO SERGIO e Figli S.r.l. 20063 CERNUSCO S/N - VIA COMO, 11 TEL +39.02.9210.7404 - FAX +39.02.9210.0217 http://www.cscolombo.com - e-mail: info@cscolombo.com</p>		
CHECKED BY Stefano Galimberti		DATE 18-04-2012
DRAWN BY Stefano Querzoli		DATE 18-04-2012
SCALE 1.5:1	CAD REFER Y:\dis\cs\mft\mftxxf\mftxxf sek lock\tavole\	DESIGN UNITS METRIC
SIZE A4	INDEX 0 18-04-2012	WEIGHT
BASE CODE CS-MFT22F		DESCRIPTION MFT FEMALE CONNECTOR FOR PANEL, 2X2 POLES

DIMENSIONS WITHOUT TOLERANCES		CS-MFT22FV0	PA6/66 UL94 V-0
$\angle \pm 2^\circ$	0 - 6	± 0.1	CS-MFT22FV0750NF PA66 UL94 V-0 GWIT 775
	6 - 30	± 0.2	CS-MFT22F-G PA6 UL94 V-2 GWIT 775
	> 30	± 0.3	PART NUMBER MATERIAL

E

D

C

B

A

1

2

3

4

1

2

3

4