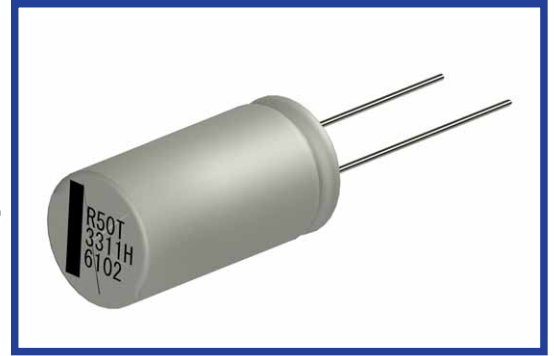


RX50 シリーズ
SERIES

150°C 1000時間品
Load Life : 150°C 1000 hours

- ・車載機器等の高温用途に最適。
Solution for high temperature application such as automobile electronics.
- ・AEC-Q200対応可。
AEC-Q200.

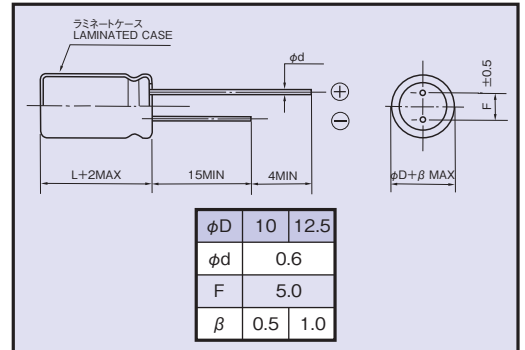
RoHS compliance



◆規格表 / SPECIFICATIONS

| 項目 Items | 特性 Characteristics | | | | | | | | | | | | | | | | | | | | | | |
|---|---|-------------------------------|---|------------------------------|--|-------------------------|---|----|------------------|------|------|------|------|------|------|------------------|---|---|---|---|---|---|---------|
| カテゴリ温度範囲 Category Temperature Range | -40~+150°C | | | | | | | | | | | | | | | | | | | | | | |
| 定格電圧範囲 Rated Voltage Range | 10~63Vdc | | | | | | | | | | | | | | | | | | | | | | |
| 静電容量許容差 Capacitance Tolerance | ±20% (20°C, 120Hz) | | | | | | | | | | | | | | | | | | | | | | |
| 漏れ電流 Leakage Current(MAX) | I=0.01CV又は3μAのいずれか大なる値以下 I=0.01CV or 3μA whichever is greater. (定格電圧印加5分後) (After 5 minutes application of rated voltage) | | | | | | | | | | | | | | | | | | | | | | |
| 損失角の正接 (tanδ) Dissipation Factor(MAX) | <table border="1"> <tr> <td>定格電圧(Vdc) Rated Voltage</td> <td>10</td> <td>16</td> <td>25</td> <td>35</td> <td>50</td> <td>63</td> </tr> <tr> <td>tanδ</td> <td>0.20</td> <td>0.16</td> <td>0.14</td> <td>0.12</td> <td>0.12</td> <td>0.11</td> </tr> </table> | 定格電圧(Vdc) Rated Voltage | 10 | 16 | 25 | 35 | 50 | 63 | tanδ | 0.20 | 0.16 | 0.14 | 0.12 | 0.12 | 0.11 | (20°C, 120Hz) | | | | | | | |
| 定格電圧(Vdc) Rated Voltage | 10 | 16 | 25 | 35 | 50 | 63 | | | | | | | | | | | | | | | | | |
| tanδ | 0.20 | 0.16 | 0.14 | 0.12 | 0.12 | 0.11 | | | | | | | | | | | | | | | | | |
| 耐久性 Endurance | 150°C中で1000時間定格電圧(リップル重畳)印加後、下記項目を満足すること。 After applying rated voltage with rated ripple current for 1000 hours at 150°C, the capacitors shall meet the following requirements. | | | | | | | | | | | | | | | | | | | | | | |
| | <table border="1"> <tr> <td>静電容量変化率 Capacitance Change</td> <td>初期値の±30%以内 Within ±30% of the initial value.</td> </tr> <tr> <td>損失角の正接 Dissipation Factor</td> <td>規格値の300%以下 Not more than 300% of the specified value.</td> </tr> <tr> <td>漏れ電流 Leakage Current</td> <td>規格値以下 Not more than the specified value.</td> </tr> </table> | 静電容量変化率 Capacitance Change | 初期値の±30%以内 Within ±30% of the initial value. | 損失角の正接 Dissipation Factor | 規格値の300%以下 Not more than 300% of the specified value. | 漏れ電流 Leakage Current | 規格値以下 Not more than the specified value. | | | | | | | | | | | | | | | | |
| 静電容量変化率 Capacitance Change | 初期値の±30%以内 Within ±30% of the initial value. | | | | | | | | | | | | | | | | | | | | | | |
| 損失角の正接 Dissipation Factor | 規格値の300%以下 Not more than 300% of the specified value. | | | | | | | | | | | | | | | | | | | | | | |
| 漏れ電流 Leakage Current | 規格値以下 Not more than the specified value. | | | | | | | | | | | | | | | | | | | | | | |
| 低温特性 Low Temperature Stability (インピーダンス比) Impedance Ratio(MAX) | <table border="1"> <tr> <td>定格電圧(Vdc) Rated Voltage</td> <td>10</td> <td>16</td> <td>25</td> <td>35</td> <td>50</td> <td>63</td> </tr> <tr> <td>Z(-25°C)/Z(20°C)</td> <td>2</td> <td>2</td> <td>2</td> <td>2</td> <td>2</td> <td>2</td> </tr> <tr> <td>Z(-40°C)/Z(20°C)</td> <td>4</td> <td>4</td> <td>4</td> <td>4</td> <td>4</td> <td>4</td> </tr> </table> | 定格電圧(Vdc) Rated Voltage | 10 | 16 | 25 | 35 | 50 | 63 | Z(-25°C)/Z(20°C) | 2 | 2 | 2 | 2 | 2 | 2 | Z(-40°C)/Z(20°C) | 4 | 4 | 4 | 4 | 4 | 4 | (120Hz) |
| 定格電圧(Vdc) Rated Voltage | 10 | 16 | 25 | 35 | 50 | 63 | | | | | | | | | | | | | | | | | |
| Z(-25°C)/Z(20°C) | 2 | 2 | 2 | 2 | 2 | 2 | | | | | | | | | | | | | | | | | |
| Z(-40°C)/Z(20°C) | 4 | 4 | 4 | 4 | 4 | 4 | | | | | | | | | | | | | | | | | |

◆寸法図 / DIMENSIONS (mm)



◆リップル電流補正係数 / MULTIPLIER FOR RIPPLE CURRENT

| 周波数 (Hz) Frequency | 60 (50) | 120 | 1k | 10k | 100k≤ |
|-----------------------|---------|------|------|------|-------|
| 47~220μF | 0.30 | 0.40 | 0.75 | 0.92 | 1.00 |
| 330~1000μF | 0.40 | 0.50 | 0.80 | 0.95 | 1.00 |

◆副記号 / OPTION

標準品はブランクとなります。
Standard item is blank.

◆標準品一覧表 / STANDARD SIZE

| 定格電圧 Rated Voltage (Vdc) | 静電容量 Capacitance (μF) | 外形寸法 Size φD×L(mm) | 定格リップル電流 Rated ripple current (mA r.m.s./150°C, 100kHz) | 定格電圧 Rated Voltage (Vdc) | 静電容量 Capacitance (μF) | 外形寸法 Size φD×L(mm) | 定格リップル電流 Rated ripple current (mA r.m.s./150°C, 100kHz) |
|-----------------------------|--------------------------|-----------------------|--|-----------------------------|--------------------------|-----------------------|--|
| 10 | 470 | 10×16 | 370 | 35 | 100 | 10×16 | 370 |
| | 1000 | 12.5×20 | 600 | | 220 | 10×20 | 460 |
| 16 | 330 | 10×16 | 370 | | 330 | 12.5×20 | 600 |
| | 470 | 10×20 | 460 | | 470 | 12.5×25 | 750 |
| | 1000 | 12.5×25 | 750 | | 50 | 100 | 10×20 |
| 25 | 220 | 10×16 | 370 | | | 220 | 12.5×20 |
| | 330 | 10×20 | 460 | 330 | | 12.5×25 | 500 |
| 25 | 470 | 12.5×20 | 600 | 63 | 47 | 10×16 | 220 |
| | | | | | 100 | 12.5×20 | 350 |

◆呼称方法 / PART NUMBER

| | | | | | | |
|-----------------------|-----------------|---------------------|----------------------------------|---------------|-------------------------|---------------------|
| □□□ | RX50 | □□□□□ | M | □□□ | □□ | D×L |
| 定格電圧 Rated Voltage | シリーズ名 Series | 静電容量 Capacitance | 静電容量許容差 Capacitance Tolerance | 副記号 Option | リード加工記号 Lead Forming | ケースサイズ Case Size |