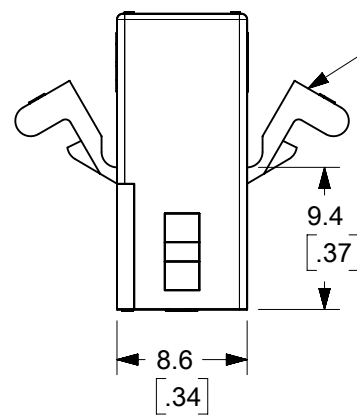
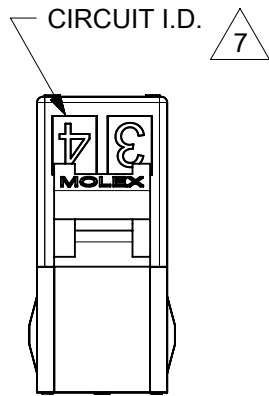
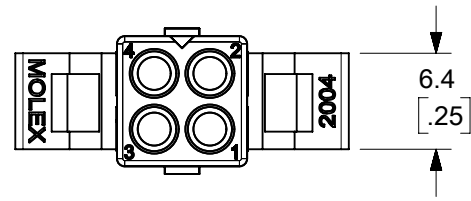
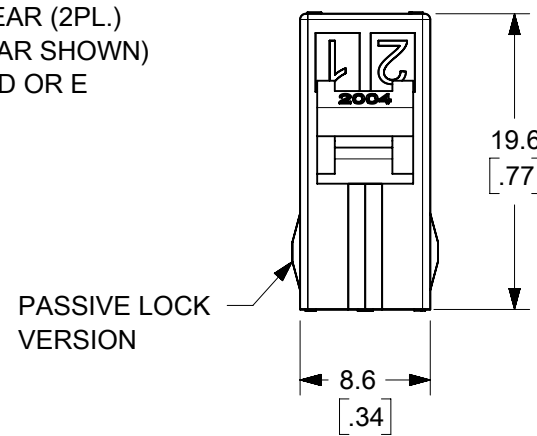


PLUG HOUSING

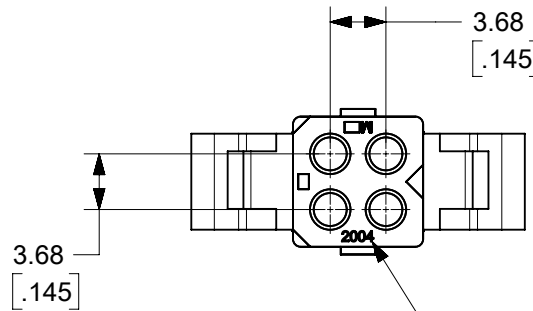
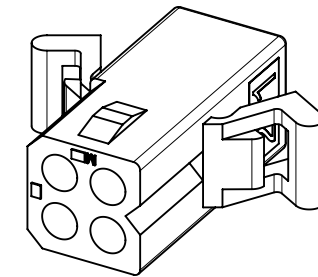
SYMBOLS										THIS DRAWING CONTAINS INFORMATION THAT IS PROPRIETARY TO MOLEX ELECTRONIC TECHNOLOGIES, LLC AND SHOULD NOT BE USED WITHOUT WRITTEN PERMISSION									
DIMENSION UNITS					SCALE					CURRENT REV DESC: REMOVE 2004-R, -RBK									
MM/IN					2:1					molex PLUG AND RECEPTACLE HOUSINGS 4 CIRCUIT .062 DIA., .145 CTRS.									
GENERAL TOLERANCES (UNLESS SPECIFIED)																			
4 PLACES ±					MM					INCH					EC NO: 172672				
3 PLACES ±					± 0.01					± 0.014					DRWN: ANESSER 2018/02/22				
2 PLACES ±					± 0.25					± 0.014					CHK'D: MKIPPER 2018/03/05				
1 PLACE ±					± 0.36					±					APPR: FSMITH 2018/03/06				
0 PLACES ±					±					±					INITIAL REVISION:				
ANGULAR TOL ± 1.0°					THIRD ANGLE PROJECTION					DRAWING					SERIES				
DRAFT WHERE APPLICABLE MUST REMAIN WITHIN DIMENSIONS					B-SIZE					2004					MATERIAL NUMBER				
															20040000-SD				
															CUSTOMER				
															GENERAL MARKET				
															SEE CHART				
															1 OF 3				



MOUNTING EAR (2PL.)
(PREBENT EAR SHOWN)
SEE DETAIL D OR E



PASSIVE LOCK
VERSION



ENG. NO. LOCATION
FOR PARTS W/O MOUNTING EARS

RECEPTACLE HOUSING

QUALITY SYMBOLS ▽ = 0 ▽ = 0 ▽ = 0 ▽ = 0 ▽ = 0 ▽ = 0 ▽ = 0 ▽ = 0 ▽ = 0 ▽ = 0	THIS DRAWING CONTAINS INFORMATION THAT IS PROPRIETARY TO MOLEX ELECTRONIC TECHNOLOGIES, LLC AND SHOULD NOT BE USED WITHOUT WRITTEN PERMISSION										
	REMOVE 2004-R, -RBK EC NO: 172672 DRWN: ANESSER CHK'D: MKIPPER APPR: FSMITH	2018/02/22		2018/03/05		2018/03/06		GENERAL TOLERANCES (UNLESS SPECIFIED)		DIMENSION UNITS	SCALE
										MM/IN	2:1
										DRWN BY	DATE
										BAPPELDORN	2016/09/22
										CHK'D BY	DATE
									MKIPPER	2016/09/22	
									APPR BY	DATE	
									FSMITH	2016/09/29	
									ANGULAR TOL ± 1.0	DRAWING SIZE	THIRD ANGLE PROJECTION
								DRAFT WHERE APPLICABLE MUST REMAIN WITHIN DIMENSIONS		B	
RELEASE STATUS		P1	RELEASE DATE		2018/03/06	17:54:10					

molex[®]

PLUG AND RECEPTACLE HOUSINGS 4 CIRCUIT
.062 DIA., .145 CTRS.

PRODUCT CUSTOMER DRAWING

SERIES	MATERIAL NUMBER	CUSTOMER
2004	SEE CHART	GENERAL MARKET
DOCUMENT NUMBER	DOC TYPE	DOC PART
20040000-SD	PSD	000
SHEET NUMBER		
2 OF 3		

PLUG	
PART NO.	ENG. NO.
03-06-2044	2004-P1
03-06-7044	2004-P1BK
46999-0719	2004-P2

RECEPTACLE	
PART NO.	ENG. NO.
03-06-1044	2004-R1
46999-0807	2004-R2

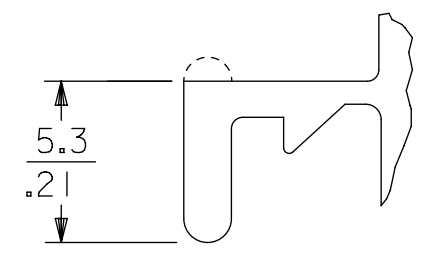
LEGEND:

P = PLUG
R = RECEPTACLE

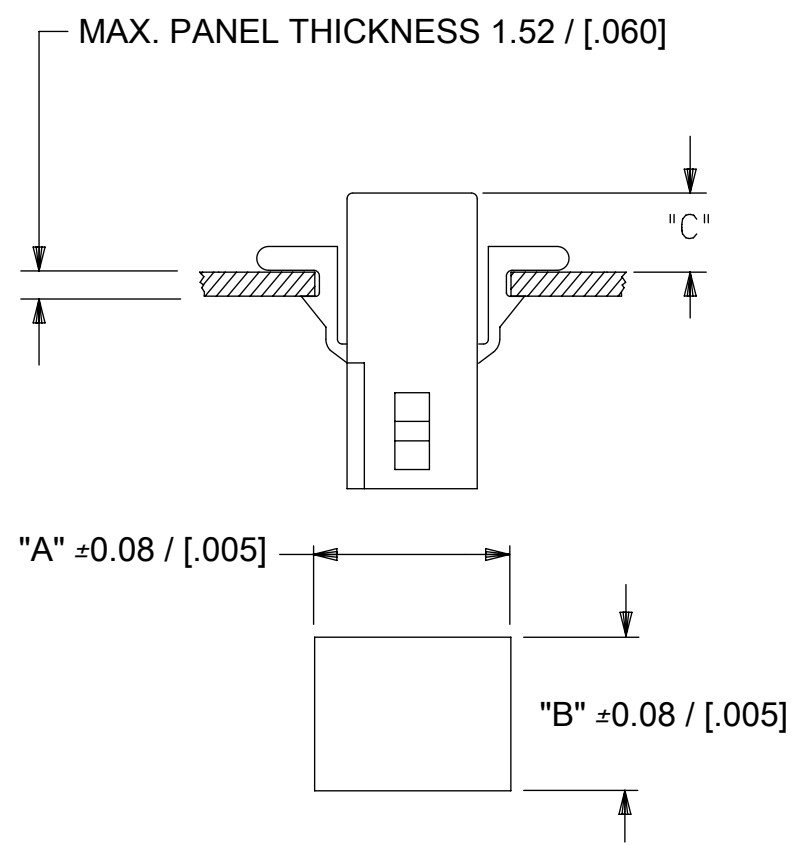
BLANK = WITH STANDARD EARS
1 = WITHOUT EARS
2 = WITH PREBENT EARS

COLOR:
BLANK = NATURAL
AM=AMBER BK=BLACK BU=BLUE
BN=BROWN GY=GRAY GN=GREEN
OR=ORANGE RD=RED YW=YELLOW

2004-***

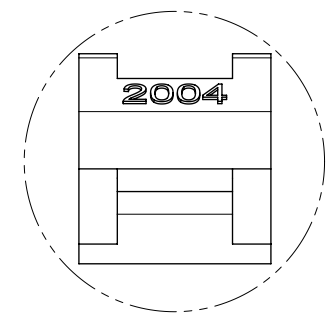


DETAIL D
STANDARD MOUNTING EARS
(SCALE 4:1)

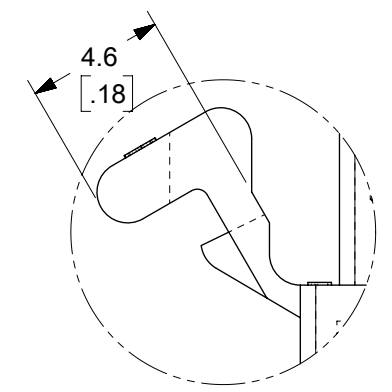


NOTES:

1. MATERIAL: NYLON 6/6 UL94V-2, COLOR: SEE LEGEND
2. FINISH: NONE
3. PRODUCT SPECIFICATION: PS-02-06
4. PACKAGING SPECIFICATION: 20040000-PK
5. THIS DIMENSION DEPENDS ON TOOLING AND MAY BE 0.75/(19.1) ON SOME PARTS.
6. HOUSINGS FOR USE WITH MOLEX .062/(1.57) DIA. TERMINALS.
7. CIRCUIT I.D. NUMBERS ON SIDE OF HOUSING DEPENDS ON TOOLING AND MAY OR MAY NOT BE PRESENT.
8. PARTS CONFORM TO CLASS B REQUIREMENTS OF COSMETIC SPECIFICATION PS-45499-002.
9. DRAWING REPLACES SD-2004-*



DETAIL F
SCALE 4:1



DETAIL E
SCALE 4:1

PRE-BENT MOUNTING EARS
(SCALE 4:1)

RECOMMENDED HOLE PATTERN

HOUSING	DIM. "A"		DIM. "B"		PREBENT EAR DIM. "C"		STD. EAR DIM. "C"	
	MM	IN	MM	IN	MM	IN	MM	IN
PLUG	15.62	.615	11.81	.465	6.6	.26	6.6	.26
RECEPTACLE	12.85	.506	10.16	.400	6.1	.24	6.1	.24

SYMBOLS										THIS DRAWING CONTAINS INFORMATION THAT IS PROPRIETARY TO MOLEX ELECTRONIC TECHNOLOGIES, LLC AND SHOULD NOT BE USED WITHOUT WRITTEN PERMISSION									
DIMENSION UNITS					SCALE					CURRENT REV DESC: REMOVE 2004-R, -RBK									
MM/IN					1:1					<p>EC NO: 172672</p> <p>DRWN: ANESSER 2018/02/22</p> <p>CHK'D: MKIPPER 2018/03/05</p> <p>APPR: FSMITH 2018/03/06</p> <p>INITIAL REVISION:</p> <p>DRWN: BAPPELDORN 2016/09/22</p> <p>APPR: FSMITH 2016/09/29</p>									
GENERAL TOLERANCES (UNLESS SPECIFIED)																			
4 PLACES ±		3 PLACES ±		2 PLACES ±		1 PLACE ±		0 PLACES ±		<p>PRODUCT CUSTOMER DRAWING</p> <p>DOCUMENT NUMBER: 20040000-SD</p> <p>DOC TYPE: PSD</p> <p>DOC PART: 000</p> <p>REVISION: A2</p>									
± .01		± 0.014		± 0.36		±		±											
ANGULAR TOL ± 1.0°					DRAFT WHERE APPLICABLE MUST REMAIN WITHIN DIMENSIONS					THIRD ANGLE PROJECTION					DRAWING SERIES				
B-SIZE					2004					MATERIAL NUMBER					CUSTOMER				
SEE CHART					GENERAL MARKET					SHEET NUMBER					3 OF 3				