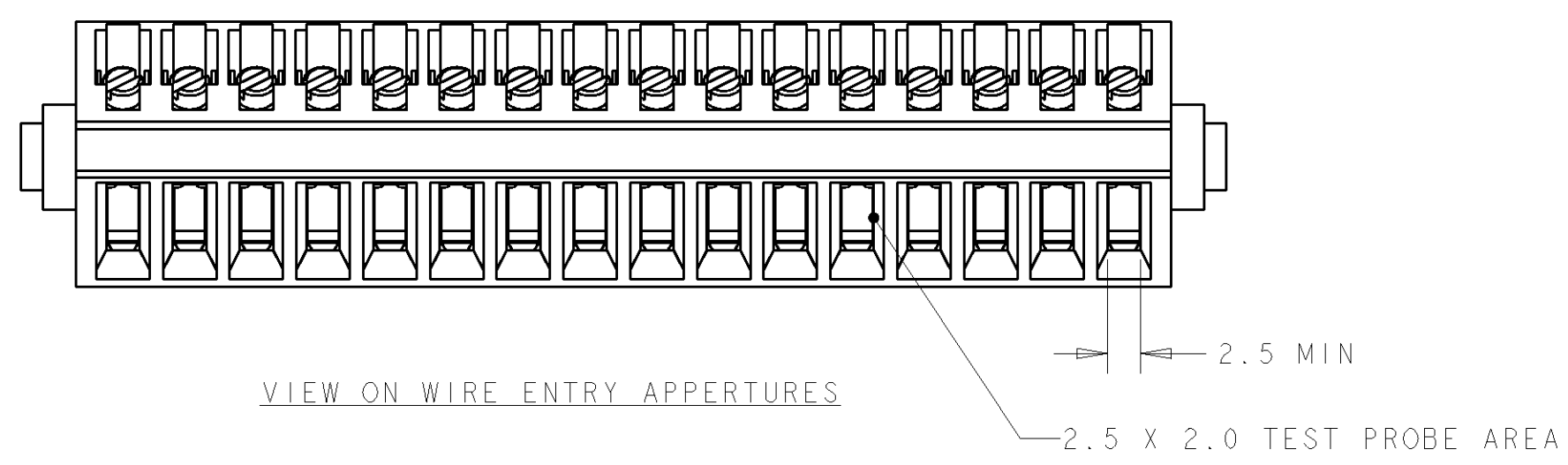
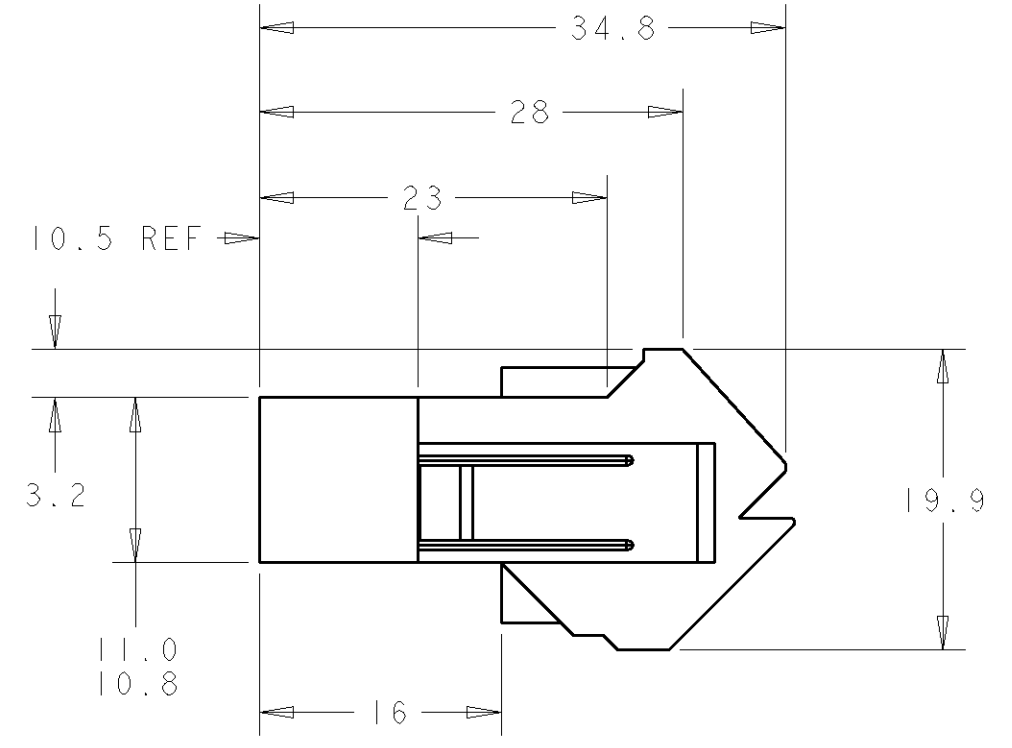
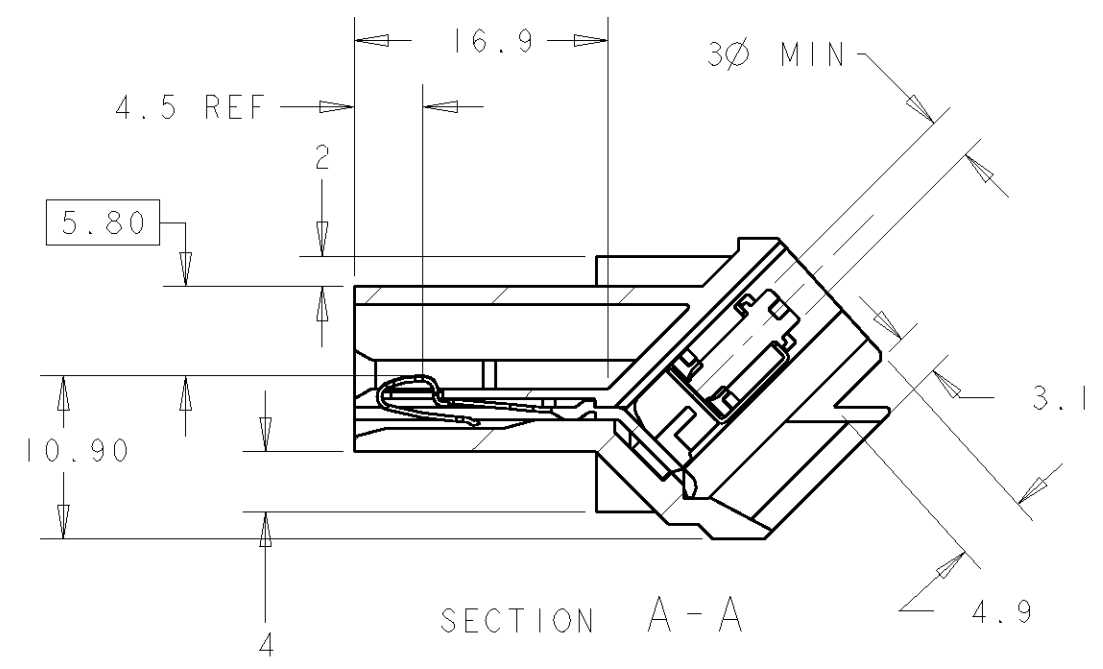
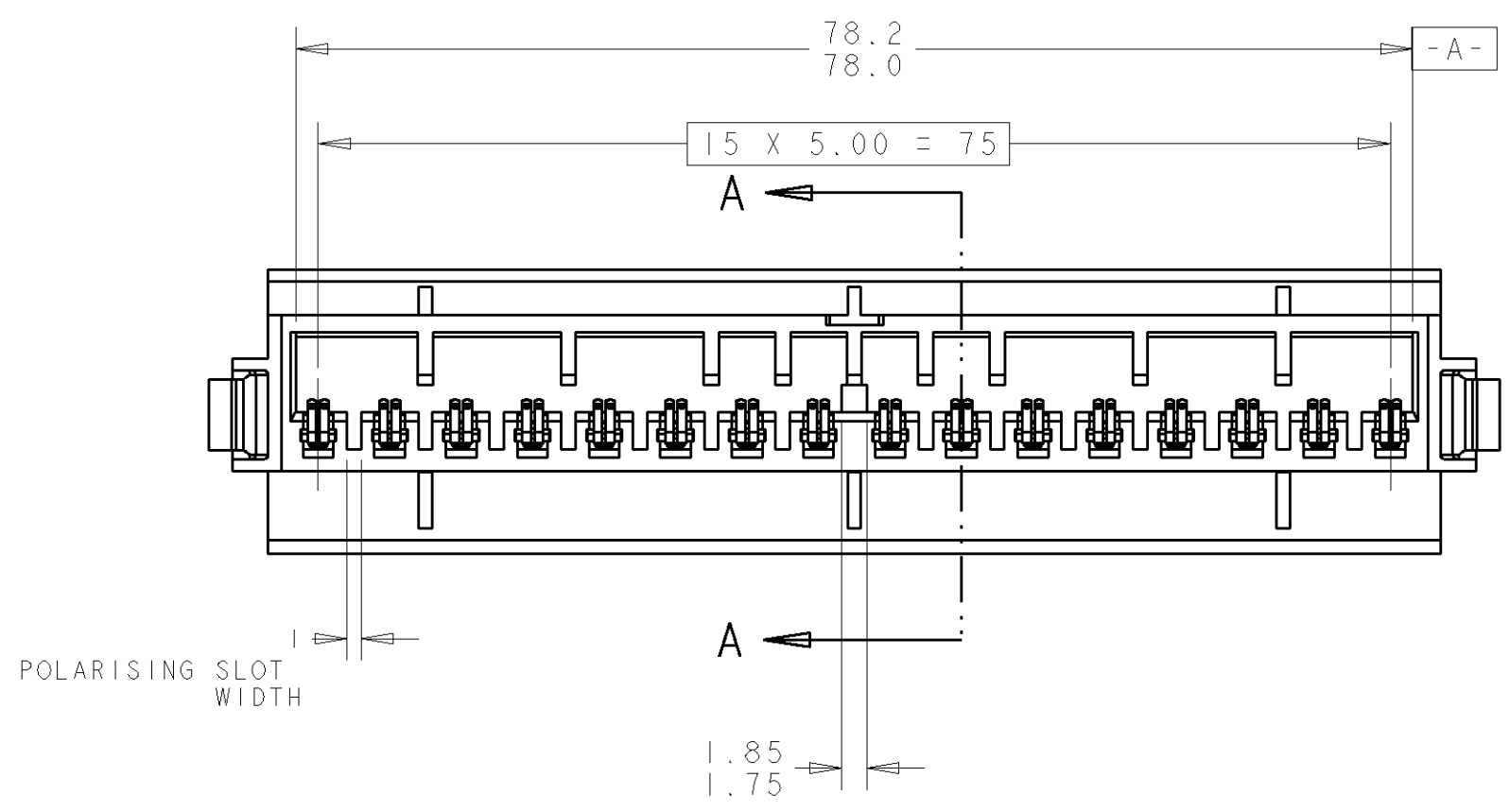
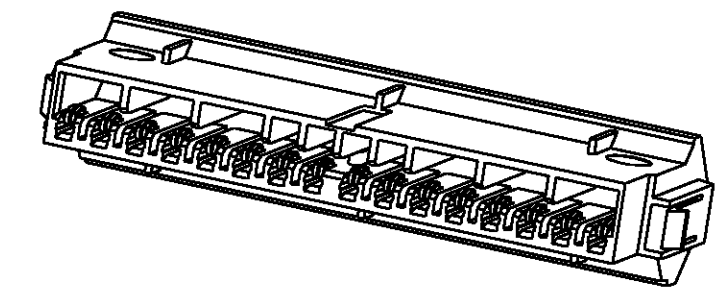
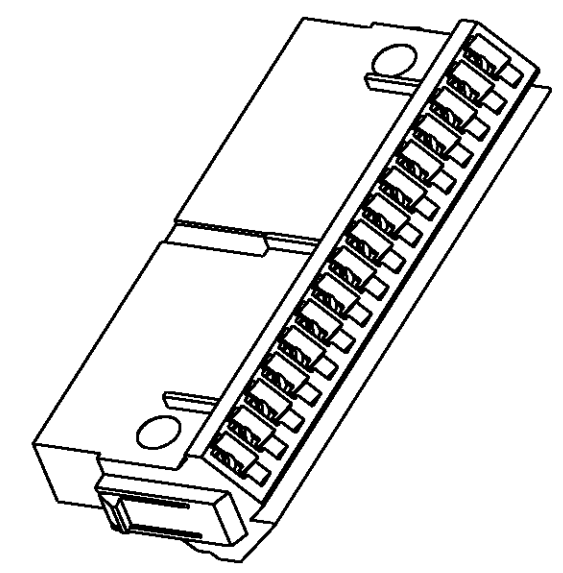
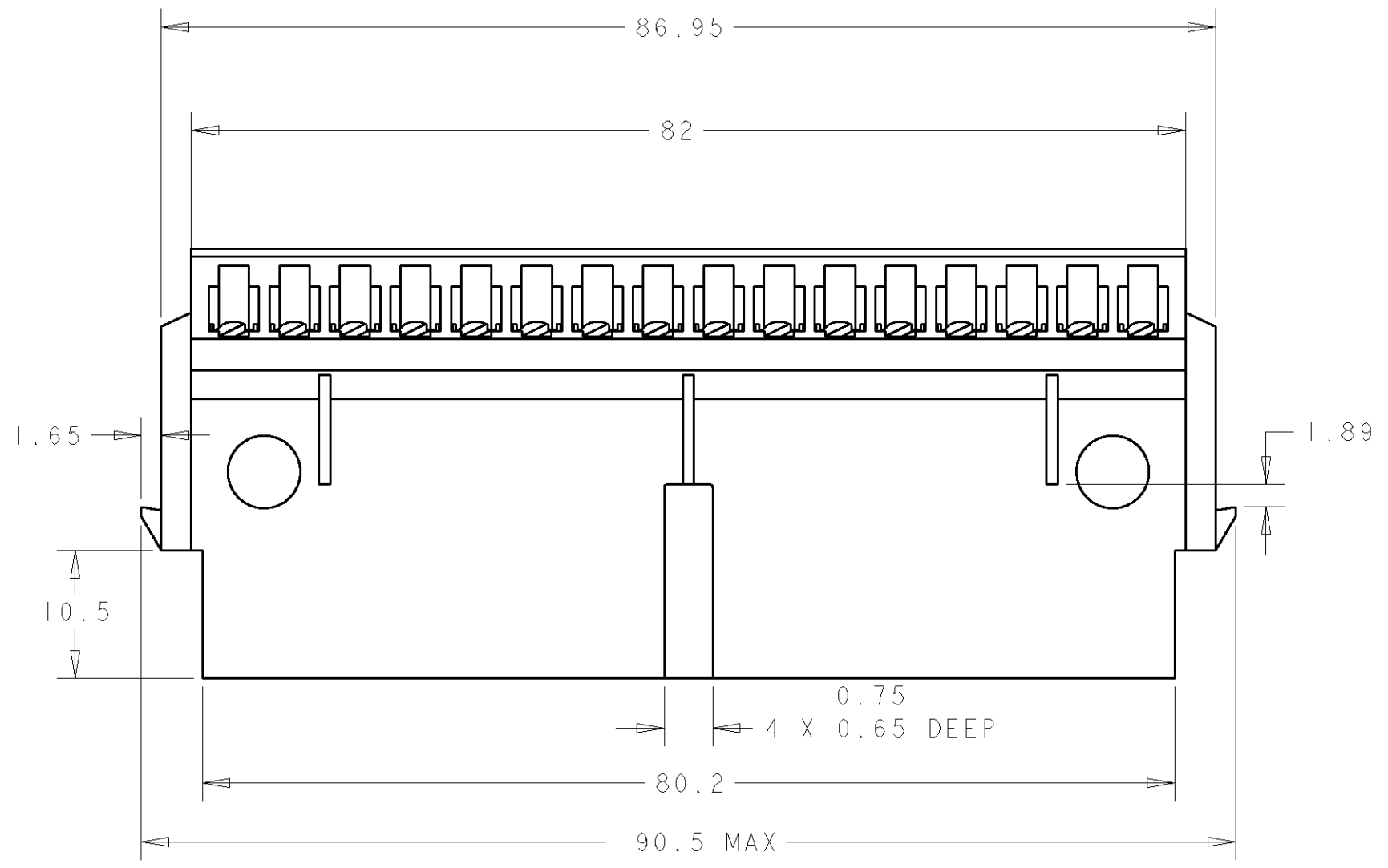


THIS DRAWING IS UNPUBLISHED. RELEASED FOR PUBLICATION 20
 © COPYRIGHT 20 BY TYCO ELECTRONICS CORPORATION. ALL RIGHTS RESERVED.

LOC	DIST	REVISIONS					
E	B	P	LTR	DESCRIPTION	DATE	DWN	APVD
		A		ECR-05-016525	28NOV2005	MJG	JA
		B		ECO-05-015895	16/12/05	MJG	JA
		C		ECR-07-015370	25/06/07	MJG	JA



ASSY PT NO	QTY	FINISH	MATERIAL	DESCRIPTION	ITEM
2-346220-1	1	Black	POLYCARBONATE	HOUSING	3
	16	Zi & Trivalent Pass	MILD STEEL	SCREW CLAMP ASSY	2
	16	Au over Ni	Ph Bz	I/O EDGE CONTACT	1
1-346220-1	1	Black	POLYCARBONATE	HOUSING	3
	16	Zi & Trivalent Pass	MILD STEEL	SCREW CLAMP ASSY	2
	16	Au over Ni	Ph Bz	I/O EDGE CONTACT	1

<small>THIS DRAWING IS A CONTROLLED DOCUMENT FOR TYCO ELECTRONICS CORPORATION IT IS SUBJECT TO CHANGE AND THE CONTROLLING ENGINEERING ORGANIZATION SHOULD BE CONTACTED FOR THE LATEST REVISION.</small>		DWN M.GREENER 04NOV2005 CHK J.AMBROSE 04NOV2005 APVD E.WHEELER-KING 04NOV2005	tyco Electronics Tyco Electronics Bideford, devon. EX39 4HA
DIMENSIONS: mm 	TOLERANCES UNLESS OTHERWISE SPECIFIED: 0 PLC ± 1 PLC ±0.5 2 PLC ±0.2 3 PLC ±0.2 4 PLC ± ANGLES ±1 FINISH	PRODUCT SPEC 108-3177 APPLICATION SPEC 114-3149 WEIGHT - CUSTOMER DRAWING	NAME 16 POSITION WIRE TO BOARD I/O CONNECTOR WITH CJC ACCOMODATION SIZE CAGE CODE DRAWING NO RESTRICTED TO A2p0779C-346218 SCALE 2:1 SHEET 1 OF 1 REV C