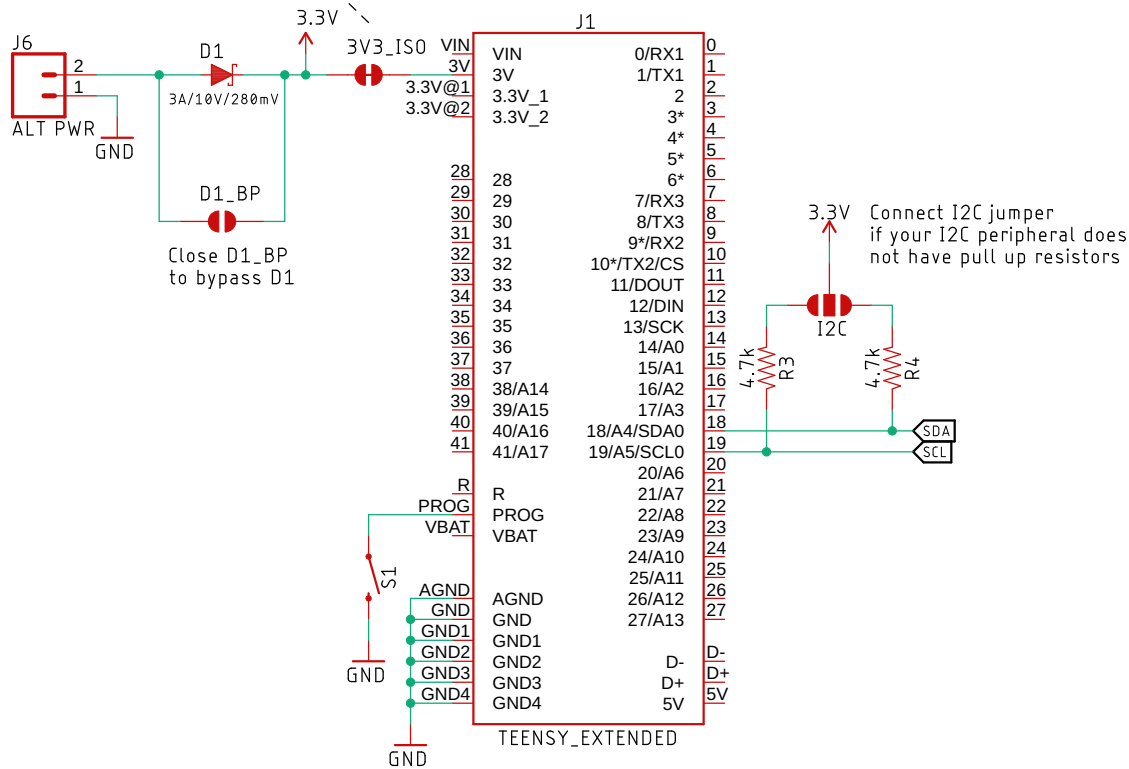


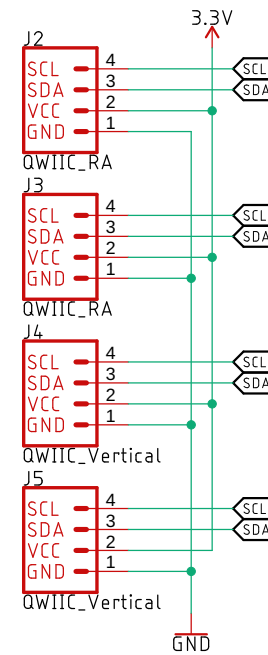
# Teensy Footprint

VCC: 3.3V (Qwiic)

(Teensy provides 3.3V/250mA max)  
To use ALT power input, Cut 3V3 ISO Jumper



# Qwiic Connectors



Released under the Creative Commons Attribution Share-Alike 4.0 License    
<https://creativecommons.org/licenses/by-sa/4.0/>

TITLE: Qwiic\_Shield\_for\_Teensy\_Extended

Design by: Pete Lewis REV: v10

Date: 9/2/2020 2:10 PM Sheet: 1/1