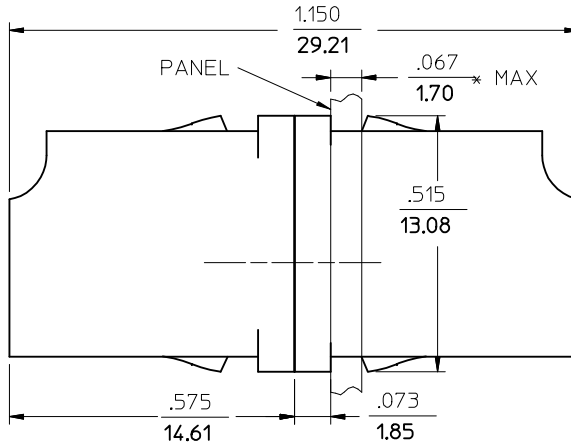
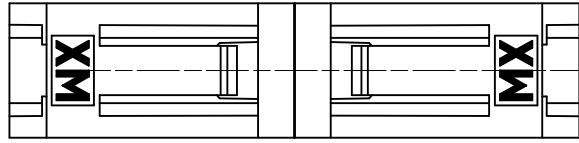
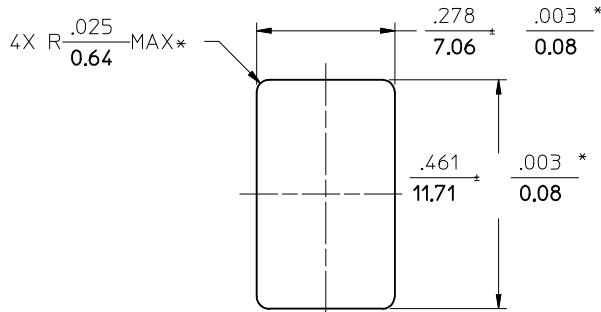
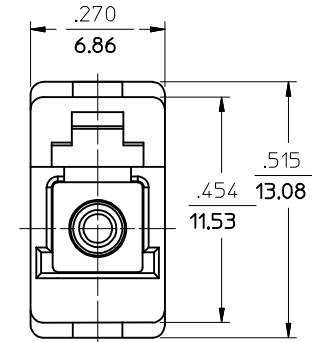


ADAPTER P/N	COLOR	SPLIT SLEEVE MATERIAL
106124-1100	BLUE	ZIRCONIA - ZrO ₂
106124-0110	BEIGE	Ph. Bronze
106124-1150	GREEN	ZIRCONIA - ZrO ₂
106124-0100	BLUE	Ph. Bronze
106124-1110	BEIGE	ZIRCONIA - ZrO ₂
106124-1130	BLACK	ZIRCONIA - ZrO ₂



(DUST CAPS ARE NOT SHOWN)



RECOMMENDED PANEL CUTOUT
 PANEL THICKNESS $\frac{.067}{1.70}$ MAX.

- NOTES:
 1. ALL DIMENSIONS ARE FOR REFERENCE ONLY, EXCEPT WHEN MARKED WITH (*).

ENTER DESCRIPTION EC NO: MF2013-0244 DRW: MKPEVZNER 2012/10/29 CHKD: APPR: LGUMIN 2012/10/31 REV B1	QUALITY SYMBOLS ▽=0 ▽=0	GENERAL TOLERANCES (UNLESS SPECIFIED) <table border="1"> <thead> <tr> <th></th> <th>mm</th> <th>INCH</th> </tr> </thead> <tbody> <tr> <td>4 PLACES</td> <td>± .005</td> <td>± .0004</td> </tr> <tr> <td>3 PLACES</td> <td>± .004</td> <td>± .0003</td> </tr> <tr> <td>2 PLACES</td> <td>± .003</td> <td>± .0002</td> </tr> <tr> <td>1 PLACE</td> <td>± .002</td> <td>± .0001</td> </tr> <tr> <td>0 PLACE</td> <td>± .001</td> <td>± .0000</td> </tr> </tbody> </table>		mm	INCH	4 PLACES	± .005	± .0004	3 PLACES	± .004	± .0003	2 PLACES	± .003	± .0002	1 PLACE	± .002	± .0001	0 PLACE	± .001	± .0000	DIMENSION STYLE IN/MM	SCALE 1:1	DESIGN UNITS INCH	THIRD ANGLE PROJECTION
		mm	INCH																					
	4 PLACES	± .005	± .0004																					
	3 PLACES	± .004	± .0003																					
2 PLACES	± .003	± .0002																						
1 PLACE	± .002	± .0001																						
0 PLACE	± .001	± .0000																						
MATERIAL NO. SEE TABLE		DRAWN BY PGIBLIN DATE 2005/10/03		TITLE LC ADAPTER																				
DRAFT WHERE APPLICABLE MUST REMAIN WITHIN DIMENSIONS		CHECKED BY DATE		APPROVED BY DATE																				
ANGULAR ±1/2°		DOCUMENT NO. SD-106124-X1X0		SHEET NO. 1 OF 1																				