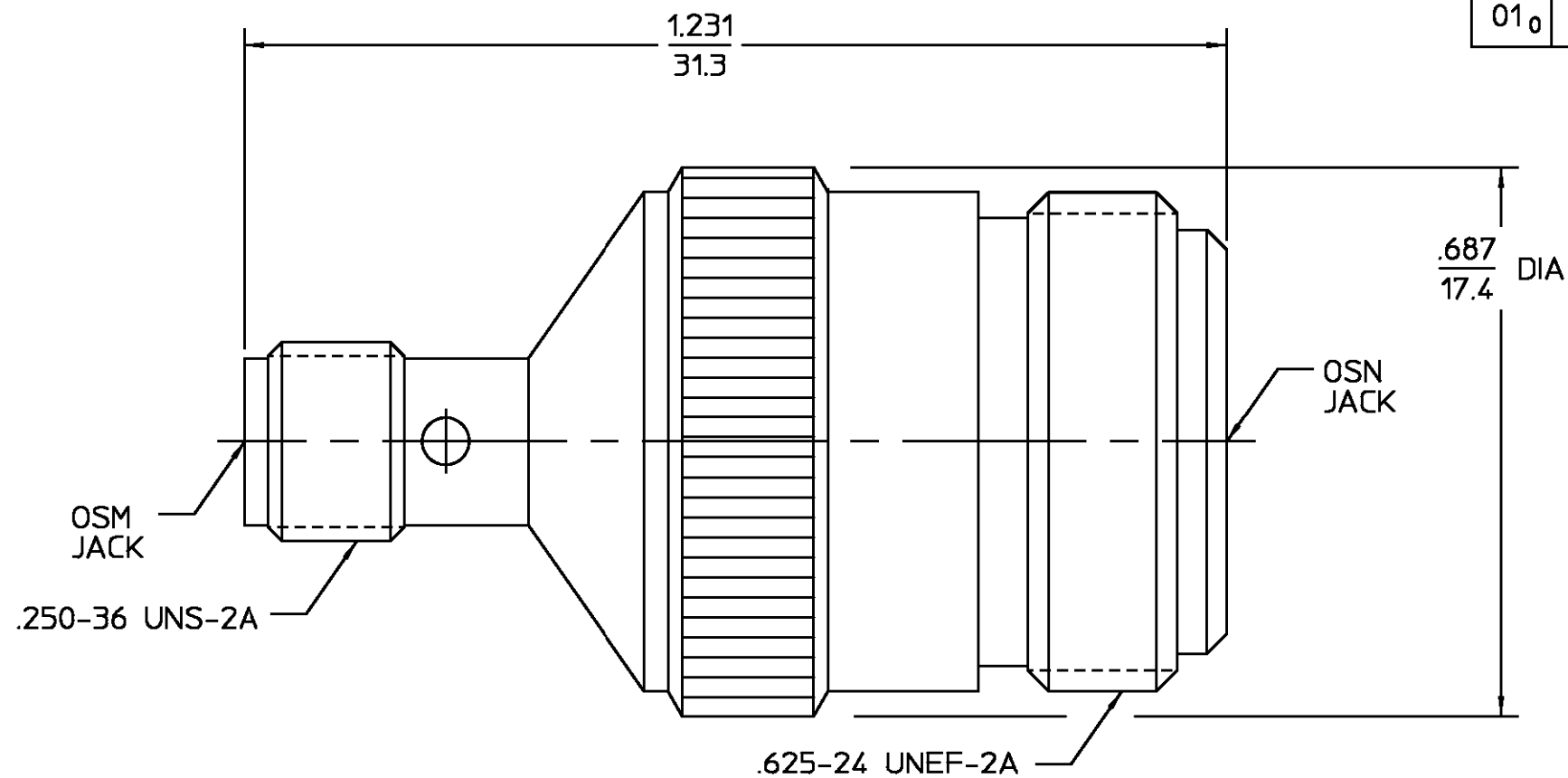


REVISIONS			
REV	DESCRIPTION	DATE	APPROVED
01 ₀	RELEASED	03/17/95	<i>JPD</i>



**COPY IN PUERTO RICO
DESIGN CONTROL REQUIRED**

HOUSING	STAINLESS STEEL PER ASTM-A484 AND ASTM- A582, TYPE 303	PASSIVATE PER QQ-P-35
DIELECTRIC	TFE FLUOROCARBON PER ASTM-D-1457	N/A
CENTER CONTACT	BERYLLIUM COPPER PER ASTM-B-196 OR ASTM-B-197, ALLOY C17300, CONDITION H	GOLD PLATE PER MIL-G-45204
COMPONENT	MATERIAL	FINISH
UNLESS OTHERWISE SPECIFIED DIMENSIONS ARE IN INCHES		
FRAC. ± 1/64	DEC. ± .005	ANGLES ± 1°
DRAWN BY <i>J.Davis</i> DATE 03/17/95		AMP Incorporated 140 Fourth Avenue Waltham, MA 02451-7599
CHECKED BY		AMP
APPD BY		
These drawings and specifications are the property of M/A COM Interconnect Div. and shall not be reproduced or copied or used in whole or in part as the basis for the manufacture or sale of item(s) without written permission.		TITLE OSM JACK TO OSN JACK ADAPTER
USE ASSY PROCEDURE		SIZE B
NO. A.P. N/A		CODE IDENT NO. 26805
		1250-1404-00
		REV 01 ₀
		SCALE 5 : 1
		N/A
		SHEET 1 OF 1

NOTES:
1. CAPTURED CENTER CONTACT

.XXX = in
XX.X = mm

CUSTOMER DRAWING

AMP PART # 1046257-1
SHEET 1 OF 1 REV A