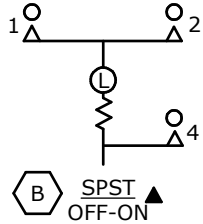


RECOMMENDED PANEL MOUNTING

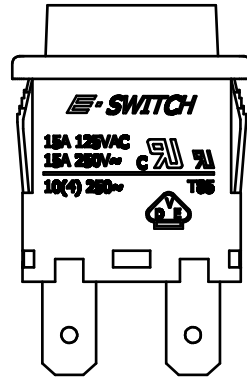
PANEL THICKNESS	X
0.75-1.25	19.2
1.25-2.00	19.4
2.00-3.00	19.6

SWITCH FUNCTION	
POS. 1	POS. 2
OFF	ON
OFF	1-2

SPST



SPST
OFF-ON



RED ACTUATOR

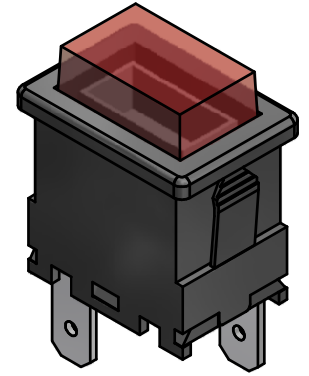
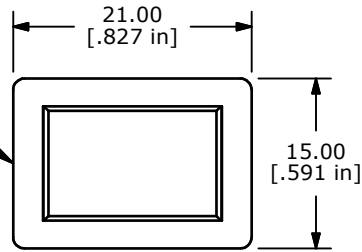
BLACK HOUSING

9.30
[.366 in]

2.00
[.079 in]

.80
[.031 in]

10.00
[.394 in]



D

14.80
[.583 in]

6.50
[.256 in]

17.90
[.705 in]

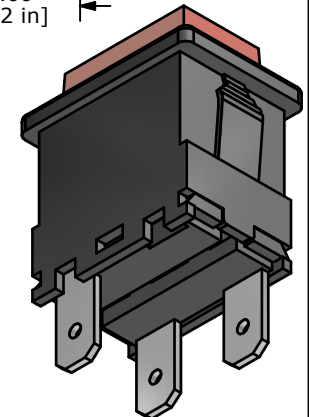
8.20
[.323 in]

13.00
[.512 in]

4.75
[.187 in]

10.90
[.429 in]

19.20
[.756 in]



NOTES:

- ALL DIMENSIONS IN MM [INCH]
- GENERAL TOLERANCE: X.X \pm 0.4
X.XX \pm 0.25
- MECHANICAL LIFE: 30,000
- ELECTRICAL LIFE: 10,000
- CONTACT RESISTANCE: 20 m Ω
- INSULATION RESISTANCE: 1000 M Ω
- OPERATING TEMPERATURE: -10°C TO 55°C
- CONTACT RATING: 15A-250 VAC, 125VAC, UL APPROVED
10A 250VAC, VDE APPROVED
- DIELECTRIC STRENGTH: 1500V FOR 1 MIN
- LAMP: NEON, 125VAC
- ▲ DENOTES CRITICAL PARAMETER
- 2002/95/EC (RoHS) COMPLIANT.
- OPERATING FORCE: 750 \pm 100grams



REV	PCR NO	DESCRIPTION	DATE	BY
D	21294	MODEL HAD FOUR TERMINALS	11/5/13	EBP
C	17722	ADDED NOTE # 13	9/27/07	BF

TITLE PB1973CBLKRILEF1				
SCALE	1.5	DATE	9/27/2007	DR
				BF
DWG	M197301	REV	D	

THE INFORMATION CONTAINED IN THIS DOCUMENT IS PROPRIETARY TO E-SWITCH AND IS NOT TO BE COPIED OR TRANSFERRED