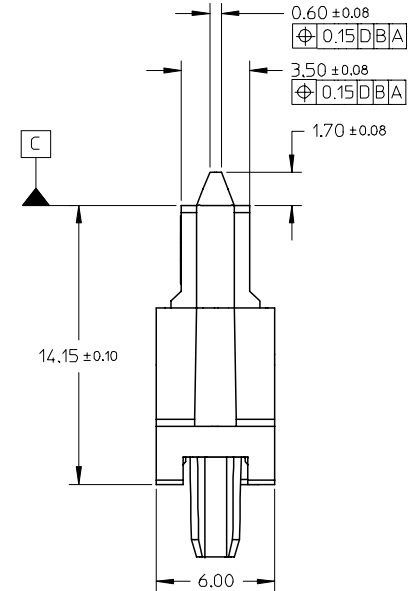
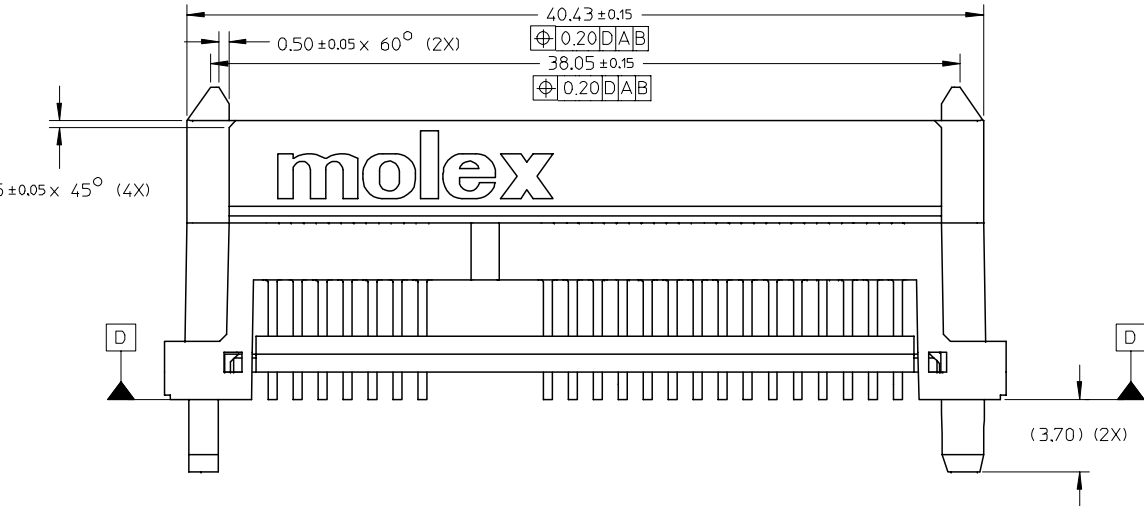
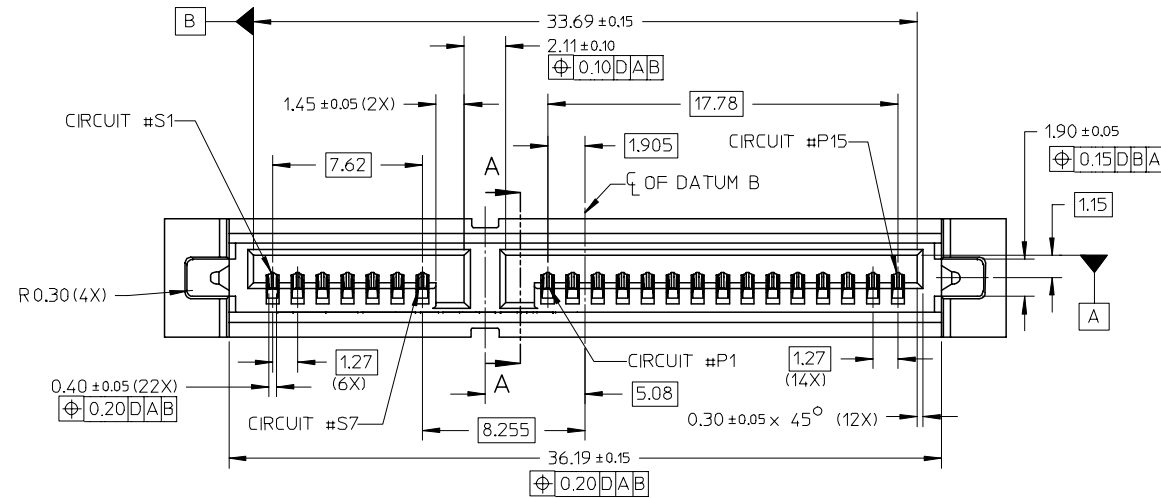


10 9 8 7 6 5 4 3 2 1



NOTES:

- MATERIAL: HIGH TEMPERATURE THERMOPLASTIC, UL 94V-0, COLOR: BLACK
TERMINAL: COPPER ALLOY
- PLATING
CONTACT: 0.76µm MIN. SELECTIVE GOLD
OVER 1.27µm MIN. NICKEL UNDERPLATE
SOLDERTAIL: 2.54µm MIN. TIN OVER 1.27µm MIN. NICKEL UNDERPLATE
- MOLEX LOGO LOCATED APPROXIMATELY AS SHOWN
- MAXIMUM WARPAGE OF 0.13 mm OVER THE LENGTH OF THE CONNECTOR IN ANY DIRECTION BEFORE AND AFTER EXPOSURE TO MAX. 260°C FOR 10 SECONDS
- PRODUCT SPECIFICATION: PS-87781-005 APPLIES
- PACKAGING
30 CONNECTORS PER TRAY

THE DESIGN IS BASED ON DESIGN OBJECTIVES AND IS STRICTLY TENTATIVE. IT MAY CHANGE BASED ON RESULTS OF ADDITIONAL DESIGN REVIEWS & VERIFICATIONS

EC NO: S2005-0571	2005/02/05	DRWN:KHLIM	2005/02/14	CHKD:KCLIM	2005/02/14	APPR:SKTOH	2005/02/16
A	REV	DESCRIPTION					

QUALITY SYMBOLS	▽=0
	∇=0

GENERAL TOLERANCES (UNLESS SPECIFIED)	
	mm
	INCH
4 PLACES	± ---
3 PLACES	± ---
2 PLACES	± 0.20
1 PLACE	± ---
ANGULAR ± 3°	
DRAFT WHERE APPLICABLE MUST REMAIN WITHIN DIMENSIONS	

DIMENSION STYLE		SCALE		DESIGN UNITS	
MM ONLY		NTS		METRIC	
DRAWN BY	DATE	TITLE			
KHLIM	2004/01/12	SERIAL ATA BACKPLANE EXTENDED HEIGHT SIL SMT RECEPTACLE			
CHECKED BY	DATE				
KCLING	2005/02/03	MOLEX INCORPORATED			
APPROVED BY	DATE				
SKTOH	2005/02/04	MATERIAL NO.		DOCUMENT NO.	SHEET NO.
	87781-1001	SD-87781-017		1 OF 4	

THIRD ANGLE PROJECTION					
MOLEX INCORPORATED					
THIS DRAWING CONTAINS INFORMATION THAT IS PROPRIETARY TO MOLEX INCORPORATED AND SHOULD NOT BE USED WITHOUT WRITTEN PERMISSION					

9 8 7 6 5 4 3 2 1

10 9 8 7 6 5 4 3 2 1

F

E

D

C

B

A

F

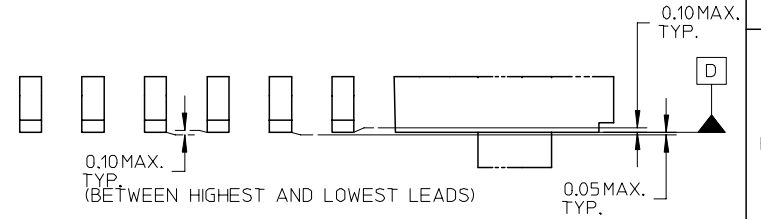
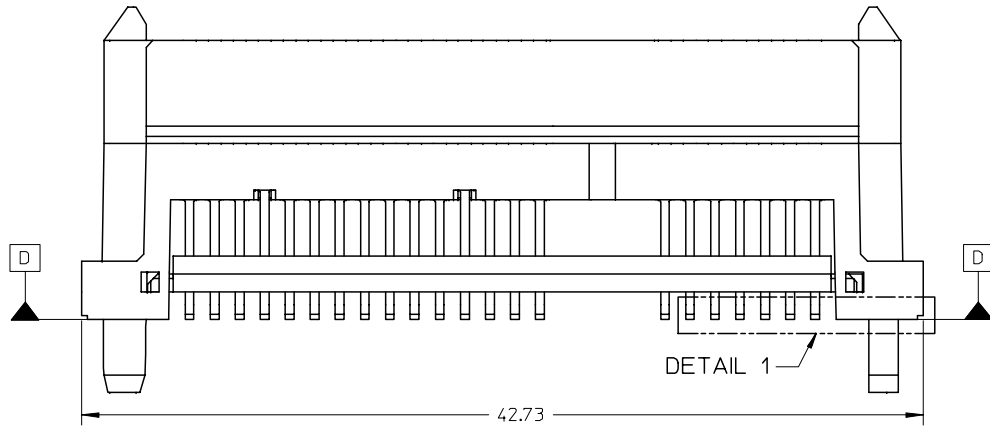
E

D

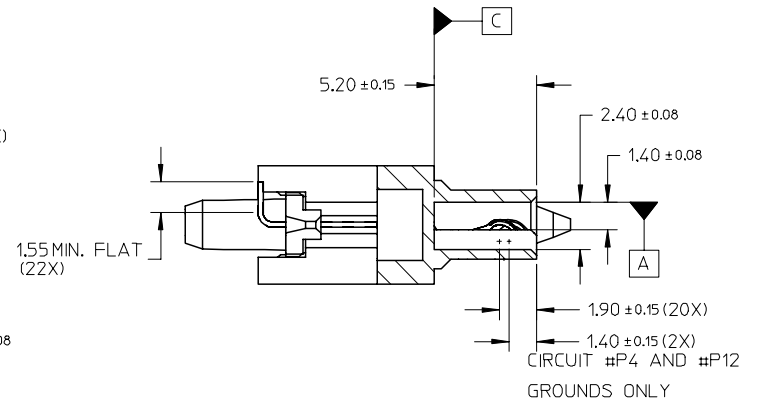
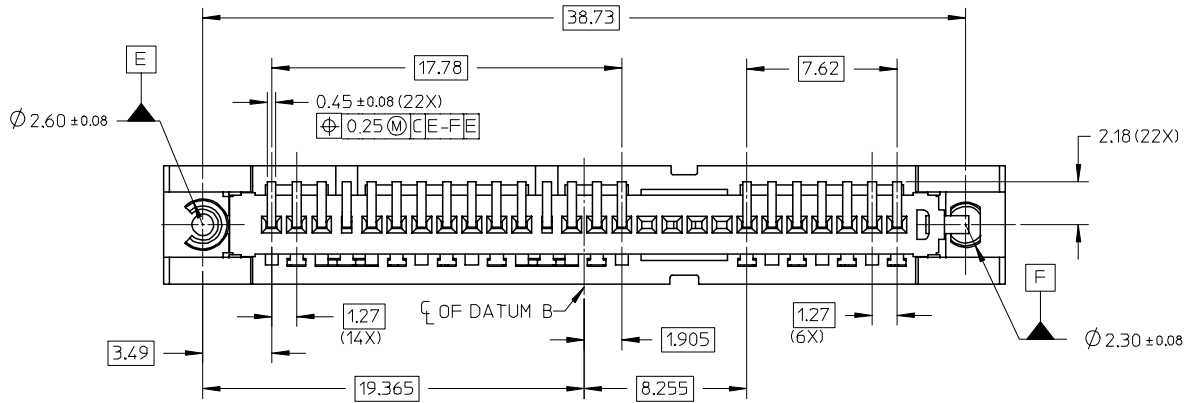
C

B

A



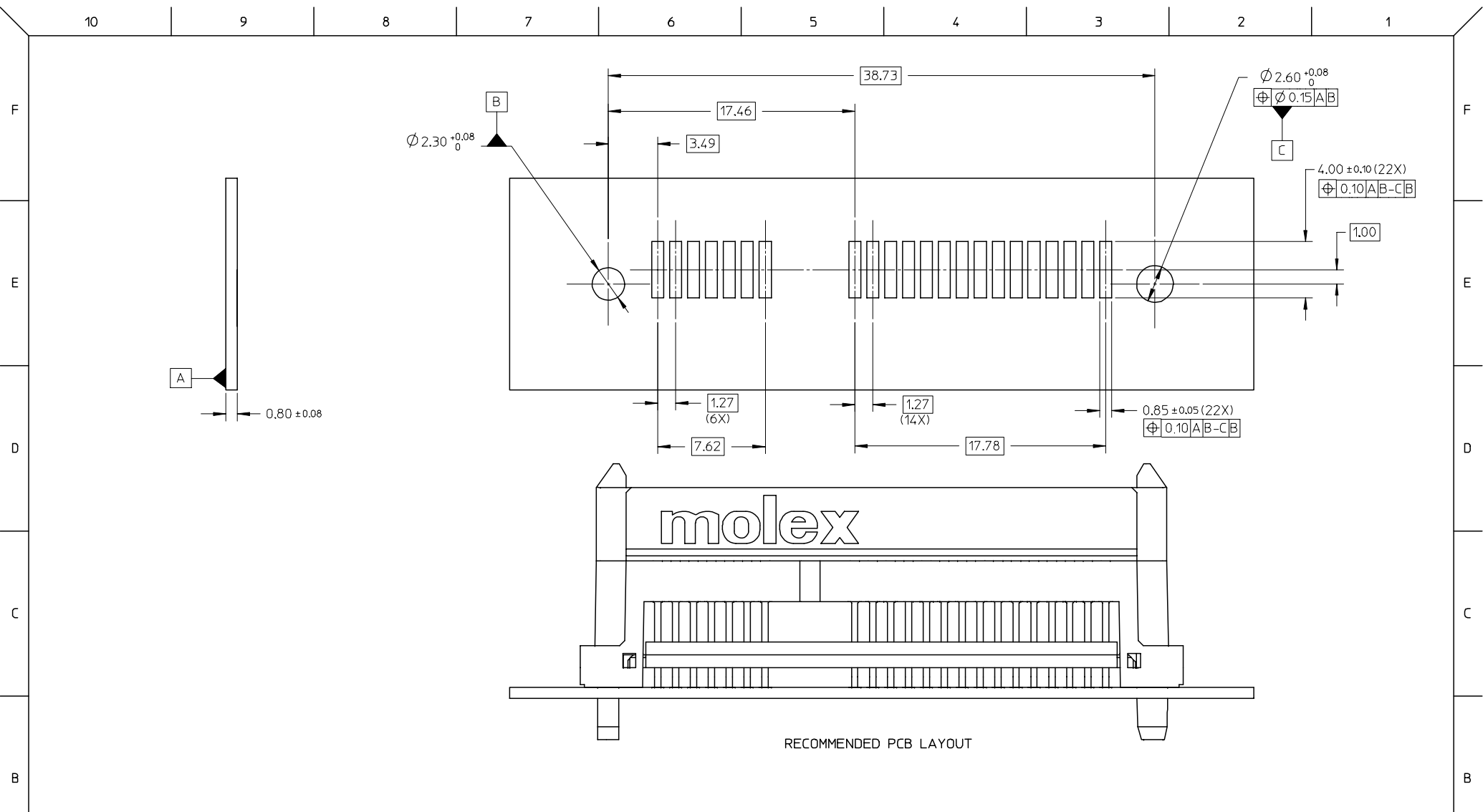
DETAIL 1



SECTION A-A

EC NO: S2005-0571 DRWN:KHLIM 2005/02/05 CHKD:KCLING 2005/02/14 APPR:SKTOH 2005/02/16	QUALITY SYMBOLS ▽=0 ◻=0	GENERAL TOLERANCES (UNLESS SPECIFIED)		DIMENSION STYLE MM ONLY		SCALE NTS	DESIGN UNITS METRIC	THIRD ANGLE PROJECTION			
		4 PLACES ± --- ± ---	3 PLACES ± --- ± ---	2 PLACES ± 0.20 ± ---	1 PLACE ± --- ± ---	ANGULAR ± 3 °	DRAWN BY KHLIM	DATE 2004/01/12	SERIAL ATA BACKPLANE EXTENDED HEIGHT SIL SMT RECEPTACLE		
							CHECKED BY KCLING	DATE 2005/02/03			
							APPROVED BY SKTOH	DATE 2005/02/04	MOLEX INCORPORATED		
A	REV	DRAFT WHERE APPLICABLE MUST REMAIN WITHIN DIMENSIONS			MATERIAL NO. 87781-1001	DOCUMENT NO. SD-87781-017	SHEET NO. 2 OF 4				

9 8 7 6 5 4 3 2 1



RECOMMENDED PCB LAYOUT

EC NO: S2005-0571 DRWN:KHLIM 2005/02/05 CHKD:KCLING 2005/02/14 APPR:SKTOH 2005/02/16	QUALITY SYMBOLS ▽=0 ▽C=0	GENERAL TOLERANCES (UNLESS SPECIFIED)		DIMENSION STYLE MM ONLY		SCALE NTS	DESIGN UNITS METRIC	THIRD ANGLE PROJECTION			
		4 PLACES ± --- ± ---	3 PLACES ± --- ± ---	2 PLACES ± 0.20 ± ---	1 PLACE ± --- ± ---	ANGULAR ± 3 °	DRAWN BY KHLIM	DATE 2004/01/12	TITLE SERIAL ATA BACKPLANE EXTENDED HEIGHT SIL SMT RECEPTACLE		
		DRAFT WHERE APPLICABLE MUST REMAIN WITHIN DIMENSIONS					CHECKED BY KCLING	DATE 2005/02/03	MOLEX MOLEX INCORPORATED		
		APPROVED BY SKTOH					DATE 2005/02/04	MATERIAL NO. 87781-1001	DOCUMENT NO. SD-87781-017	SHEET NO. 3 OF 4	

10 9 8 7 6 5 4 3 2 1

F

F

E

E

D

D

C

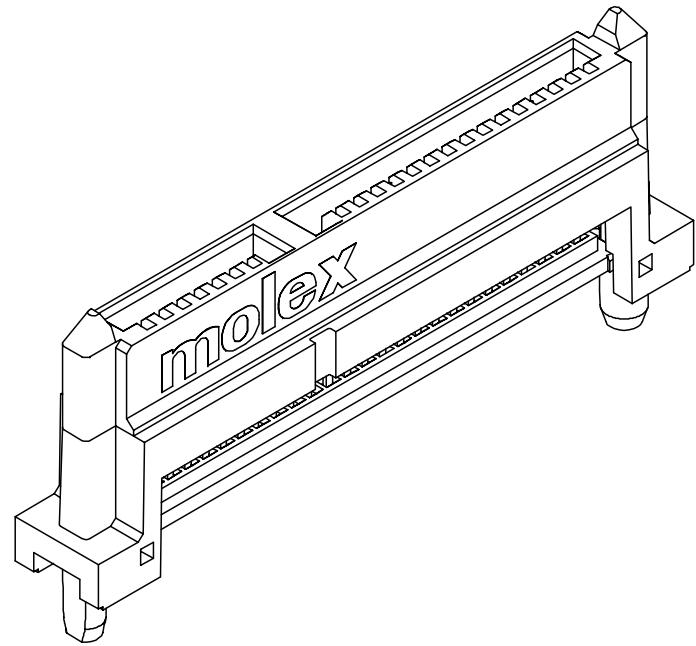
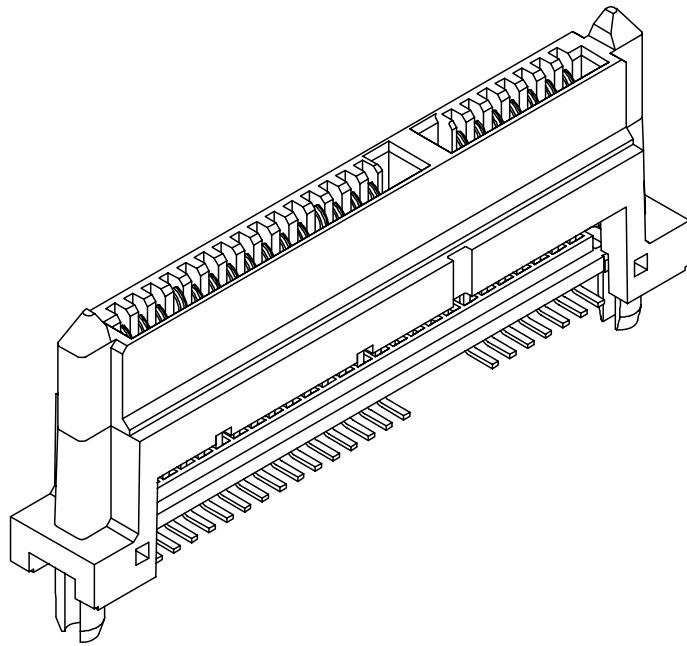
C

B

B

A

A



EC NO: S2005-0571 2005/02/05 DRWN:KHLIM 2005/02/14 CHKD:KCLING APPR:SKTOH 2005/02/16	DESCRIPTION REV	QUALITY SYMBOLS ▽=0 ◻=0	GENERAL TOLERANCES (UNLESS SPECIFIED)		DIMENSION STYLE MM ONLY		SCALE NTS	DESIGN UNITS METRIC	THIRD ANGLE PROJECTION		
			4 PLACES ± --- ± --- 3 PLACES ± --- ± --- 2 PLACES ± 0.20 ± --- 1 PLACE ± --- ± ---	mm INCH	DRAWN BY KHLIM	DATE 2004/01/12	TITLE SERIAL ATA BACKPLANE EXTENDED HEIGHT SIL SMT RECEPTACLE				
			ANGULAR ± 3 °		CHECKED BY KCLING	DATE 2005/02/03	MOLEX INCORPORATED				
			DRAFT WHERE APPLICABLE MUST REMAIN WITHIN DIMENSIONS		APPROVED BY SKTOH	DATE 2005/02/04	MATERIAL NO. 87781-1001	DOCUMENT NO. SD-87781-017	SHEET NO. 4 OF 4		

9 8 7 6 5 4 3 2 1