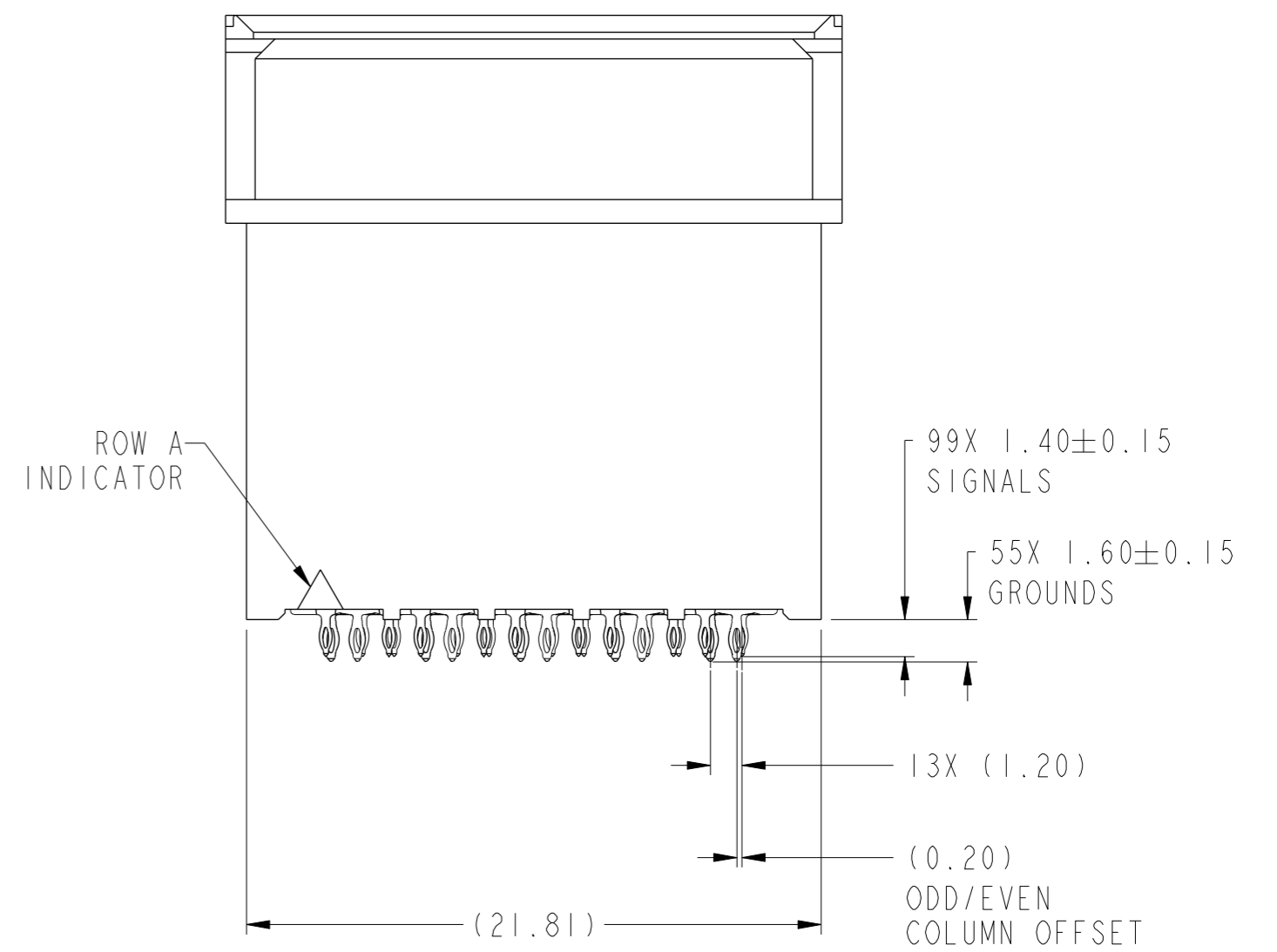
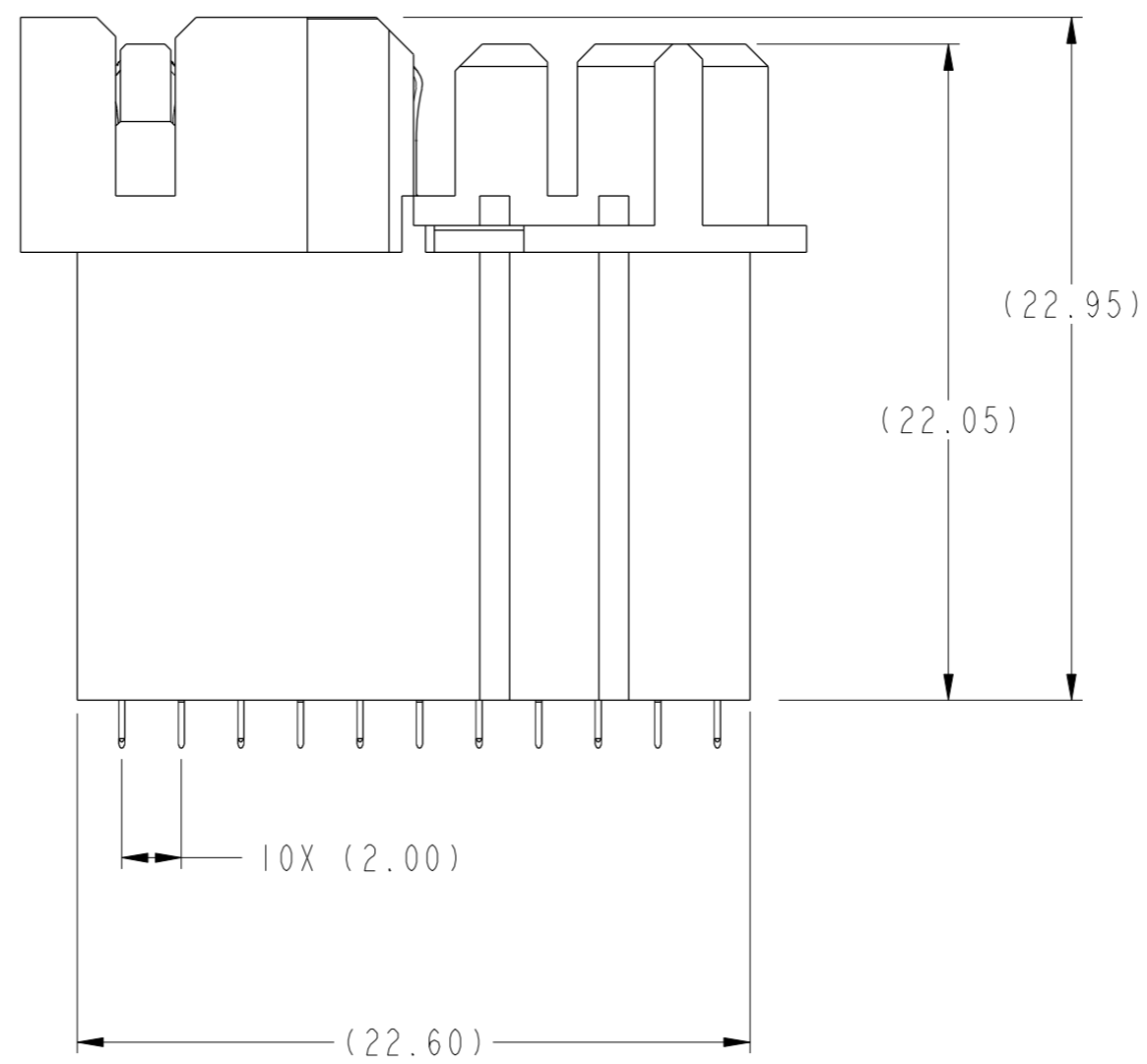
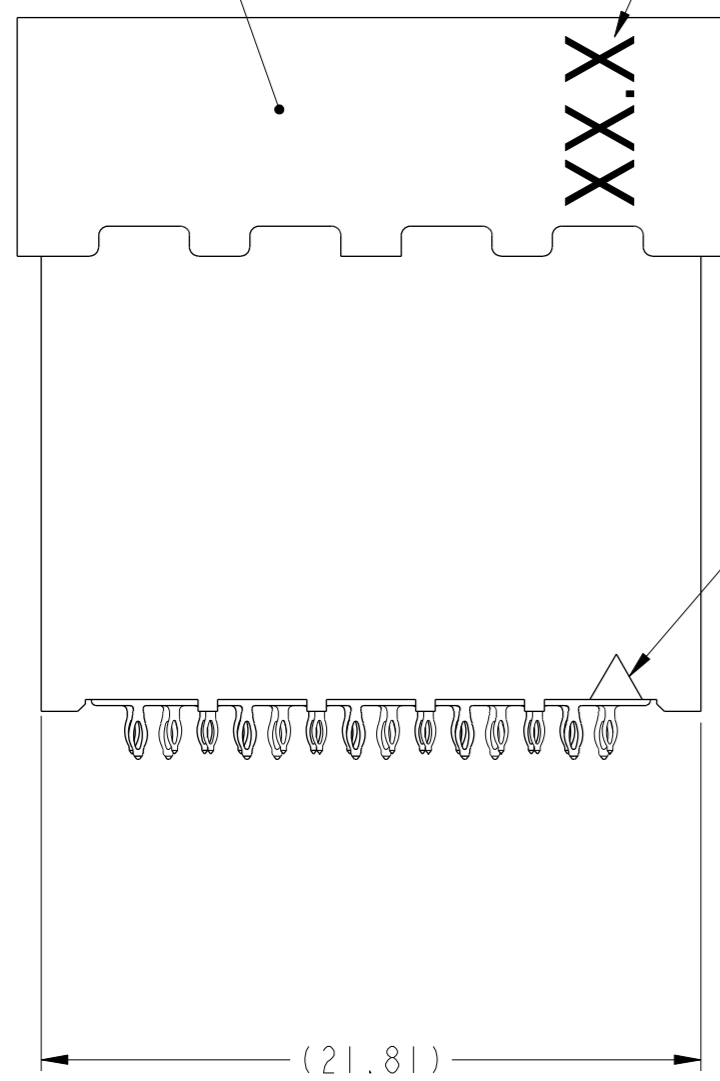


SEE NOTE 5
SEE NOTE 11



spec ref	SEE NOTES	dr	WILL LIU	2014-09-16	projection	mm	size	A2	scale	4:1											
tolerance std	TOLERANCES UNLESS OTHERWISE SPECIFIED	eng	WILL LIU	2014-09-16		mm	ecn no	rel level	In Work	rev											
ASME Y14.5M		chr	HEAVEN CEN	2014-09-16																	
surface	<table border="1"> <tr> <td>linear</td> <td>0.X</td> <td>±0.3</td> </tr> <tr> <td></td> <td>0.XX</td> <td>±0.10</td> </tr> <tr> <td></td> <td>0.XXX</td> <td>±0.05</td> </tr> <tr> <td>angular</td> <td>0°</td> <td>±2°</td> </tr> </table>	linear	0.X	±0.3		0.XX	±0.10		0.XXX	±0.05	angular	0°	±2°	appr	COLLINS LU	2014-09-16	product family	ExaMEZZ	cat. no.	10128487	sheet 1 of 4
linear	0.X	±0.3																			
	0.XX	±0.10																			
	0.XXX	±0.05																			
angular	0°	±2°																			
		FCI		ExaMEZZ CONNECTOR ASSEMBLY HERMAPHRODITIC, 4 PAIR, 11 IMLA		Product - Customer Draw		sheet 1 of 4													

1 2 3 4 5 6 7 8

A

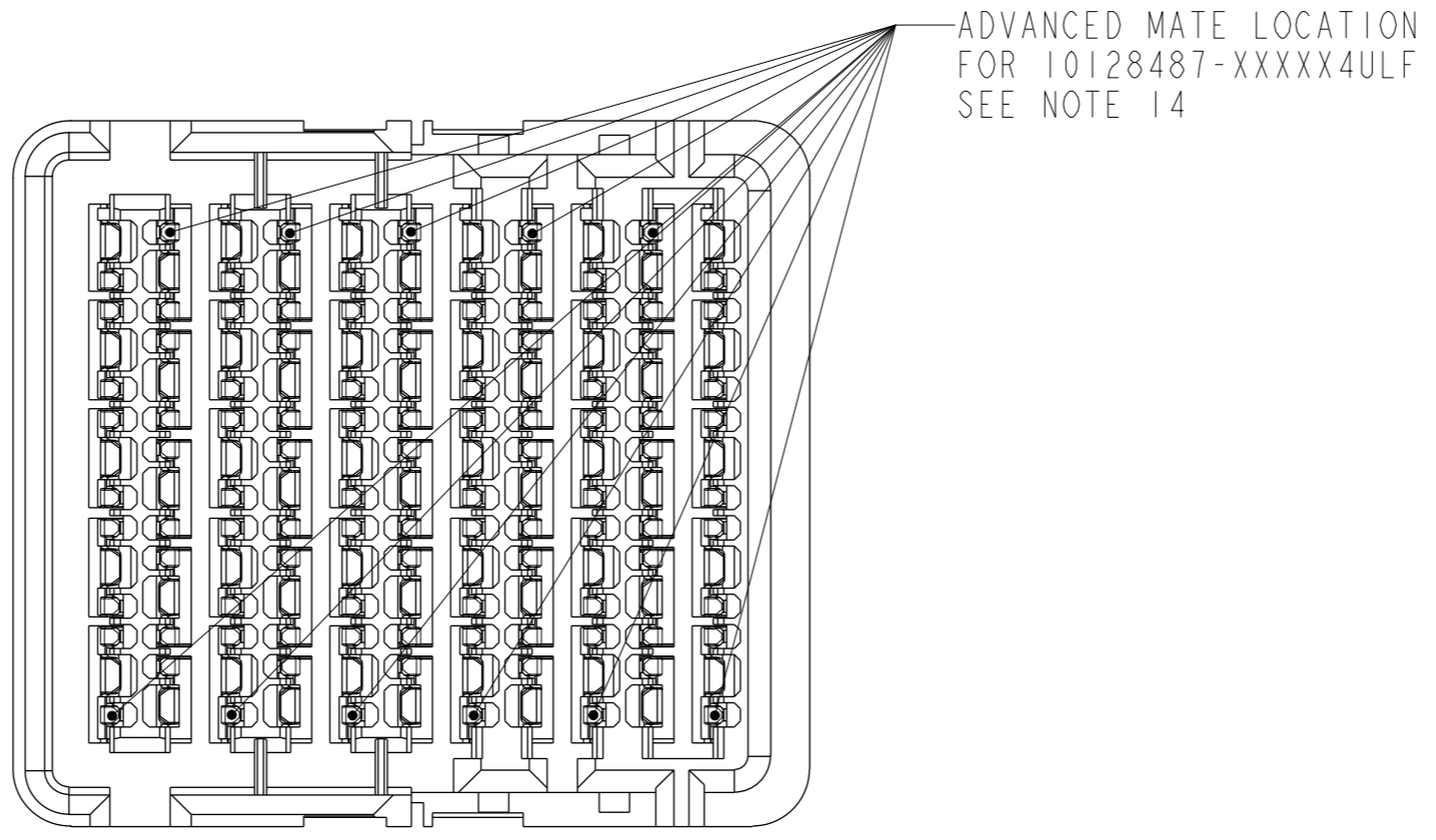
B

C

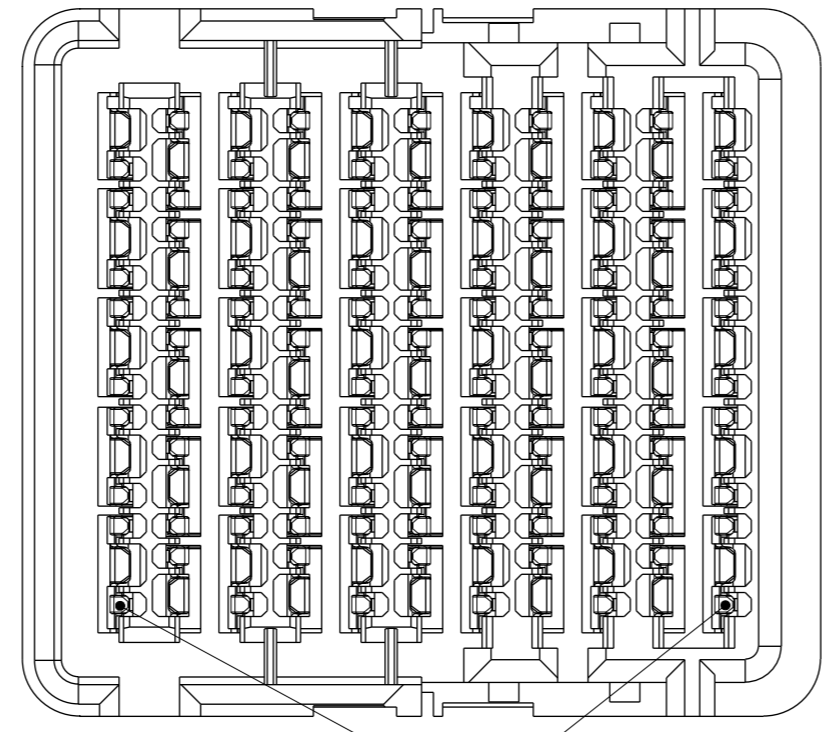
D

E

F



ADVANCED MATE LAYOUT FOR 10128487-XXXXX4ULF



STANDARD SHORT DETECT LAYOUT FOR 10128487-XXXXX1ULF

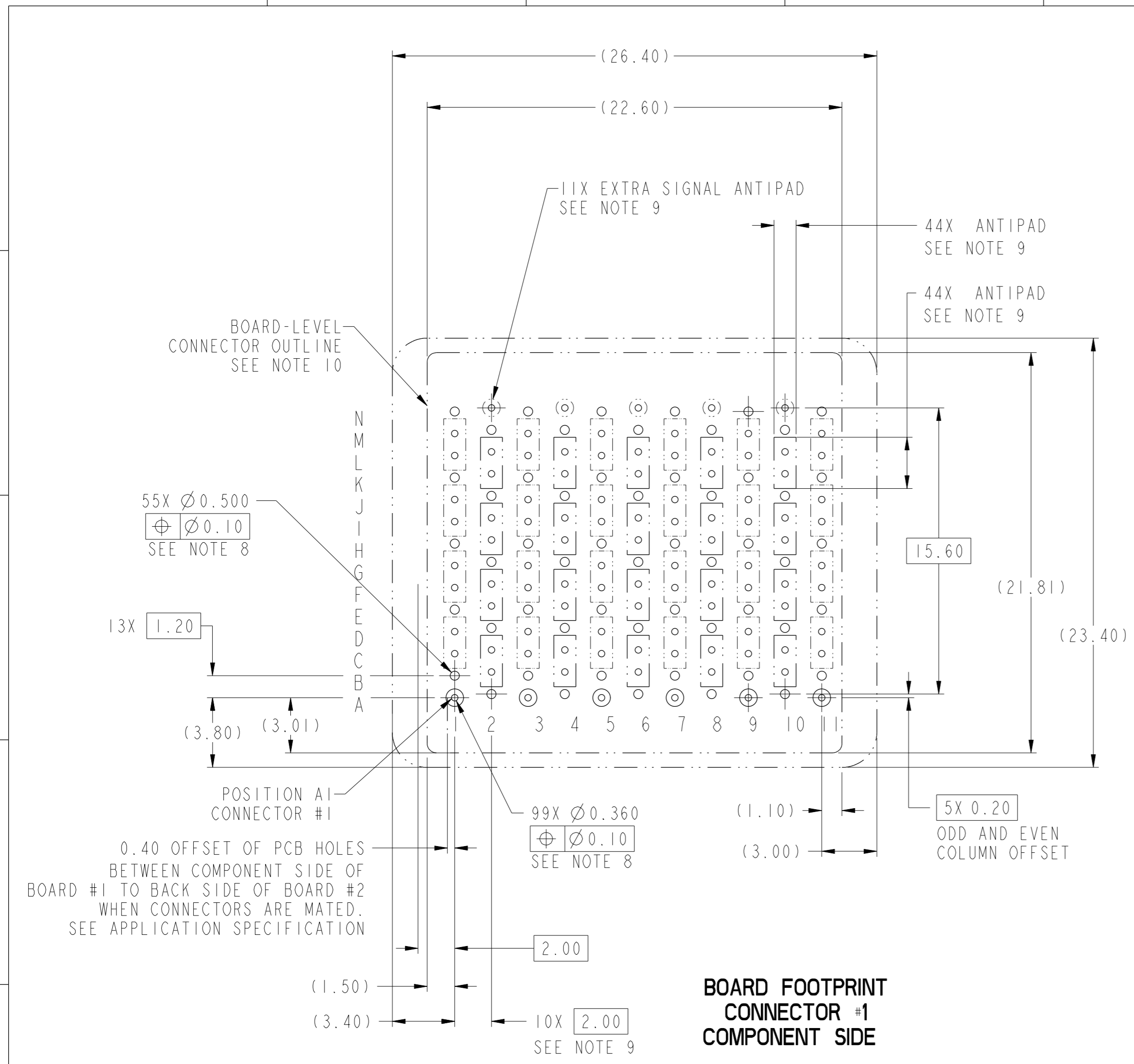
STANDARD SHORT DETECT LOCATION FOR 10128487-XXXXX1ULF SEE NOTE 13



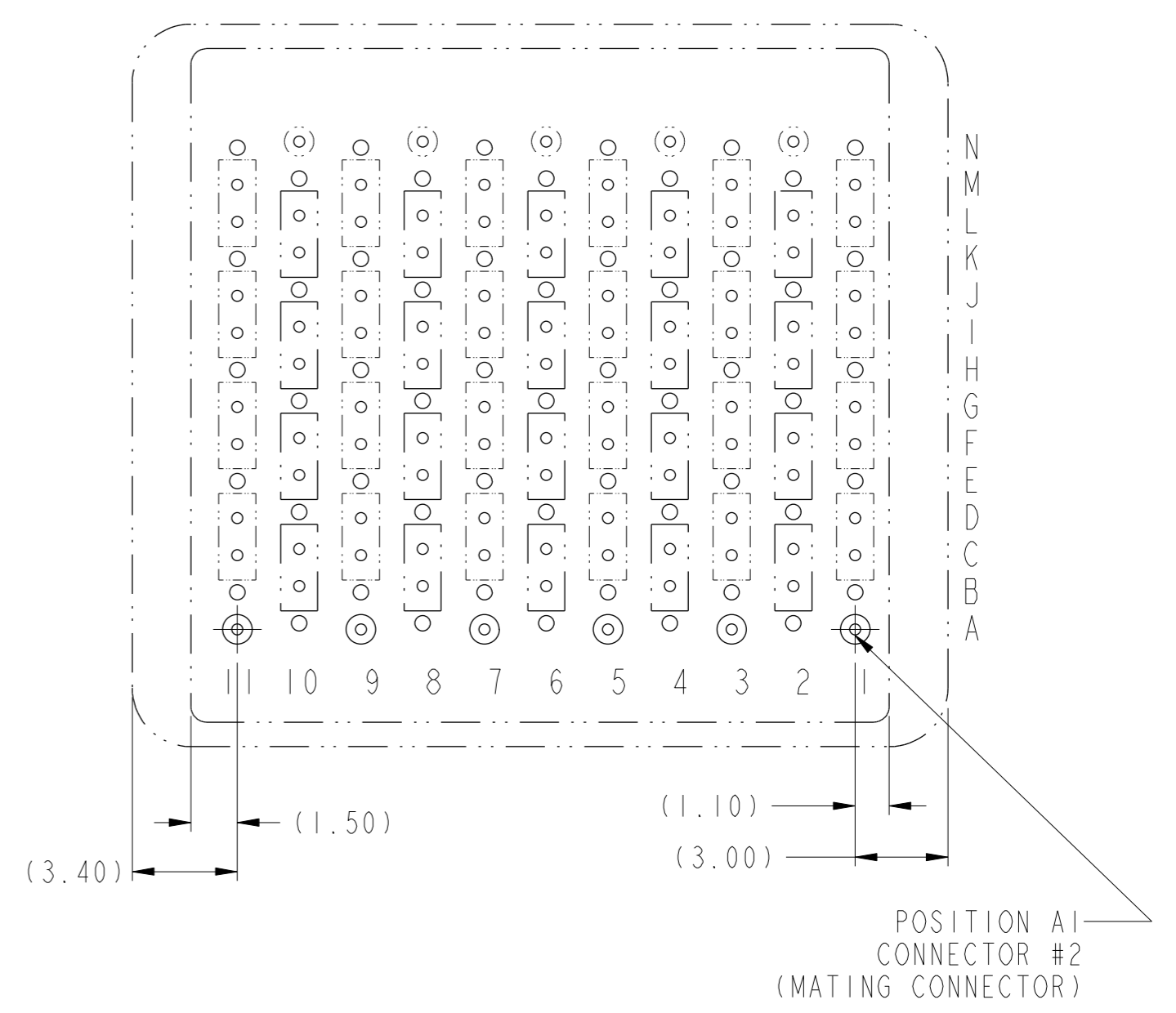
Copyright FCI.

spec ref	SEE NOTES	dr	WILL LIU	2014-09-16	projection	mm	size	A2	scale	4:1									
tolerance std	TOLERANCES UNLESS OTHERWISE SPECIFIED	eng	WILL LIU	2014-09-16			ecn no	rel level	In Work	rev									
ISO 406		chr	HEAVEN CEN	2014-09-16															
ISO 1101		appr	COLLINS LU	2014-09-16	product family	ExaMEZZ													
surface	<table border="1"> <tr> <td>linear</td> <td>0.X</td> <td>±0.3</td> </tr> <tr> <td></td> <td>0.XX</td> <td>±0.10</td> </tr> <tr> <td></td> <td>0.XXX</td> <td>±0.05</td> </tr> <tr> <td>angular</td> <td>0°</td> <td>±2°</td> </tr> </table>	linear	0.X	±0.3		0.XX	±0.10		0.XXX	±0.05	angular	0°	±2°		TITLE ExaMEZZ CONNECTOR ASSEMBLY HERMAPHRODITIC, 4 PAIR, 11 IMLA		cat. no. -	Product - Customer Drw	sheet 2 of 4
linear	0.X	±0.3																	
	0.XX	±0.10																	
	0.XXX	±0.05																	
angular	0°	±2°																	

1 2 3 4 5 6 7 8



**BOARD FOOTPRINT
CONNECTOR #1
COMPONENT SIDE**



**BOARD FOOTPRINT
CONNECTOR #2 (MATING CONNECTOR)
(SAME FOOTPRINT DIFFERENT A1 LOCATION)
COMPONENT SIDE**

**10128487-119500ULF
RECOMMENDED PCB LAYOUT
SCALE 5:1**

Copyright FCI.
FCI

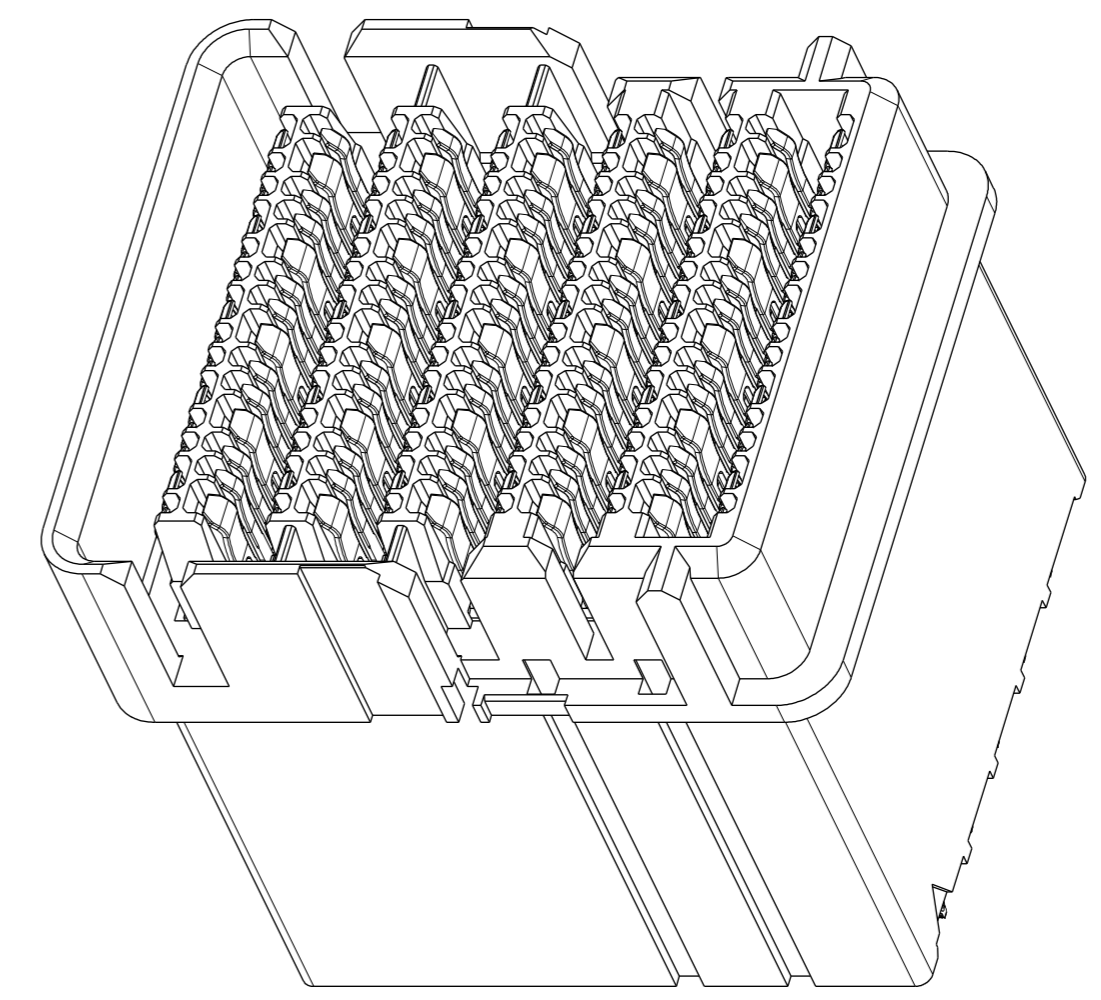
spec ref	SEE NOTES	dr	WILL LIU	2014-09-16	projection	mm	size	A2	scale	4:1											
tolerance std	TOLERANCES UNLESS OTHERWISE SPECIFIED	eng	WILL LIU	2014-09-16		mm	ecn no	rel level	In Work	rev											
ASME Y14.5M		chr	HEAVEN CEN	2014-09-16																	
surface	<table border="1"> <tr> <td>linear</td> <td>0.X</td> <td>±0.3</td> </tr> <tr> <td></td> <td>0.XX</td> <td>±0.10</td> </tr> <tr> <td></td> <td>0.XXX</td> <td>±0.05</td> </tr> <tr> <td>angular</td> <td>0°</td> <td>±2°</td> </tr> </table>	linear	0.X	±0.3		0.XX	±0.10		0.XXX	±0.05	angular	0°	±2°	appr	COLLINS LU	2014-09-16	product family	ExaMEZZ	diag no	10128487	4
linear	0.X	±0.3																			
	0.XX	±0.10																			
	0.XXX	±0.05																			
angular	0°	±2°																			
				ExaMEZZ CONNECTOR ASSEMBLY HERMAPHRODITIC, 4 PAIR, 11 IMLA		Product - Customer Draw		sheet 3 of 4													

PRODUCT NUMBER	STACK HEIGHT EACH SIDE	DIM "Z"	ADVANCED MATE	SHORT DETECTS
10128487-119500ULF	19.5 mm	22.95	NO	NO
10128487-119501ULF	19.5 mm	22.95	NO	YES
10128487-119504ULF	19.5 mm	22.95	YES-ALL COLUMNS	NO
10128487-107500ULF	7.5 mm	10.95	NO	NO

- 1 - CONNECTOR MATERIALS:
HOUSING: HIGH TEMP THERMOPLASTIC, NATURAL, UL94-V0
IMLA PLASTIC: HIGH TEMP THERMOPLASTIC, BLACK, UL94-V0
CONTACT: COPPER ALLOY
- 2 - CONTACT PLATING:
SEPARABLE INTERFACE:
PERFORMANCE-BASED PLATING, QUALIFIED TO MEET THE REQUIREMENTS OF FCI PRODUCT SPECIFICATION GS-12-1150 INCLUDING TELCORDIA GR-1217-CORE (NOVEMBER 1995) CENTRAL OFFICE TEST SEQUENCE.

PRESS-FIT TAILS: TIN OVER NICKEL
- 3 - PRODUCT SPECIFICATION: GS-12-1150
- 4 - APPLICATION SPECIFICATION: GS-20-0373
- 5 - PRODUCT MARKING (PART NUMBER & LOT CODE) ON THIS SURFACE.
- 6 - LEAD FREE PRODUCT MEETS THE EUROPEAN UNION DIRECTIVES & OTHER COUNTRY REGULATIONS AS DESCRIBED IN GS-47-0004.
- 7 - PACKAGING MEETS GS-14-920 LEAD FREE LABELING SPECIFICATION.
- 8 - REFER TO CUSTOMER DRAWING 10119933 FOR INFORMATION ON PCB HOLE DIAMETERS AND PLATING OPTIONS
- 9 - PLEASE REFER TO THE APPLICATION SPECIFICATION FOR TRACE ROUTING EXAMPLES THAT INCLUDE DIMENSIONS FOR ANTIPADS, TRACE WIDTHS, TRACE SPACINGS, ETC.
- 10 - CONNECTOR OUTLINE MAY BE SCREEN PRINTED ONTO CUSTOMER PCB TO BE USED AS A GUIDE FOR MANUAL CONNECTOR PLACEMENT.
- 11 - PRODUCT STACK HEIGHT (EG. 19.5) LASER MARKED ON THIS SURFACE.
- 12. THE HOUSING WILL WITHSTAND EXPOSURE TO 260 °C FOR 10-30 SECONDS IN A CONVECTION, INFRA-RED, OR VAPOR PHASE REFLOW OVEN.
- 13 - THE SHORT DETECT CONNECTOR (WHEN MATED WITH A NON-SHORT DETECT CONNECTOR) WILL PROVIDE CONTACTS THAT MATE 1.00mm AFTER THE REMAINDER OF STANDARD LENGTH SIGNAL AND GROUND CONTACTS MATE. NEVER MATE A SHORT DETECT CONNECTOR WITH ANOTHER SHORT DETECT CONNECTOR.
- 14 - THE ADVANCED MATE CONNECTOR WHEN MATED WITH AN ADVANCED MATE CONNECTOR, WILL PROVIDE CONTACTS THAT MATE 0.75MM BEFORE THE REMAINDER OF THE SIGNAL AND GROUND CONTACTS MATE

10128487 -XXXXXXXXLF
 PLATING -1 = STANDARD PLATING
 LEAD FREE
 U
 EFFECTIVE CONNECTOR HEIGHT PER MATING HALF 19.50 = 1950
 ADV MATE / SHORT DETECT LAYOUT
 0 = NO SHORT DETECT AND NO ADVANCED MATE
 1 = SHORT DETECT (STANDARD LOCATION BOTTOM LEFT AND RIGHT SIDE)
 4 = ADVANCED MATE SINGLE END ALL COLUMNS



spec ref	SEE NOTES	dr	WILL LIU	2014-09-16	projection	mm	size	A2	scale	4:1											
tolerance std	TOLERANCES UNLESS OTHERWISE SPECIFIED	eng	WILL LIU	2014-09-16			ecn no	rel level	In Work	rev											
ASME Y14.5M		chr	HEAVEN CEN	2014-09-16																	
surface	<table border="1"> <tr> <td>linear</td> <td>0.X</td> <td>±0.3</td> </tr> <tr> <td></td> <td>0.XX</td> <td>±0.10</td> </tr> <tr> <td></td> <td>0.XXX</td> <td>±0.05</td> </tr> <tr> <td>angular</td> <td>0°</td> <td>±2°</td> </tr> </table>	linear	0.X	±0.3		0.XX	±0.10		0.XXX	±0.05	angular	0°	±2°	appr	COLLINS LU	2014-09-16	product family	ExaMEZZ	diag no	10128487	4
linear	0.X	±0.3																			
	0.XX	±0.10																			
	0.XXX	±0.05																			
angular	0°	±2°																			
				ExaMEZZ CONNECTOR ASSEMBLY HERMAPHRODITIC, 4 PAIR, 11 IMLA		www.fci.com		cat. no. - Product - Customer Drw		sheet 4 of 4											



Copyright FCI.