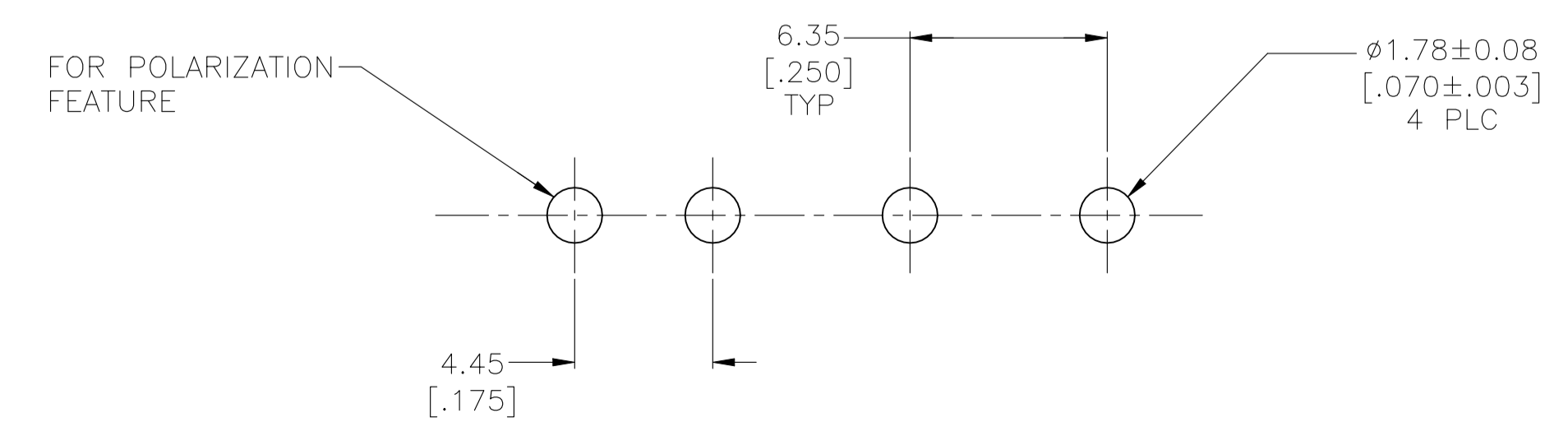
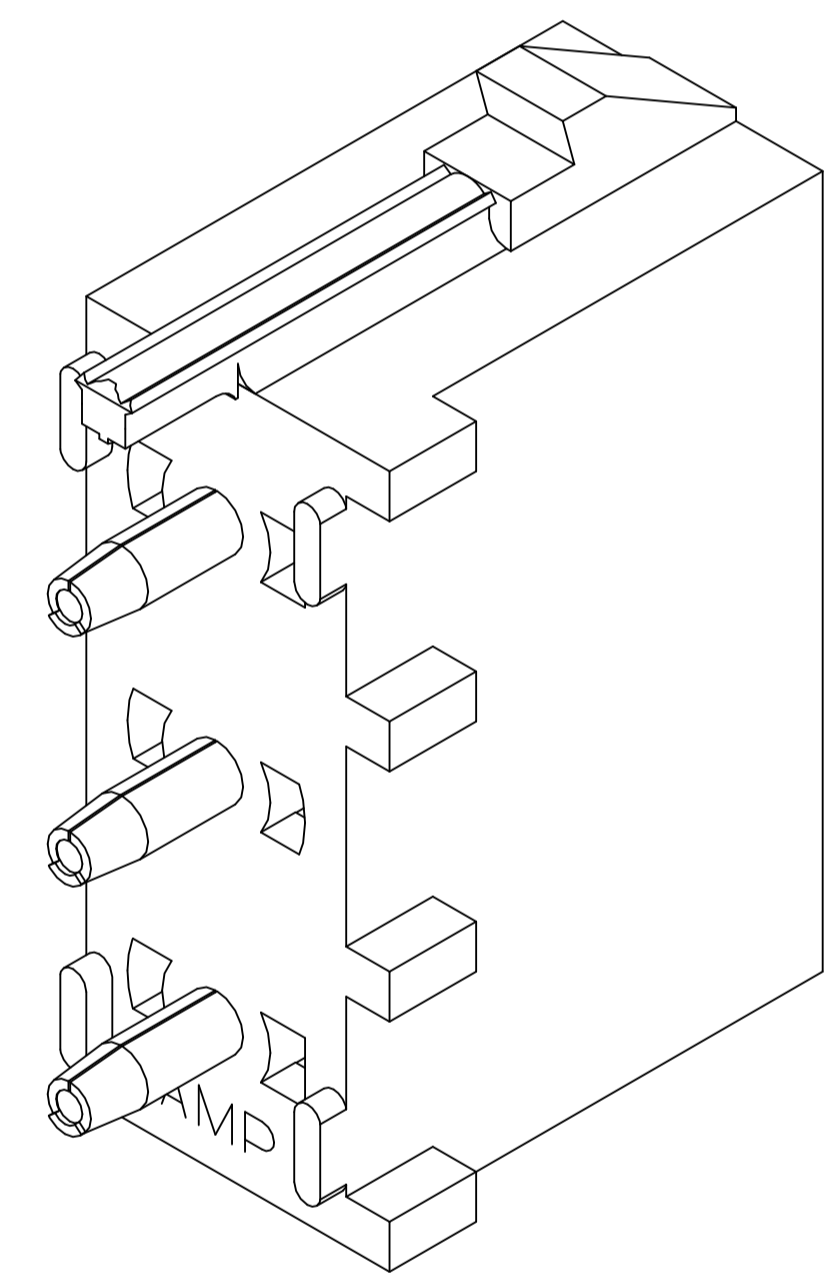
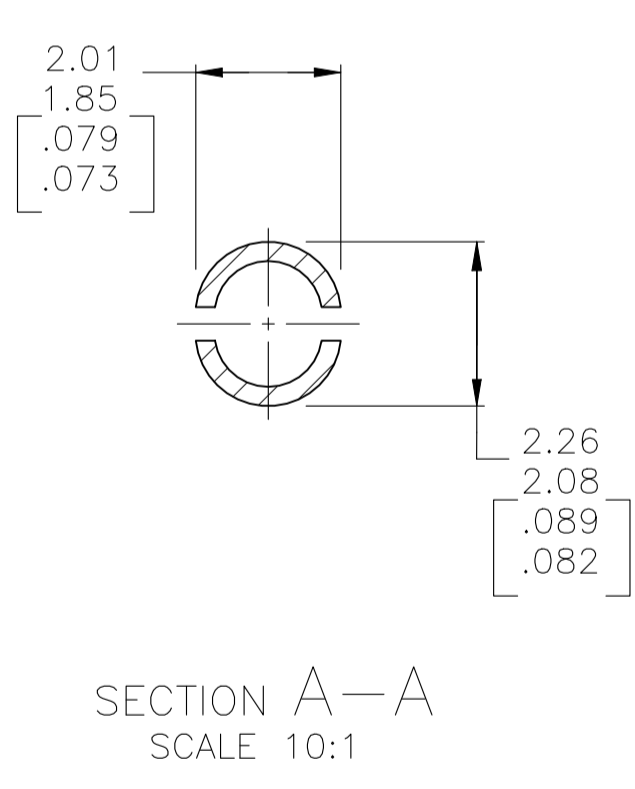
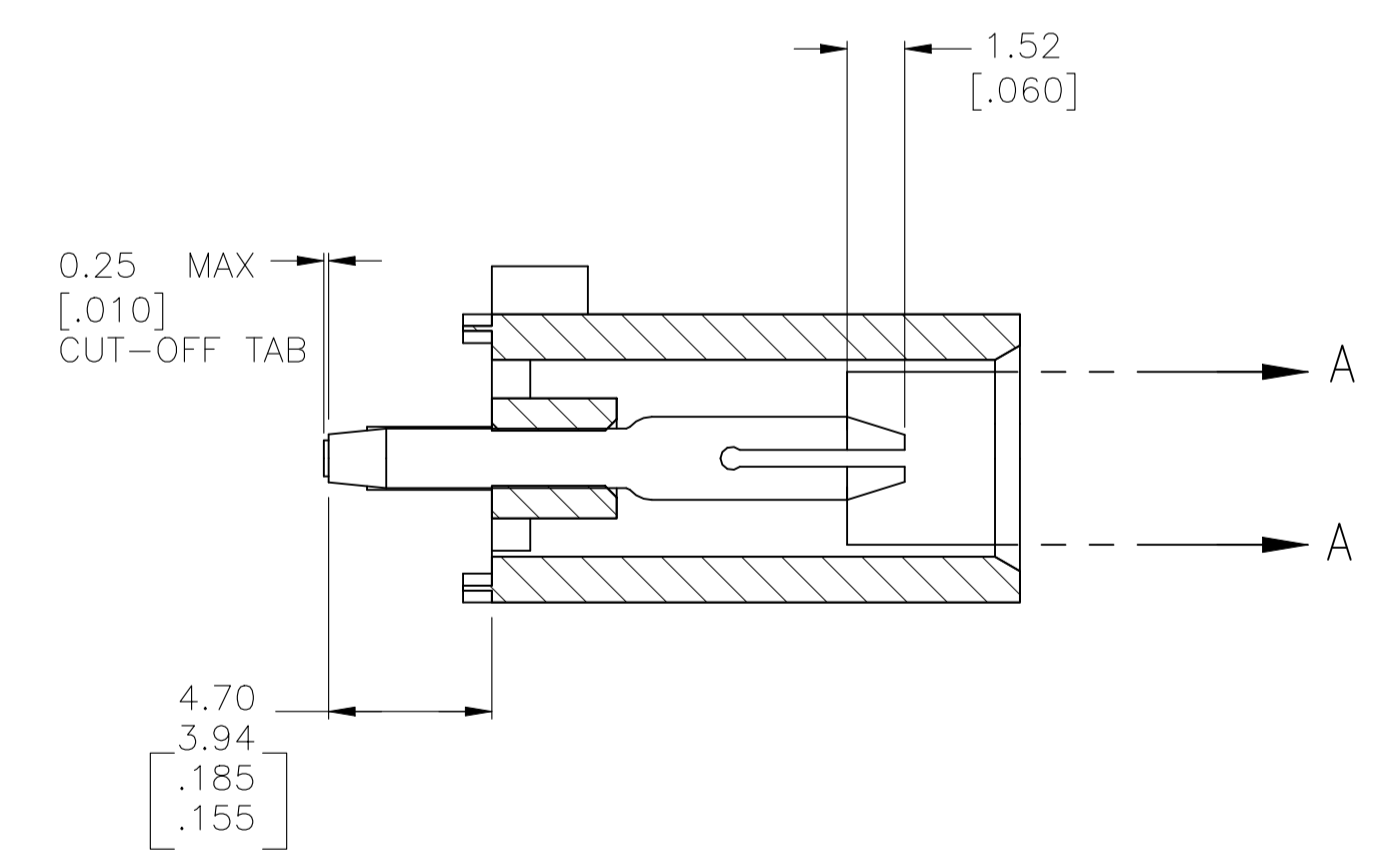
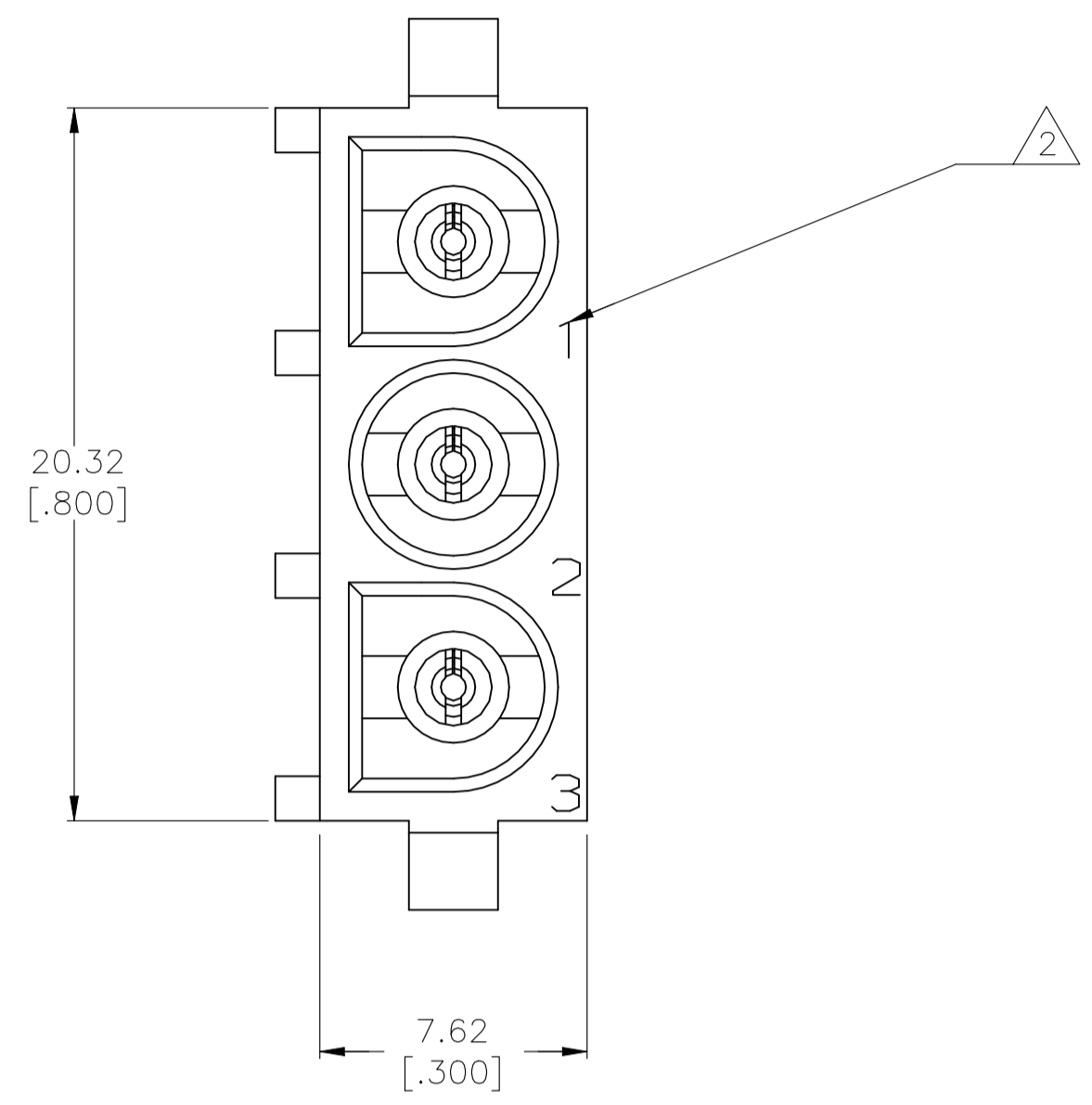
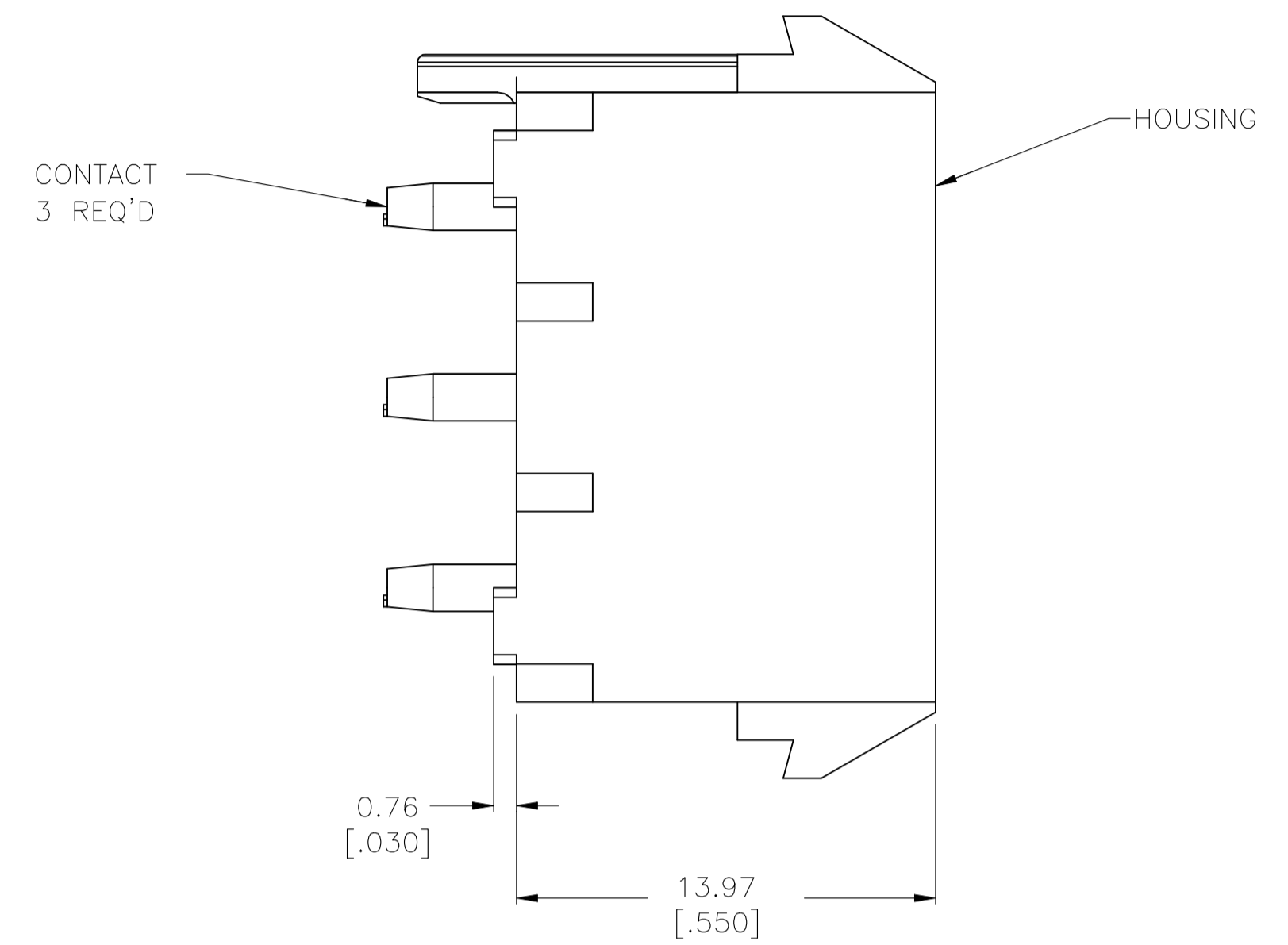
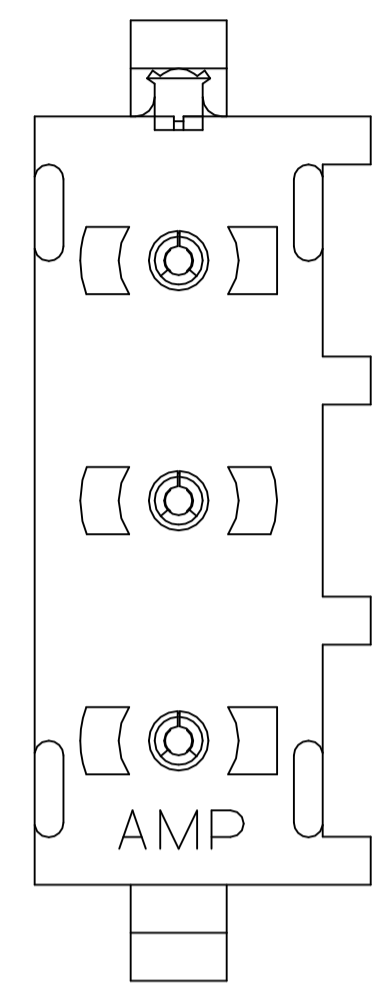


REVISIONS					
REV	DATE	DESCRIPTION	BY	CHK	APP'D
P2	21JUL2022	REVISED PER ECR-21-118222	JP	VS	

- 1 PARTS COMPLY TO AMP SOLDERABILITY SPECIFICATION 109-11-3.
- 2 CIRCUIT IDENTIFICATION CHARACTERS ARE ADJACENT TO THE INDICATED CAVITIES, BUT LOCATION AND ORIENTATION MAY DIFFER FROM PRINT.
- 3 DIMENSIONS IN BRACKETS ARE IN INCHES.
- 4 DIMENSIONS SHOWN REPRESENT PRODUCT IN DRY CONDITION. ADDITIONAL 2% GROWTH DUE TO END USE LOCATION MOISTURE ABSORPTION MAY OCCUR AND SHOULD BE ACCOUNTED FOR.



PHOSPHOR BRONZE, GOLD	NYLON, UL94V-0, WHITE	641966-3
PHOSPHOR BRONZE, PRE-TIN	NYLON, UL94V-0, BLACK	1-641966-1
PHOSPHOR BRONZE, PRE-TIN	NYLON, UL94V-0, WHITE	641966-1
PIN CONTACT MATERIAL AND FINISH	HOUSING MATERIAL	PART NUMBER

THIS DRAWING IS A CONTROLLED DOCUMENT.

DIMENSIONS: mm [NCHES]	TOLERANCES UNLESS OTHERWISE SPECIFIED:	DIN L. McEACHIN 07-JAN-2000	TE Connectivity
0 PLC ± -	1 PLC ± -	CHK K. COBLE 07-JUN-2000	
2 PLC ± 0.13 [.005]	3 PLC ± -	APP'D K. COBLE 07-JUN-2000	NAME
4 PLC ± -	ANGLES ± 0° 30'	PRODUCT SPEC	PIN HEADER ASSEMBLY, POLARIZED, 3 CIRCUIT UNIVERSAL MATE-N-LOK
MATERIAL SEE TABLE	FINISH SEE TABLE	APPLICATION SPEC	SIZE CAGE CODE DRAWING NO
		WEIGHT	A1 00779 C=641966
		CUSTOMER DRAWING	SCALE 5:1 SHEET 1 OF 1 REV P2