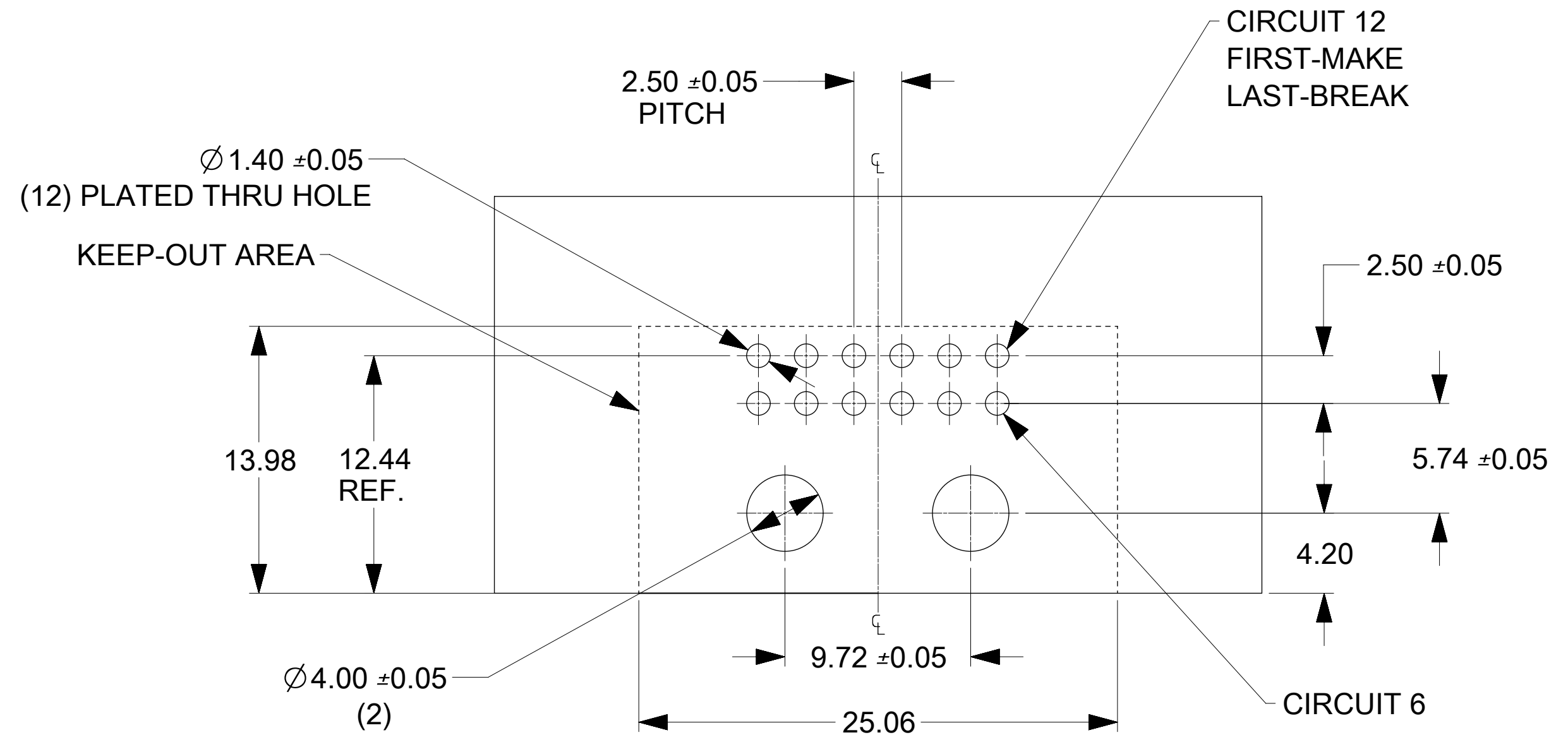
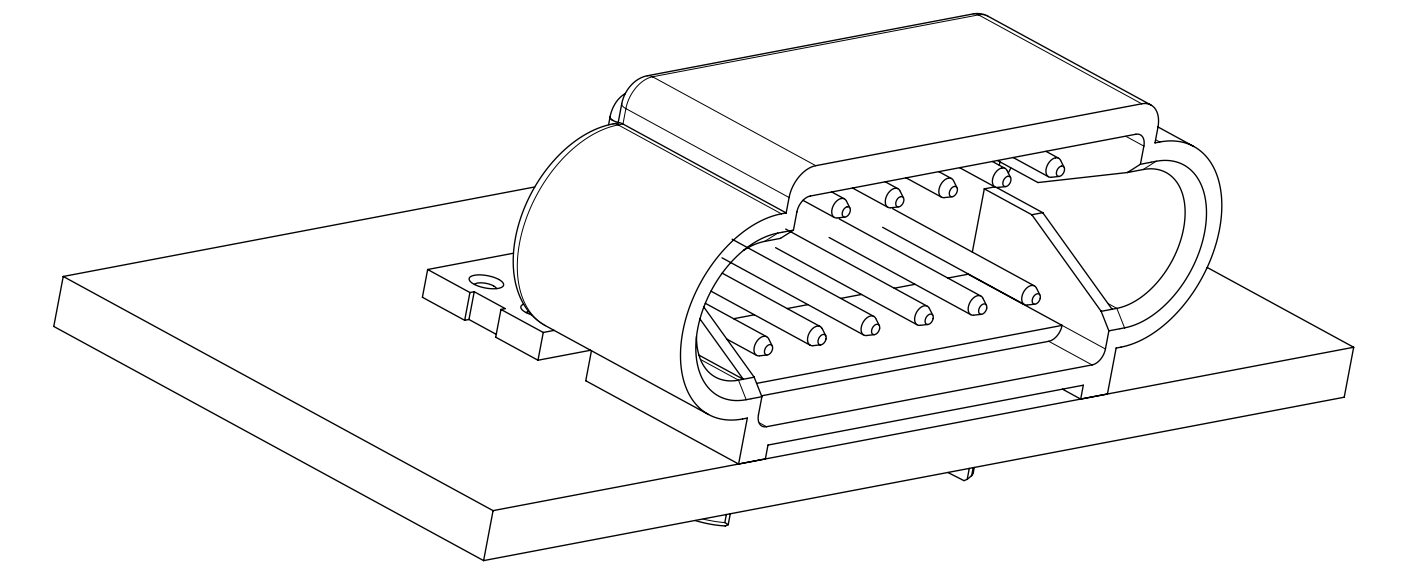
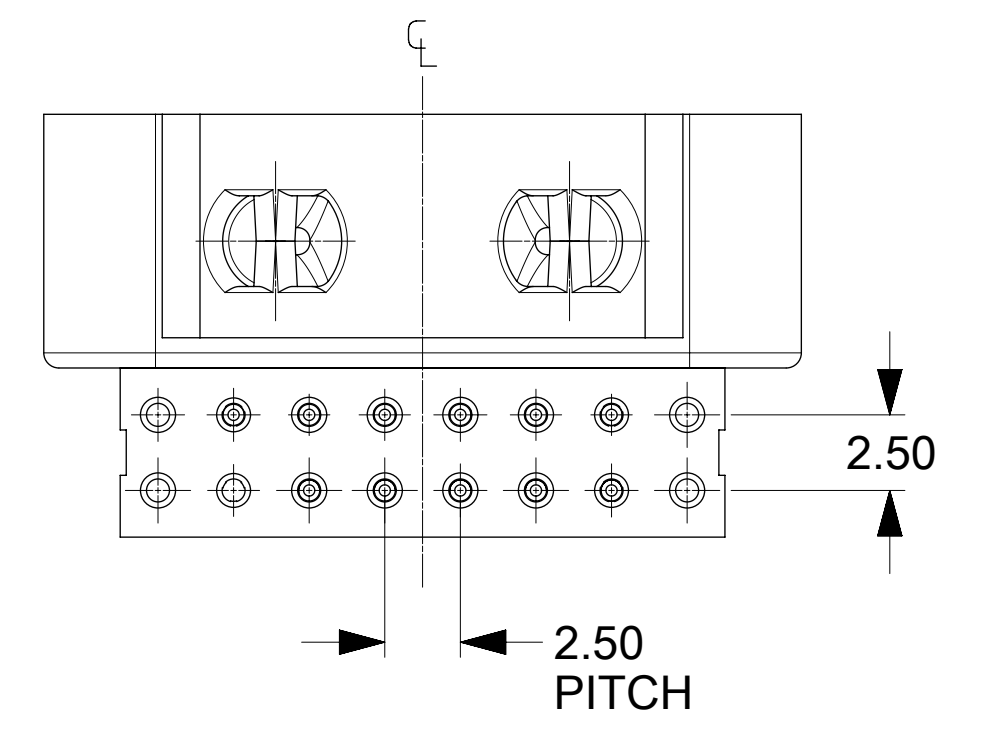
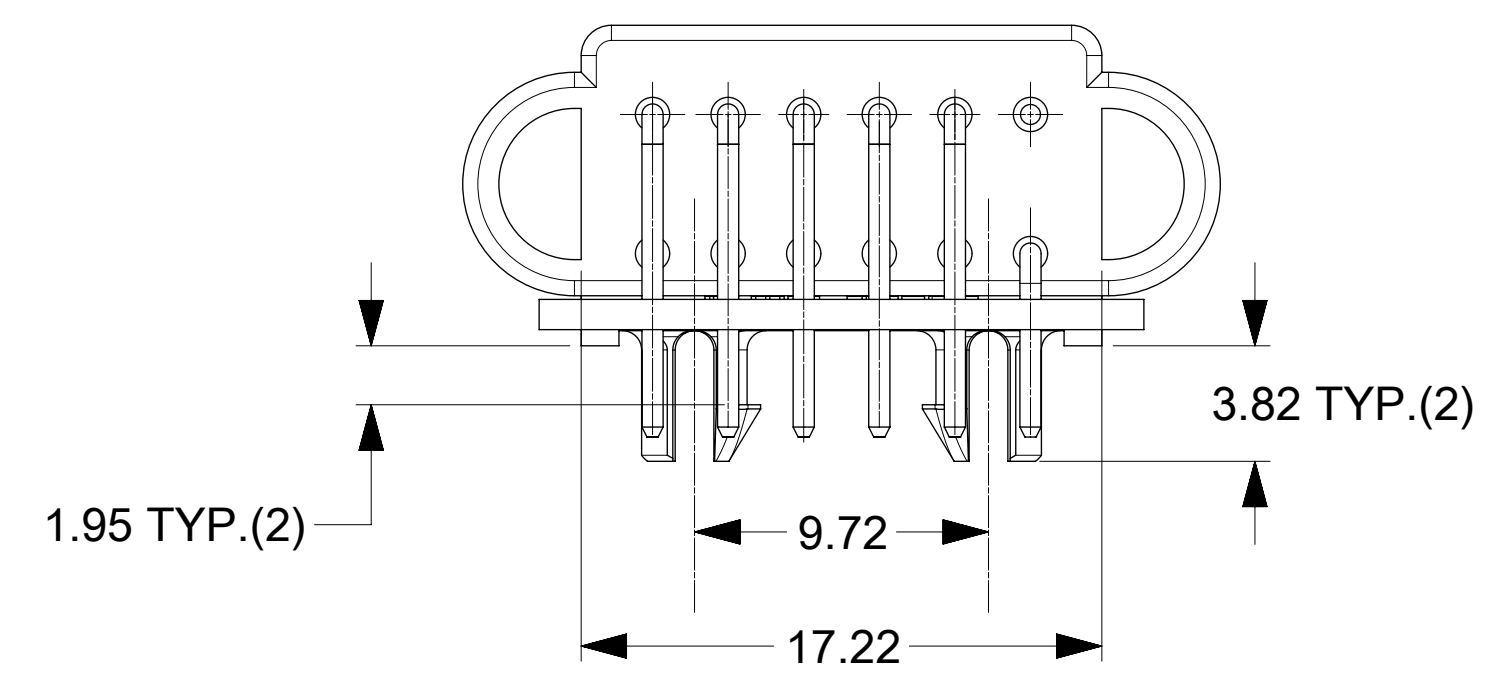
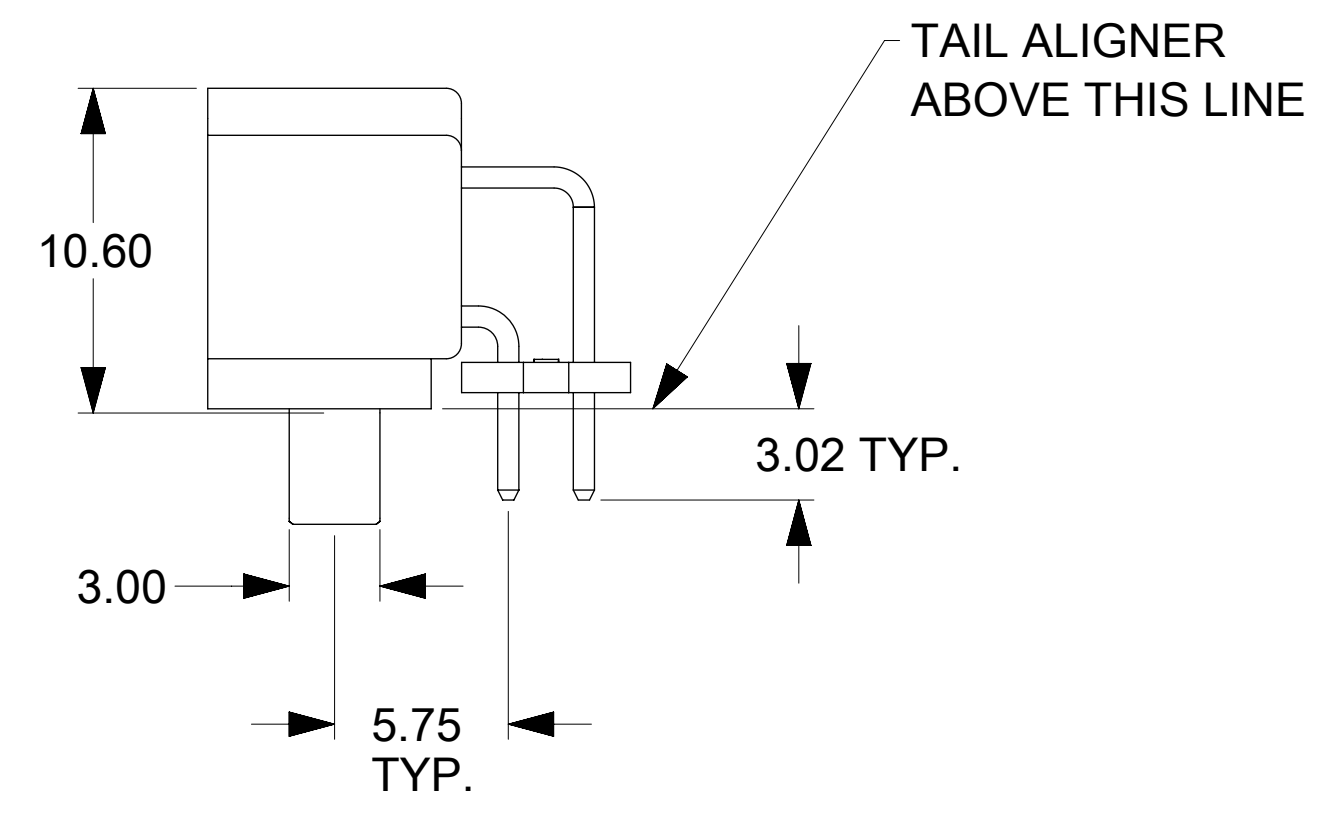
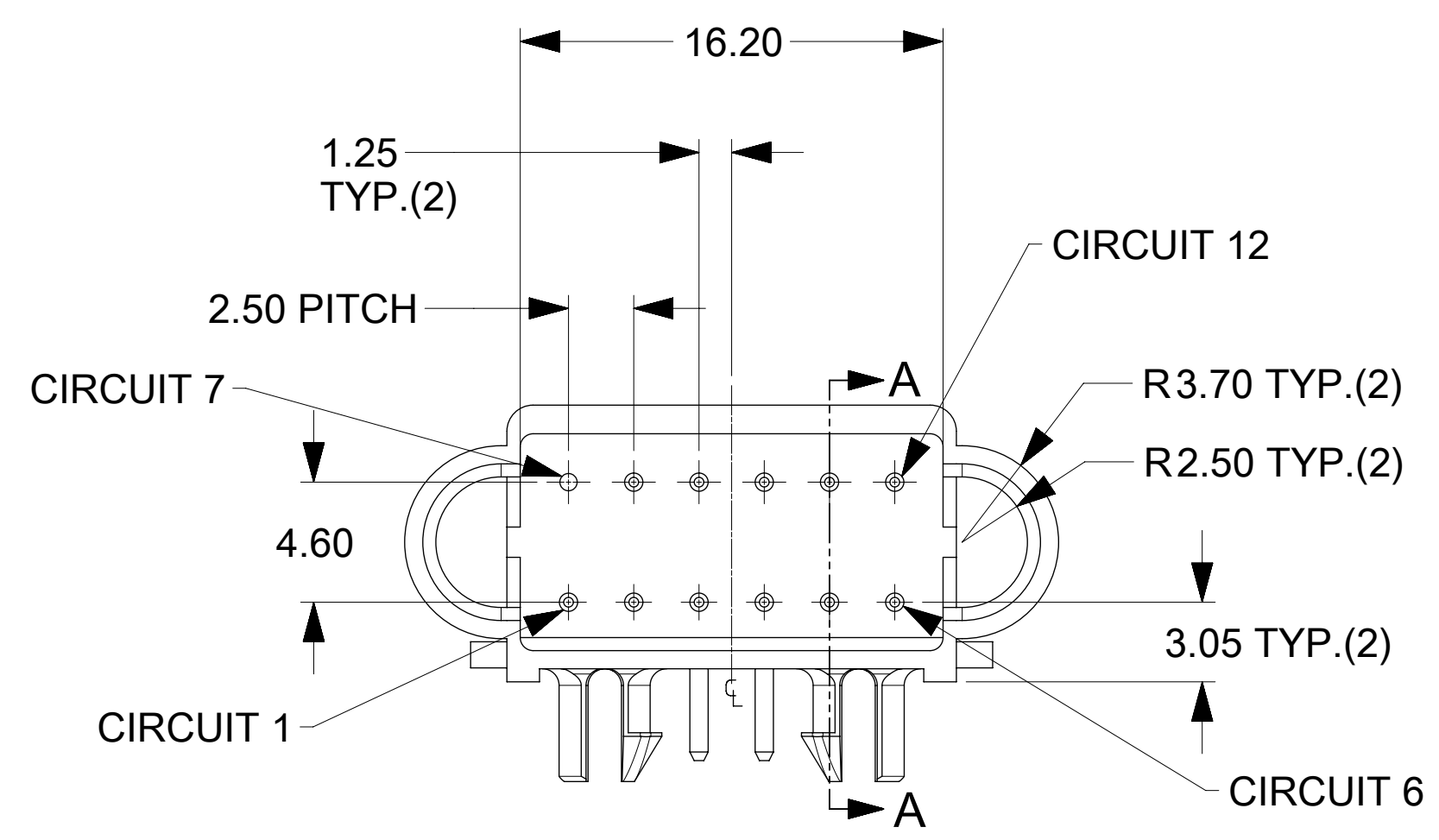


SECTION A-A



PC BOARD LAYOUT
COMPONENT SIDE
PCB THICKNESS 1.67mm



- NOTES:
- HOUSING MATERIAL: HIGH-TEMP THERMOPLASTIC, 94V-0. (COLOR: BLACK)
TAIL ALIGNER: HIGH-TEMP THERMOPLASTIC (COLOR: OPTIONAL)
 - PIN MATERIAL: 0.70mm DIA. BRASS
 - PIN PLATING: 2.50μm TIN OVER 1.25μm NICKEL.
 - PRODUCT SPECIFICATION: PS-45579-012.
 - PACKAGING: TRAY.

THIS DRAWING CONTAINS INFORMATION THAT IS PROPRIETARY TO MOLEX ELECTRONIC TECHNOLOGIES, LLC AND SHOULD NOT BE USED WITHOUT WRITTEN PERMISSION									
DIMENSION UNITS		SCALE		CURRENT REV DESC:					
MM		4:1							
GENERAL TOLERANCES (UNLESS SPECIFIED)				EC NO: 625546					
				4 PLACES ±		±		DRWN: CMN 2017/08/11	
				3 PLACES ±		±		CHK'D: ISHWARG 2019/10/18	
				2 PLACES ±		0.13 ±		APPR: ISHWARG 2019/10/18	
				1 PLACE ±		0.25 ±		INITIAL REVISION:	
				0 PLACES ±		±		DRWN: DROSCA 2006/09/06	
				ANGULAR TOL ±		0.5 °		APPR: JCOMERCI 2006/09/06	
DRAFT WHERE APPLICABLE MUST REMAIN WITHIN DIMENSIONS				THIRD ANGLE PROJECTION		DRAWING		SERIES	
				D-SIZE		45608		MATERIAL NUMBER	
								CUSTOMER	
								SHEET NUMBER	
DOCUMENT STATUS		P1		RELEASE DATE		2019/10/18 08:25:51		SD-45608-012	
								PSD 001 B	
								IBM	
								1 OF 1	