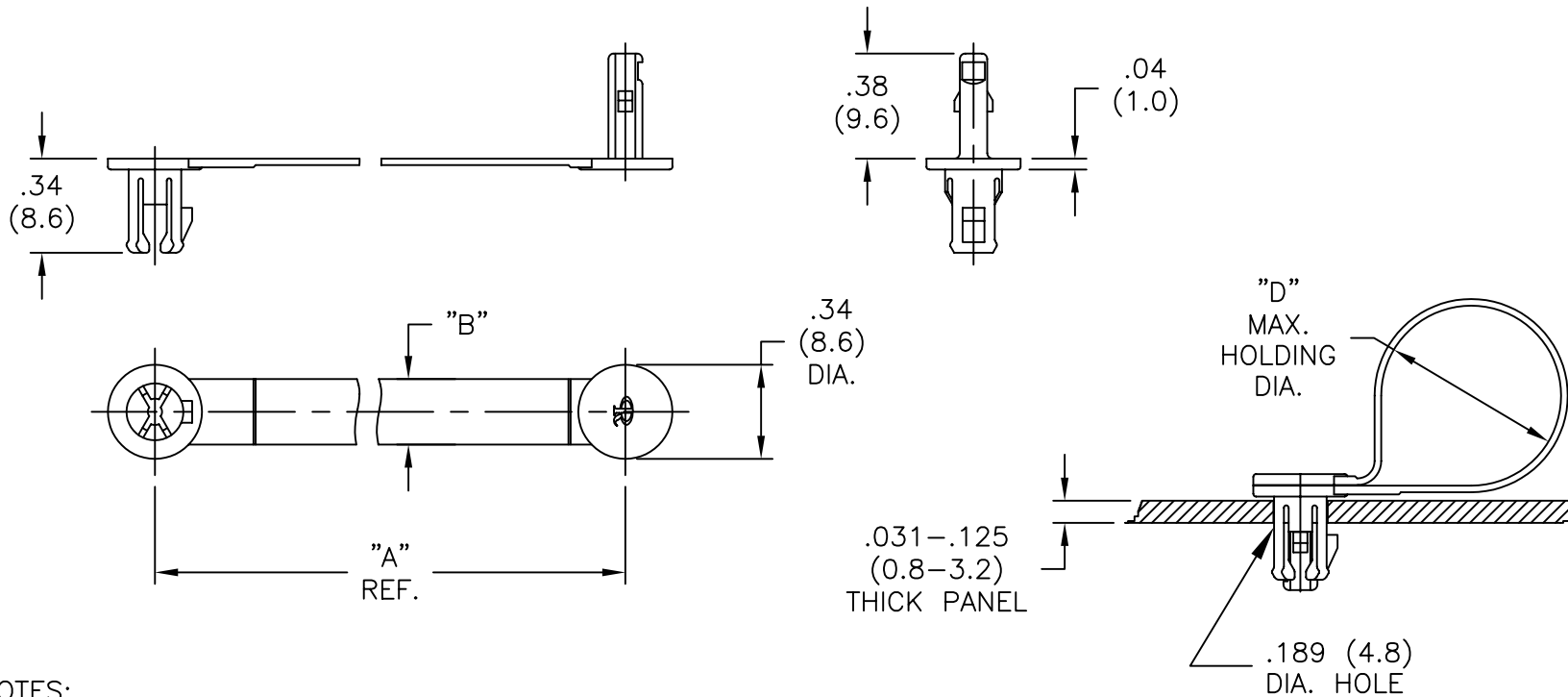


PART NO.	DIM "A" REF.	DIM "B"	"D" MAX. HOLDING DIA.
RSC-3-01	1.10 (28.0)	.16 (4.0)	7/32 (5.6)
RSC-4-01	1.30 (33.0)	.24 (6.0)	1/4 (6.4)
RSC-6-01	1.69 (43.0)	.24 (6.0)	3/8 (9.5)
RSC-9-01	2.48 (63.0)	.24 (6.0)	5/8 (15.9)



NOTES:

- MAT'L: NYLON 6/6 (RMS-01).
- COLOR: BLACK.

TITLE: RICHCO SPEED CLAMPS				DWG IN IN (MM)	FINAL	QR
TOLERANCES UNLESS NOTED .XX=±.010 .XXX=±.005 FRAC=±1/64 ANG=±1°	FILE # RSC	DWN: J.B.	DT: 07-30-96	PART #		PRINT TYPE
	MAT'L: SEE NOTES	CHKD:	ENGR:	SEE TABLE		CA
	RE: RICHCO, INC.	RICHCO INC. PO BOX 804238, CHICAGO, 60680 (773) 539-4060				

A	CHANGED FILE NO.	SM 10.17.02
REV	DESCRIPTION	ENGR DATE