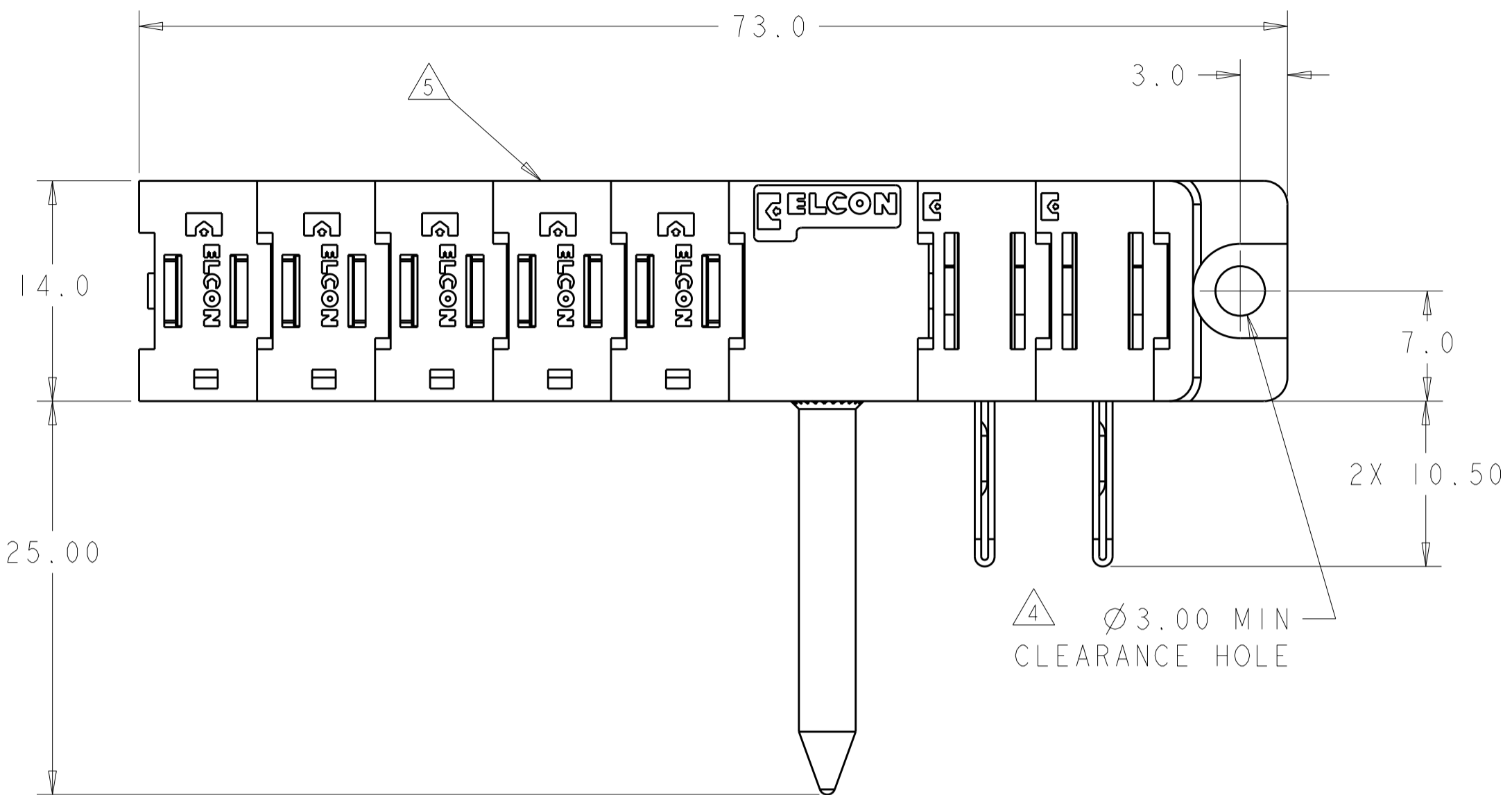


THIS DRAWING IS UNPUBLISHED. RELEASED FOR PUBLICATION 20
© COPYRIGHT 20 BY TYCO ELECTRONICS CORPORATION. ALL RIGHTS RESERVED.

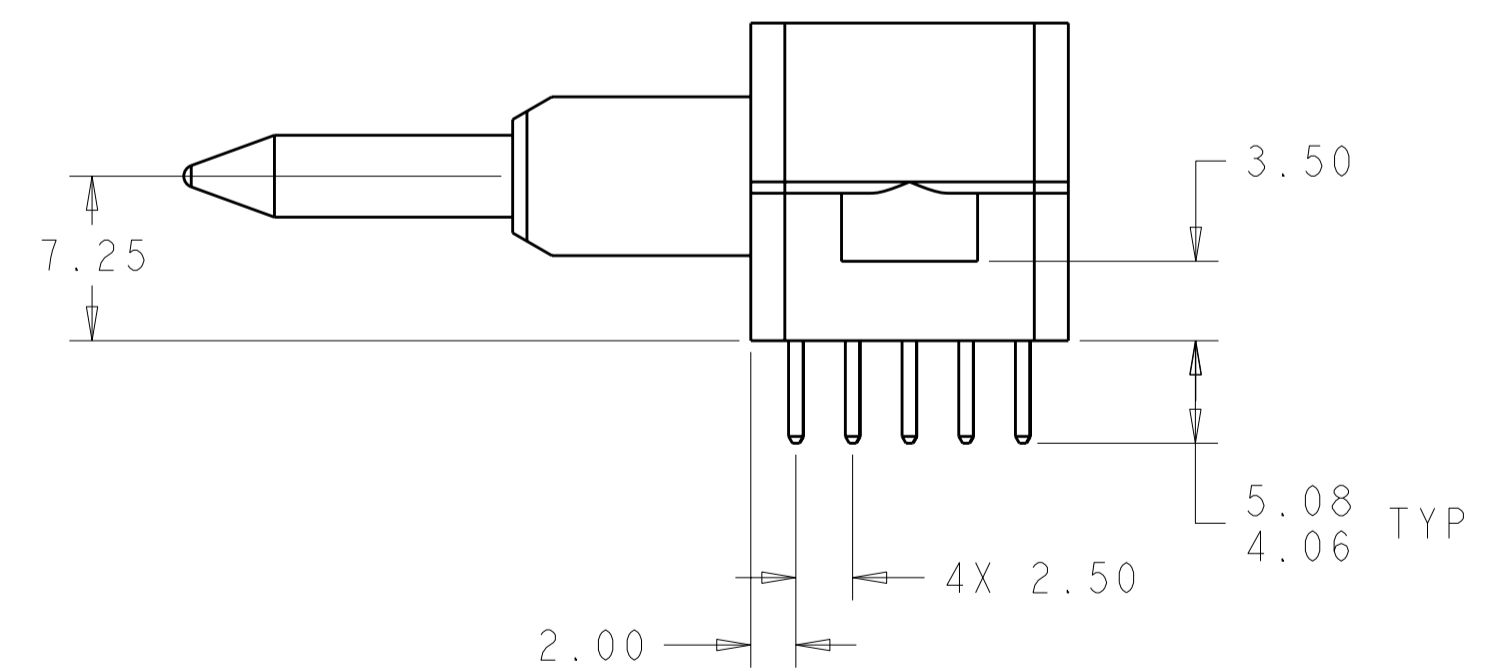
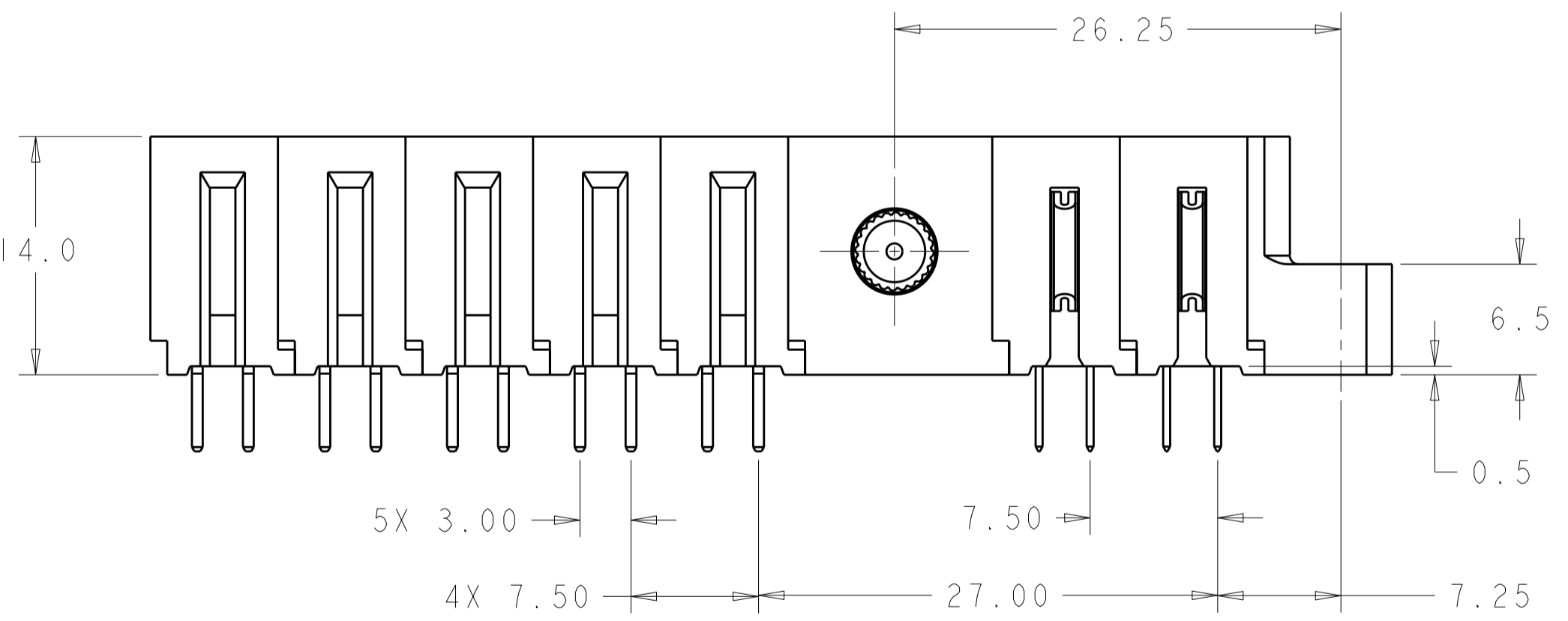
LOC	DIST	REVISIONS			
P	LTR	DESCRIPTION	DATE	DWN	APVD
GP	00	A	RELEASED	16APR2008	RG PD



- PART NUMBER CHANGES AND OR DESIGN CHANGES AFFECTING ITEM INTERCHANGEABILITY REQUIRE PRIOR TYCO ELECTRONICS APPROVAL AND AUTHORIZATION BY REVISION TO THIS DRAWING.
- MATERIAL:
INSULATORS - THERMOPLASTIC, GLASS REINFORCED, COLOR: BLACK, UL94V-0 FLAMMABILITY RATED.
POWER CONTACTS - PHOSPHOR BRONZE ALLOY, COPPER ALLOY
CROWN BAND-BERYLLIUM COPPER ALLOY
GUIDE PIN - BRASS ALLOY
- FINISH:
CONTACTS - GOLD PLATE 0.76µm MIN. THK., OVER NICKEL 1.27µm MIN. THK
SOLDER TAILS, TIN 3.05µm MIN. THK. OVER NICKEL 1.27µm MIN THK.
GUIDE PIN - NICKEL PLATE 1.27µm MIN THK.

- 4 MOUNTING FLANGES ACCEPT M3 OR #4-40 SCREWS, (USER SUPPLIED)
- 5 ITEMS PROVIDED TO THIS SPECIFICATION TO BE PERMANENTLY IDENTIFIED PER THE FOLLOWING IDENTIFIER LABEL

YEAR WEEK
 TYCO ELECTRONICS P/N DATE CODE (e.g. 0106)
 XXXXXXXX-X XXXX



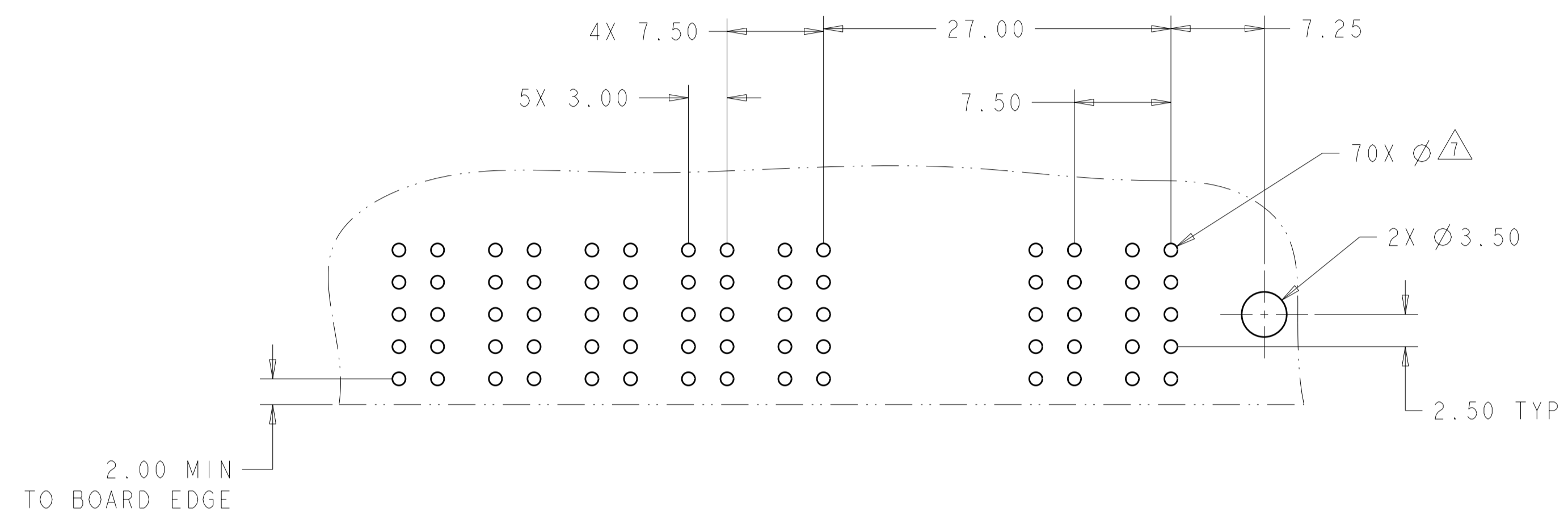
AS SHOWN	1926799-1
DESCRIPTION	PART NUMBER

ELCON FLATPAQ

THIS DRAWING IS A CONTROLLED DOCUMENT FOR TYCO ELECTRONICS CORPORATION. IT IS SUBJECT TO CHANGE AND THE CONTROLLING ENGINEERING ORGANIZATION SHOULD BE CONTACTED FOR THE LATEST REVISION.		DWN R. GRZYBOWSKI 02APR2008	Tyco Electronics Harrisburg, PA 17105-3608	
DIMENSIONS: mm		CHK P. DAMATO 02APR2008	NAME PIN CONNECTOR ASSEMBLY RIGHT ANGLE SOLDER TAILS	
TOLERANCES UNLESS OTHERWISE SPECIFIED: 0 PLC ±. 1 PLC ±.5 2 PLC ±.25 3 PLC ±. 4 PLC ±. ANGLES ±3		APVD S. FLICKINGER 02APR2008	RESTRICTED TO	
MATERIAL		PRODUCT SPEC	SIZE A200779	DRAWING NO 1926799
		APPLICATION SPEC	SCALE 3:1 SHEET 1 OF 3 REV A	
		WEIGHT	CUSTOMER DRAWING	

THIS DRAWING IS UNPUBLISHED. RELEASED FOR PUBLICATION 20
 © COPYRIGHT 20 BY TYCO ELECTRONICS CORPORATION. ALL RIGHTS RESERVED.

LOC	DIST	REVISIONS			
P	LTR	DESCRIPTION	DATE	DWN	APVD
GP	00	-	SEE SHEET 1	-	-



PRINTED CIRCUIT LAYOUT
 COMPONENT SIDE

CONNECTOR	EQUIVALENT CATALOG #	MODULE QTY	CONTACT QTY	SIZE NO.	MATING PIN	MAX. CURRENT (PER CONTACT)	CONTACT SPACING	VOLTAGE RATING
PIN	FP104	5	5	8	1.25 X 7.00 [.049 X .276]	35 amps	7.50 [.2953]	250 VOLTS
	FP151	2	2	8	1.25 X 7.00 [.049 X .276]	35 amps	7.50 [.2953]	250 VOLTS
	FP507	1	-	RIGHT ANGLE GUIDE PIN, PASSIVE				
	FP501	1	-	RIGHT MOUNTING FLANGE				

THIS DRAWING IS A CONTROLLED DOCUMENT FOR TYCO ELECTRONICS CORPORATION. IT IS SUBJECT TO CHANGE AND THE CONTROLLING ENGINEERING ORGANIZATION SHOULD BE CONTACTED FOR THE LATEST REVISION.

DWN: R. GRZYBOWSKI 02APR2008
 CHK: P. DAMATO 02APR2008
 APVD: S. FLICKINGER 02APR2008

Tyco Electronics
 Harrisburg, PA 17105-3608

NAME: PIN CONNECTOR ASSEMBLY
 RIGHT ANGLE
 SOLDER TAILS

SIZE: A2 CAGE CODE: 00779 DRAWING NO: 1926799 RESTRICTED TO: -

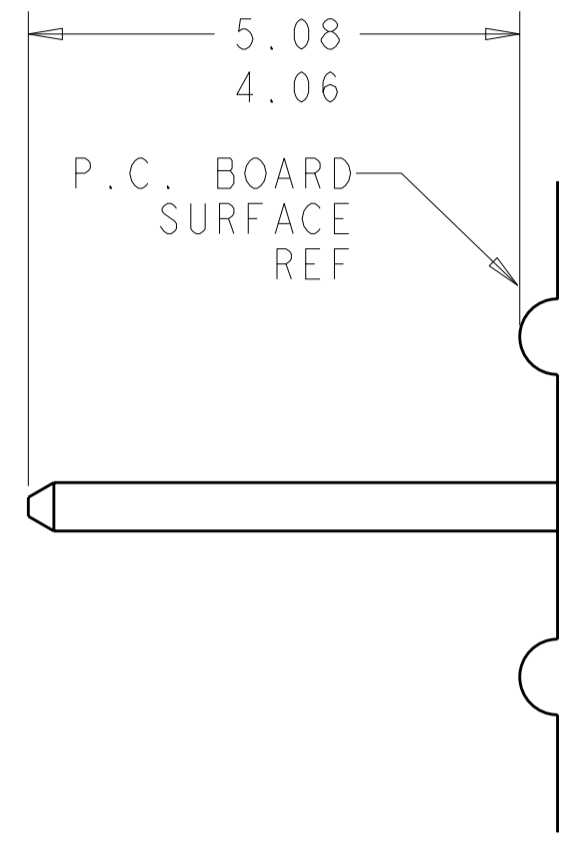
MATERIAL: - FINISH: - WEIGHT: -

CUSTOMER DRAWING SCALE: 3:1 SHEET 2 OF 3 REV A

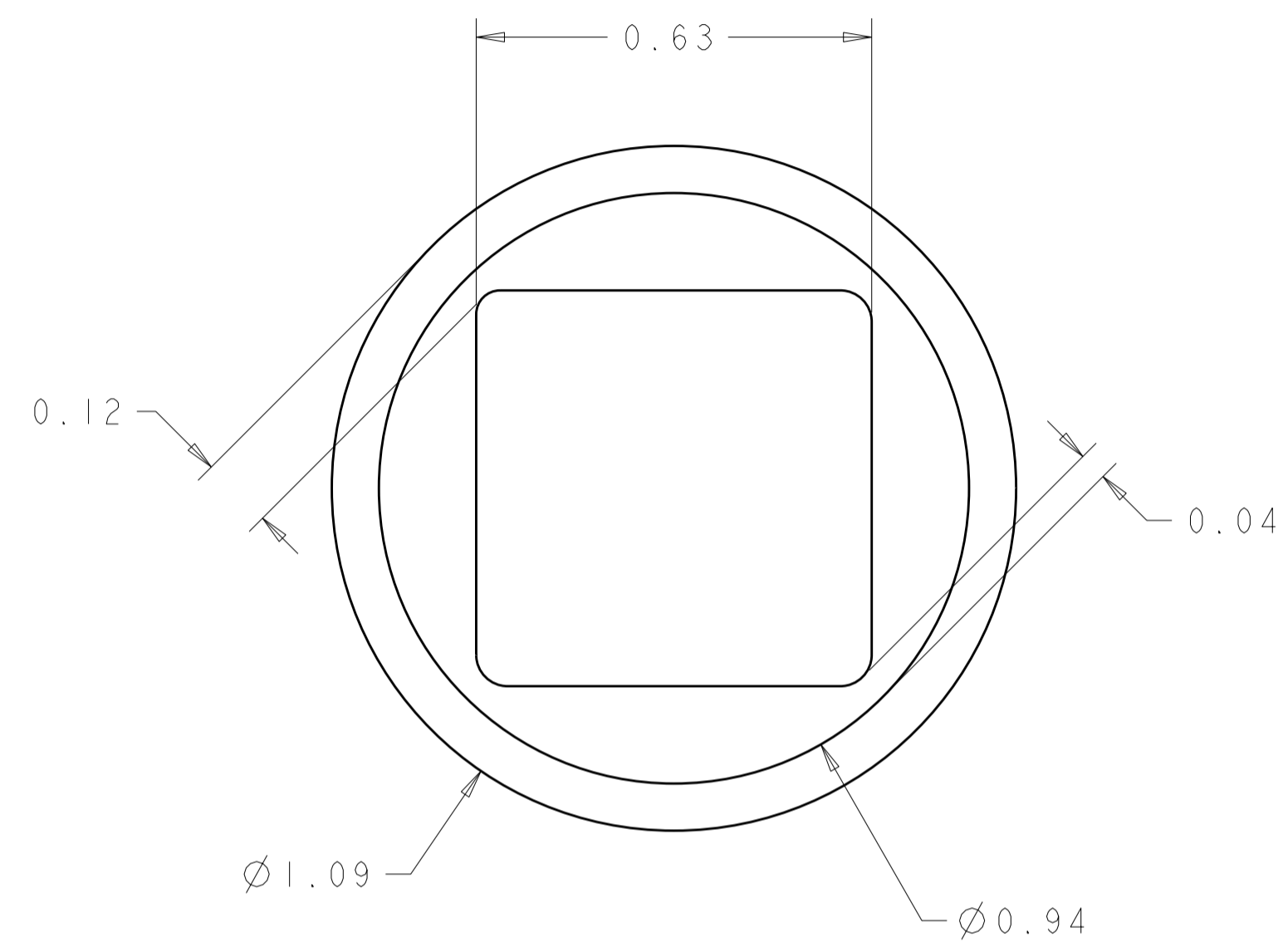
ELCON FLATPAQ

THIS DRAWING IS UNPUBLISHED. RELEASED FOR PUBLICATION 20
 © COPYRIGHT 20 BY TYCO ELECTRONICS CORPORATION. ALL RIGHTS RESERVED.

LOC	DIST	REVISIONS			
P	LTR	DESCRIPTION	DATE	DWN	APVD
GP	00	-	SEE SHEET 1	-	-



6. SOLDER PIN DETAIL
SCALE 10:1



7. SOLDER TERMINATION AREA
SCALE 40:1
 RECOMMENDED PRINTED CIRCUIT SOLDER HOLE
 FINISHED HOLE: Ø1.02 [.040] ±.08 [.003]
 DRILLED HOLE: Ø1.15 [.0453] ±.013 [.0005]
 COPPER PLATE: .025 [.0010] MIN.
 TIN PLATE: .008 [.0003] MIN. (PER SURFACE)

ELCON FLATPAQ

THIS DRAWING IS A CONTROLLED DOCUMENT FOR TYCO ELECTRONICS CORPORATION. IT IS SUBJECT TO CHANGE AND THE CONTROLLING ENGINEERING ORGANIZATION SHOULD BE CONTACTED FOR THE LATEST REVISION.		DWN R. GRZYBOWSKI 02APR2008	Tyco Electronics Harrisburg, PA 17105-3608	
DIMENSIONS: mm		CHK P. DAMATO 02APR2008	NAME PIN CONNECTOR ASSEMBLY RIGHT ANGLE SOLDER TAILS	
TOLERANCES UNLESS OTHERWISE SPECIFIED: 0 PLC ±.5 1 PLC ±.25 2 PLC ±.25 3 PLC ±. 4 PLC ±. ANGLES ±3		APVD S. FLICKINGER 02APR2008	SIZE A200779	DRAWING NO C-1926799
MATERIAL	FINISH	PRODUCT SPEC - APPLICATION SPEC - WEIGHT -	RESTRICTED TO -	SCALE 3:1 SHEET 3 OF 3 REV A
CUSTOMER DRAWING				