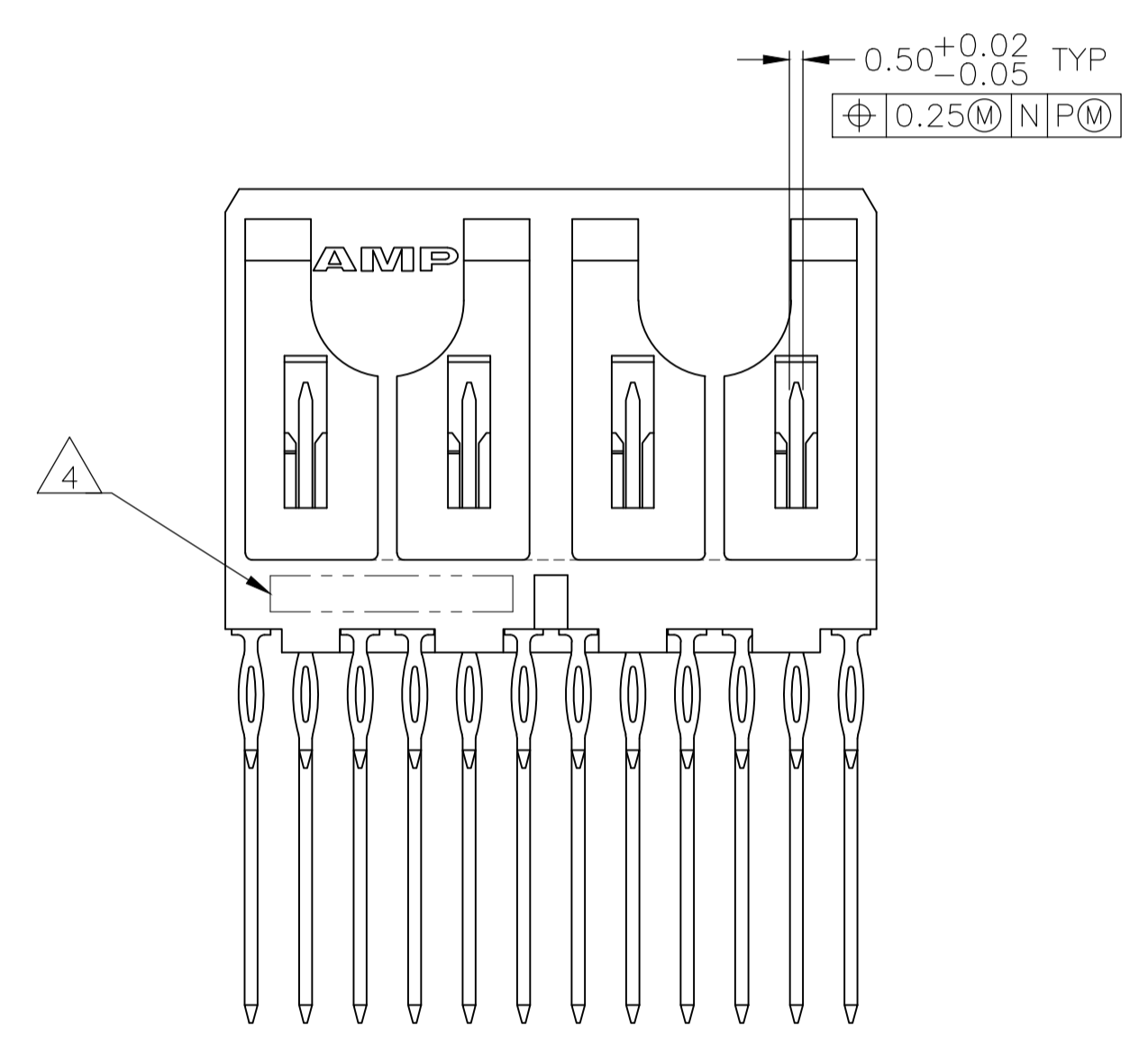
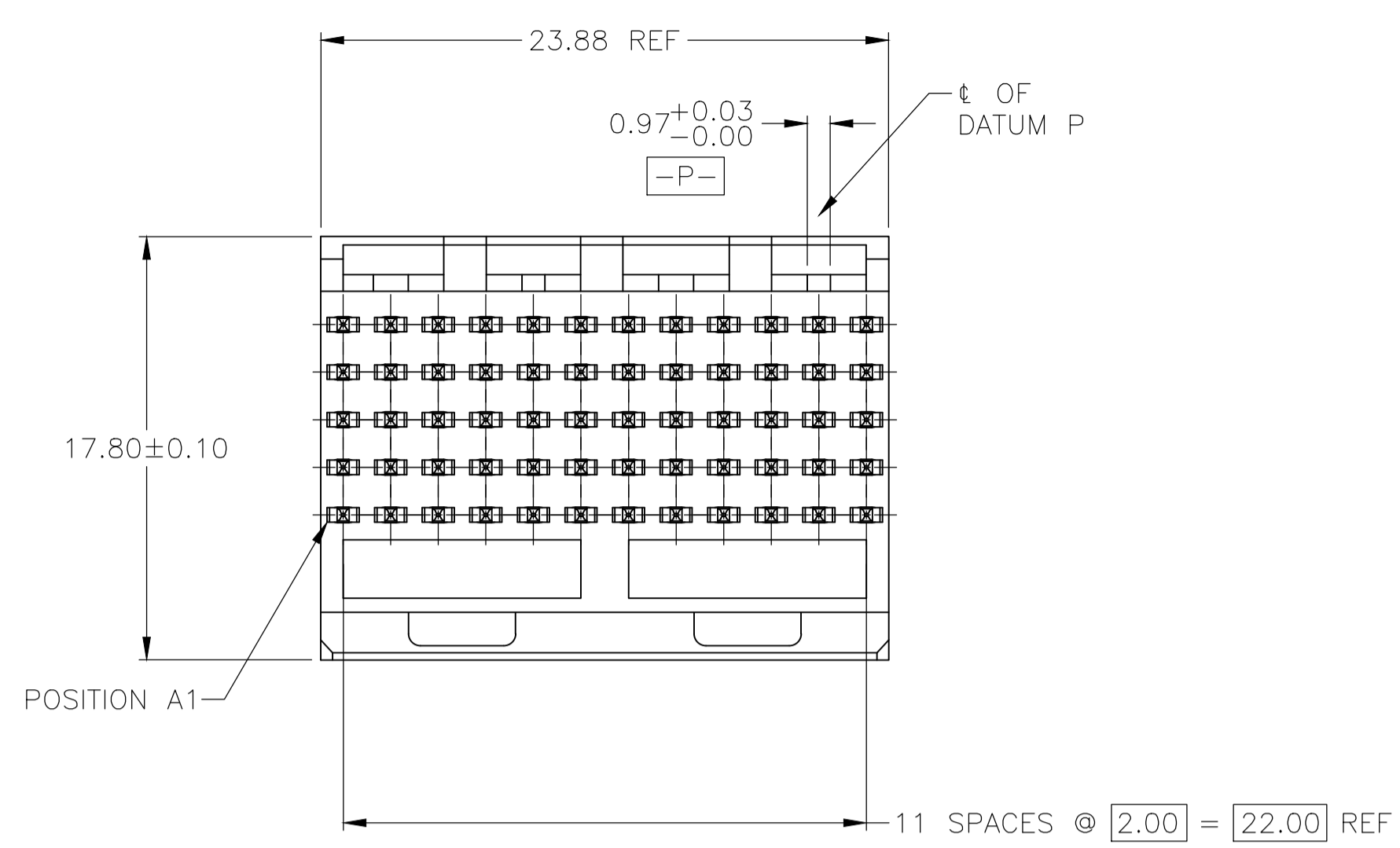
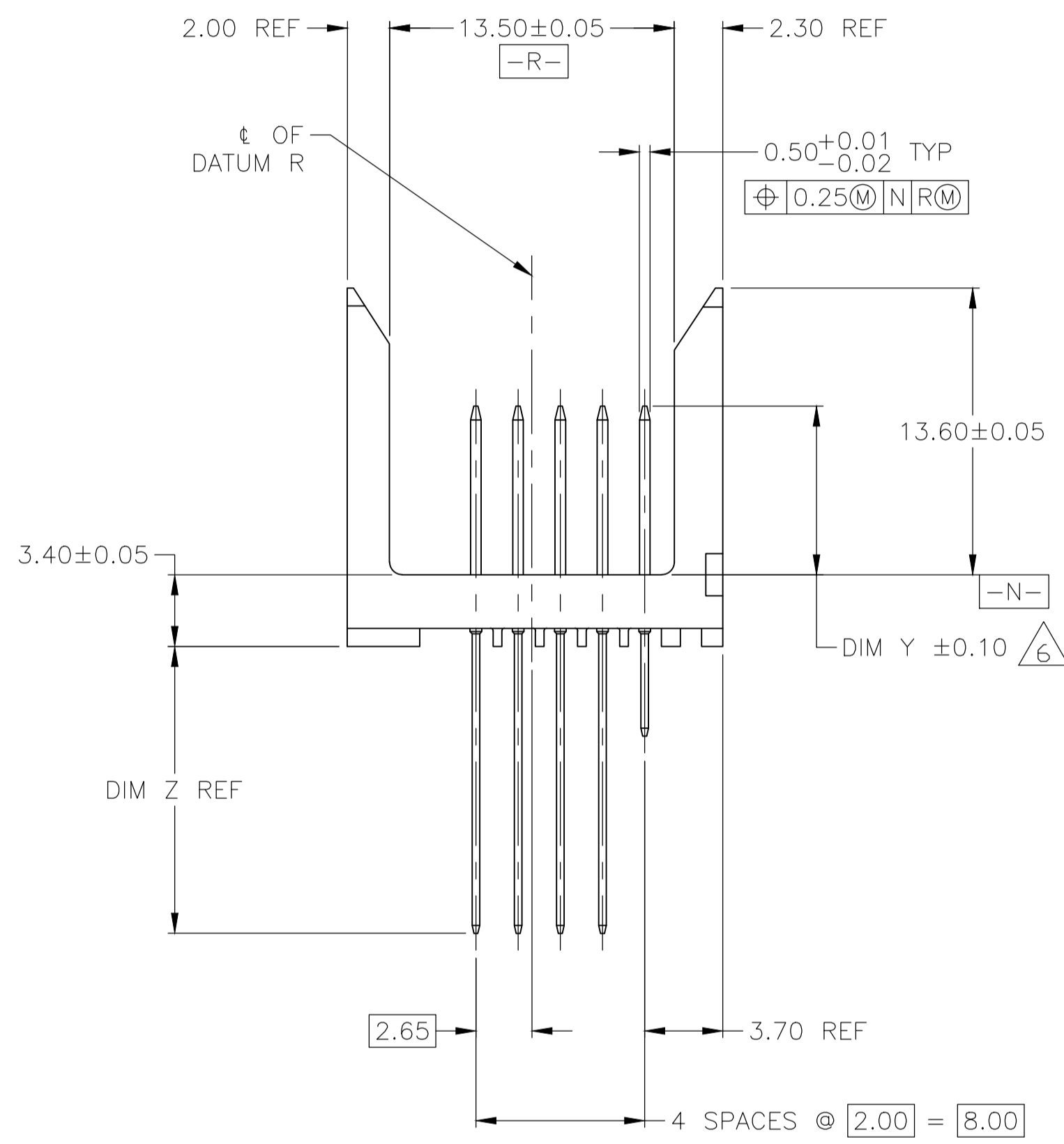


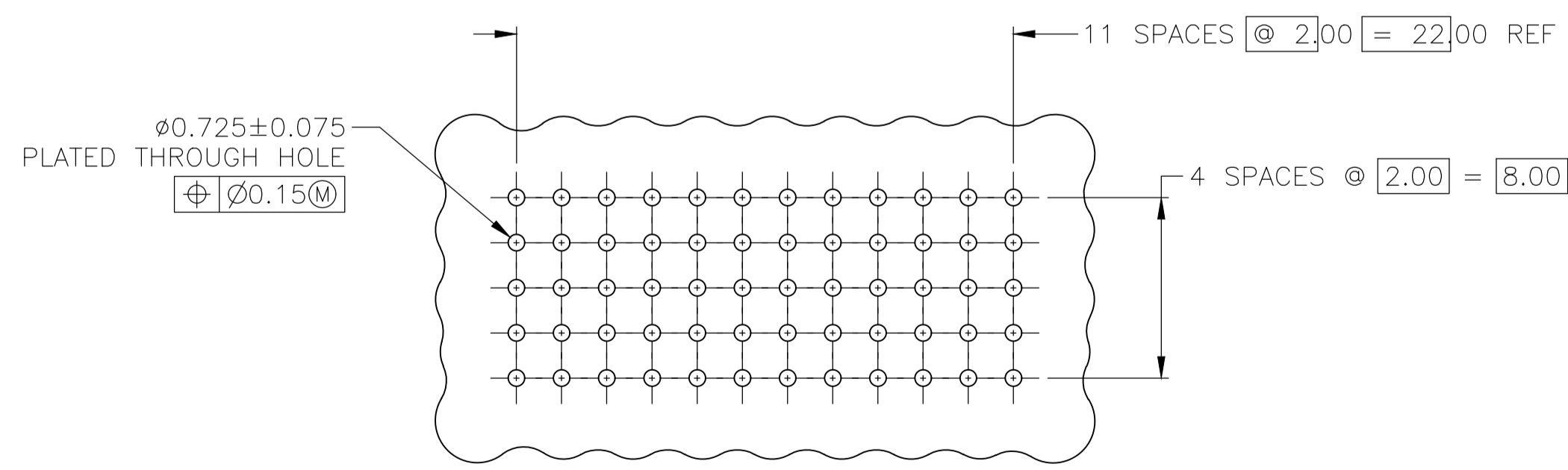
REVISIONS					
P	LTR	DESCRIPTION	DATE	DW	APVD
F		REVISED PER ECO-20-013368	28SEP2020	RZ	HL



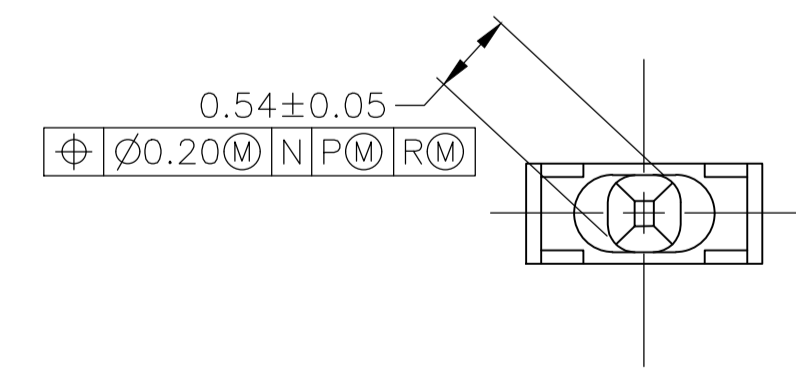
5223081-1 AS SHOWN



- 1 HOUSING MATERIAL: LIQUID CRYSTAL POLYMER, NATURAL.
- 2 CONTACT MATERIAL: PHOSPHOR BRONZE.
- 3 CONTACT FINISH:
UNDERPLATE (ENTIRE CONTACT):
0.00127 MIN NICKEL PER SAE-AMS-QQ-N-290
ON MATING SURFACES:
CONFORMS TO ALL TESTING SPECIFIED FOR TELCORDIA UNCONTROLLED ENVIRONMENT.
ON LEADS:
0.0006 MIN MATTE TIN PER ASTM B 545 OVER UNDERPLATE.
LUBRICATION (MIN MATING SURFACES):
SURFACE CONDITIONER AFTER PLATING.
- 4 PART MARKING, LOCATED APPROXIMATELY AS SHOWN.
- 5. SEE SHEET 2 FOR SEQUENCING CHARTS.
- 6 DIMENSION APPLIES WHEN SEATED ON PRINTED CIRCUIT BOARD.
- 7 SEE RESTRICTED CUSTOMER DRAWING.



RECOMMENDED CIRCUIT PATTERN
(COMPONENT SIDE)



VIEW Z-Z
SCALE 20:1

OBSOLETE	6-5223081-0
OBSOLETE	5-5223081-9
OBSOLETE	5-5223081-8
OBSOLETE	5-5223081-7
OBSOLETE	5-5223081-6
OBSOLETE	5-5223081-0
OBSOLETE	4-5223081-9
OBSOLETE	4-5223081-8
OBSOLETE	4-5223081-6
SUPERCEDED BY 4-1705989-3 4-5223081-3	
OBSOLETE	3-5223081-5
OBSOLETE	3-5223081-2
	3-5223081-1
OBSOLETE	3-5223081-0
OBSOLETE	2-5223081-9
OBSOLETE	2-5223081-8
OBSOLETE	2-5223081-6
	2-5223081-4
OBSOLETE	1-5223081-2
OBSOLETE	1-5223081-1
OBSOLETE	1-5223081-0
OBSOLETE	5223081-9
	5223081-8
OBSOLETE	5223081-7
OBSOLETE	5223081-6
OBSOLETE	5223081-5
OBSOLETE	5223081-4
	5223081-3
OBSOLETE	5223081-2
OBSOLETE	5223081-1
	PART NUMBER

THIS DRAWING IS A CONTROLLED DOCUMENT.		DIN B MCMMASTER 130EC04	TE Connectivity	
DIMENSIONS: mm		CIRK R WERTZ 130EC04		
TOLERANCES UNLESS OTHERWISE SPECIFIED:		APVD R WERTZ 130EC04	NAME	
0 PLC ± -		PRODUCT SPEC	PIN ASSY Z-PACK 2mm FB SIGNAL	
1 PLC ± -		APPLICATION SPEC	VERTICAL 5R 60P	
2 PLC ± 0.13		SIZE	PRESS FIT LEADS W/SEQUENCING	
3 PLC ± -		WEIGHT	A1 00779 C=5223081	
4 PLC ± -		CUSTOMER DRAWING	SCALE 4:1 SHEET 1 OF 2 REV F	
ANGLES ± -				

