

4

3

2

1

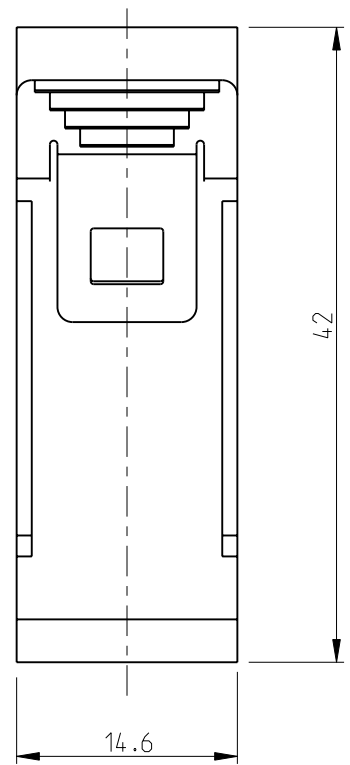
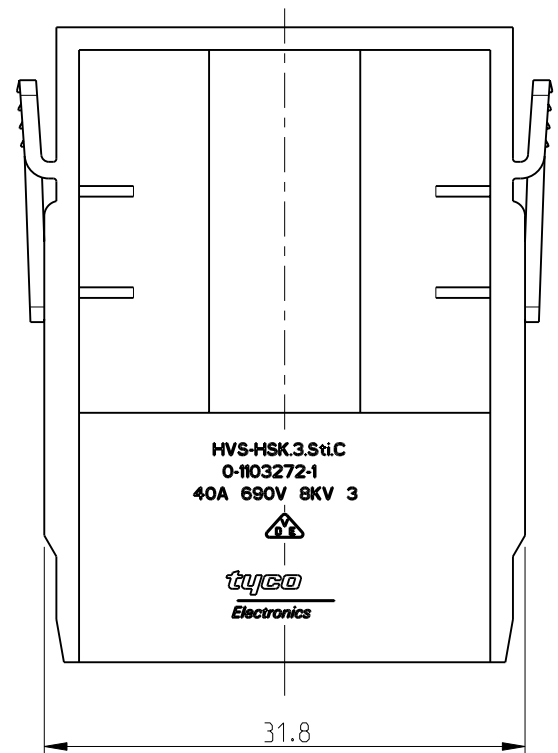
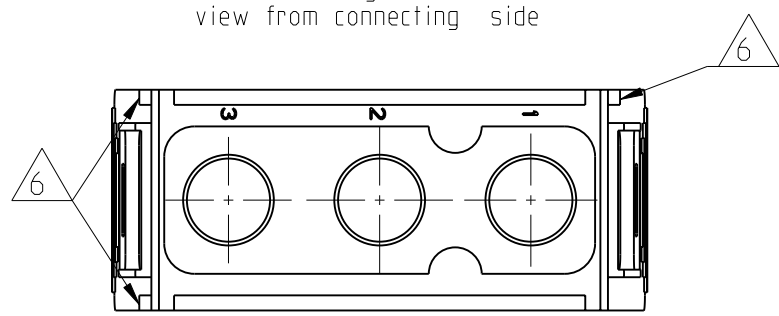
THIS DRAWING IS UNPUBLISHED. RELEASED FOR PUBLICATION 2000

© COPYRIGHT 2000 BY TYCO ELECTRONICS CORPORATION. ALL RIGHTS RESERVED.

LOC	DIST	REVISIONS			
P	LTR	DESCRIPTION	DATE	DWN	APVD
		C1	ECR-10-023156	11NOV2010	SR OH

PN 0-1 As Shown

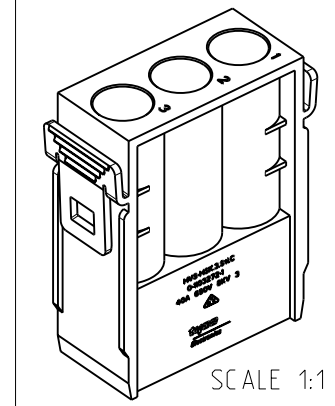
Contact arrangement view from connecting side



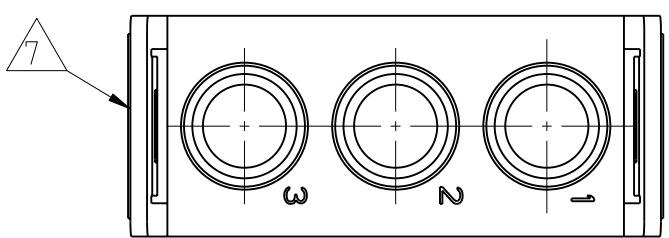
NOTES

- SUITABLE CRIMP CONTACTS: SERIES HSK  
CUSTOMER DRAWING: 1108757  
OUTER DIMENSIONS OF INSULATION: MAX. Ø8mm
- SUITABLE MODULE FIXING FRAME: SERIES HVS SIZE 3 TO 8  
CUSTOMER DRAWING: 1103250
- SUITABLE INSERTION TOOL:  
CUSTOMER DRAWING: 1102855
- SUITABLE EXTRACTION TOOL:  
CUSTOMER DRAWING: 1102855
- STANDARDS:  
DIN EN 61984; DIN EN 60664-1
- POLARIZATION RIBS
- MARKING OF POLARIZATION ACCORDING TO MARKING OF MODULE FRAME
- PACKAGING:  
10 PIECES IN A CARTON

PN 0-1 As Shown



Contact arrangement view from termination side



1	FEMALE INSERT	PC-GF20	LYGHT GREY	1
0-1	DESCRIPTION	MATERIAL	COLOR	ITEM NO
	HVS-HSK.3.Sti.C			

THIS DRAWING IS A CONTROLLED DOCUMENT FOR TYCO ELECTRONICS CORPORATION IT IS SUBJECT TO CHANGE AND THE CONTROLLING ENGINEERING ORGANIZATION SHOULD BE CONTACTED FOR THE LATEST REVISION.

DIMENSIONS:		TOLERANCES UNLESS OTHERWISE SPECIFIED:	
mm			
		ISO 8075	
		DIN 150 2768	mH-E
		DIN 16901-120	
		0 PLC	±
		1 PLC	±
		2 PLC	±
		3 PLC	±
		4 PLC	±
		ANGLES	±
MATERIAL		FINISH	

DWN	20.02.2006	SCHNEIDER
CHK	20.02.2006	A.GAST
APVD	20.02.2006	T.SCHNURPFIL
PRODUCT SPEC	108-74081	
APPLICATION SPEC	114-74083	
WEIGHT		
CUSTOMER DRAWING		

Tyco Electronics		Tyco Electronics AMP GmbH	
		53757 Sankt Augustin, Germany	
NAME MALE INSERT HVS-HSK.3.STI.C			
SIZE	CAGE CODE	DRAWING NO	RESTRICTED TO
A3	00779	C=1103272	
SCALE 2:1		SHEET 1 OF 1	REV C1