



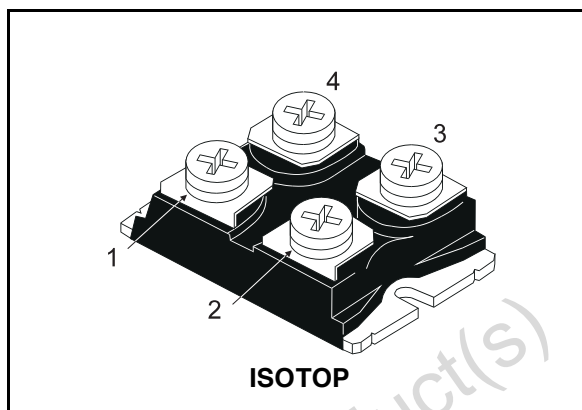
STE50DE100

Hybrid Emitter Switched Bipolar Transistor
 ESBT[®] 1000 V - 50 A - 0.026 Ω

General features

$V_{CS(ON)}$	I_C	$R_{CS(ON)}$
1.3 V	50 A	0.026 Ω

- High voltage / high current Cascode configuration
- Ultra low equivalent on resistance
- Very fast-switch up to 150 kHz
- Ultra low C_{iss}
- Low dynamic $V_{CS(ON)}$



Applications

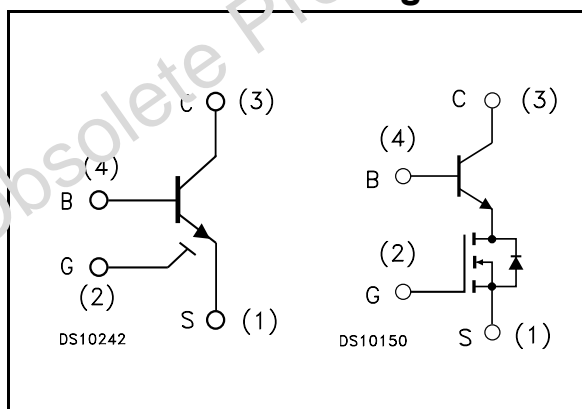
- Industrial converters
- Welding

Description

The STE50DE100 is manufactured in a hybrid structure, using dedicated high voltage Bipolar and low voltage MOSFET technologies, aimed to providing the best performance in ESBT topology.

The STE50DE100 is designed for use in industrial converters and/or welding equipment.

Internal schematic diagrams



Order codes

Part Number	Marking	Package	Packing
STE50DE100	STE50DE100	ISOTOP	Tube

Contents

1	Electrical ratings	3
2	Electrical characteristics	4
2.1	Electrical characteristics (curves)	5
2.2	Test circuits	7
3	Package mechanical data	8
4	Revision history	10

Obsolete Product(s) - Obsolete Product(s)

1 Electrical ratings

Table 1. Absolute maximum rating

Symbol	Parameter	Value	Unit
$V_{CS(SS)}$	Collector-source voltage ($V_{BS} = V_{GS} = 0\text{ V}$)	1000	V
$V_{BS(OS)}$	Base-source voltage ($I_C = 0, V_{GS} = 0\text{ V}$)	40	V
$V_{SB(OS)}$	Source-base voltage ($I_C = 0, V_{GS} = 0\text{ V}$)	12	V
V_{GS}	Gate-source voltage	± 20	V
I_C	Collector current	50	A
I_{CM}	Collector peak current ($t_P < 5\text{ms}$)	150	A
I_B	Base current	10	A
I_{BM}	Base peak current ($t_P < 5\text{ms}$)	50	A
P_{tot}	Total dissipation at $T_c = 25^\circ\text{C}$	160	W
V_{INS}	Insulation withstand voltage (AC-RMS) from all four leads to external heatsink	2500	V
T_{stg}	Storage temperature	-40 to 150	$^\circ\text{C}$
T_J	Max. operating junction temperature	150	$^\circ\text{C}$

Table 2. Thermal data

Symbol	Parameter	Value	Unit
$R_{thj-case}$	Thermal resistance junction-case max	0.78	$^\circ\text{C/W}$
R_{thc-h}	Thermal resistance case-heatsink with conductive grease applied max	0.05	$^\circ\text{C/W}$

2 Electrical characteristics

($T_{\text{case}} = 25^{\circ}\text{C}$ unless otherwise specified)

Table 3. Electrical characteristics

Symbol	Parameter	Test Conditions	Min.	Typ.	Max.	Unit
$I_{\text{CS(SS)}}$	Collector-source current ($V_{\text{BS}} = V_{\text{GS}} = 0$)	$V_{\text{CE}} = 1000\text{V}$			100	μA
$I_{\text{BS(OS)}}$	Base-source current ($I_{\text{C}} = 0, V_{\text{GS}} = 0$)	$V_{\text{BS(OS)}} = 40\text{V}$			10	μA
$I_{\text{SB(OS)}}$	Source-base current ($I_{\text{C}} = 0, V_{\text{GS}} = 0$)	$V_{\text{SB(OS)}} = 10\text{V}$			100	μA
$I_{\text{GS(OS)}}$	Gate-source leakage	$V_{\text{GS}} = \pm 20\text{V}$			500	nA
$V_{\text{CS(ON)}}$	Collector-source ON voltage	$V_{\text{GS}} = 10\text{V } I_{\text{C}} = 50\text{A } I_{\text{B}} = 10\text{A}$ $V_{\text{GS}} = 10\text{V } I_{\text{C}} = 30\text{A } I_{\text{B}} = 3\text{A}$		1.3 1.1		V V
h_{FE}	DC current gain	$V_{\text{GS}} = 10\text{V } I_{\text{C}} = 50\text{A } V_{\text{CS}} = 1\text{V}$ $V_{\text{GS}} = 10\text{V } I_{\text{C}} = 30\text{A } V_{\text{CS}} = 1\text{V}$	3 6		7 13	
$V_{\text{BS(ON)}}$	Base Source ON voltage	$V_{\text{GS}} = 10\text{V } I_{\text{C}} = 50\text{A } I_{\text{B}} = 10\text{A}$ $V_{\text{GS}} = 10\text{V } I_{\text{C}} = 30\text{A } I_{\text{B}} = 3\text{A}$		2.2 1.4		V V
$V_{\text{GS(th)}}$	Gate threshold voltage	$V_{\text{BS}} = V_{\text{GS}} \quad I_{\text{B}} = 250\mu\text{A}$	3	3.7	4.5	V
C_{ISS}	Input capacitance	$V_{\text{CS}} = 25\text{V} \quad f = 1\text{MHz}$ $V_{\text{GS}} = V_{\text{CB}} = 0$		2500		pF
$Q_{\text{GS(tot)}}$	Gate-source charge	$V_{\text{CS}} = 25\text{V} \quad V_{\text{GS}} = 10\text{V}$ $V_{\text{CB}} = 0 \quad I_{\text{C}} = 50\text{A}$		60		nC
t_{s} t_{f}	INDUCTIVE LOAD Storage time Fall time	$I_{\text{C}} = 25\text{A } I_{\text{B}} = 5\text{A } V_{\text{GS}} = 10\text{V}$ $V_{\text{Clamp}} = 800\text{V } R_{\text{G}} = 47\Omega$ $t_{\text{p}} = 4\mu\text{s} \quad (\text{see figure 13})$		650 10		ns ns
t_{s} t_{f}	INDUCTIVE LOAD Storage time Fall time	$I_{\text{C}} = 25\text{A } I_{\text{B}} = 2.5\text{A } V_{\text{GS}} = 10\text{V}$ $V_{\text{Clamp}} = 800\text{V } R_{\text{G}} = 47\Omega$ $t_{\text{p}} = 4\mu\text{s} \quad (\text{see figure 13})$		430 6		ns ns
V_{CSW}	Maximum collector- source voltage switched without snubber	$R_{\text{G}} = 47\Omega \quad h_{\text{FE}} = 5\text{A } I_{\text{C}} = 35\text{A}$	1000			V
$V_{\text{CS(dyn)}}$	Collector-source dynamic voltage (500ns)	$V_{\text{CC}} = V_{\text{Clamp}} = 300\text{V } V_{\text{GS}} = 10\text{V}$ $R_{\text{G}} = 47\Omega \quad I_{\text{C}} = 5\text{A } I_{\text{B}} = 5\text{A}$ $I_{\text{Bpeak}} = I_{\text{C}} = 25\text{A } t_{\text{peak}} = 500\text{ns}$		5.5		V
$V_{\text{CS(dyn)}}$	Collector-source dynamic voltage (1 μs)	$V_{\text{CC}} = V_{\text{Clamp}} = 300\text{V } V_{\text{GS}} = 10\text{V}$ $R_{\text{G}} = 47\Omega \quad I_{\text{C}} = 5\text{A } I_{\text{B}} = 5\text{A}$ $I_{\text{Bpeak}} = I_{\text{C}} = 25\text{A } t_{\text{peak}} = 500\text{ns}$		4.8		V

2.1 Electrical characteristics (curves)

Figure 1. Output characteristics

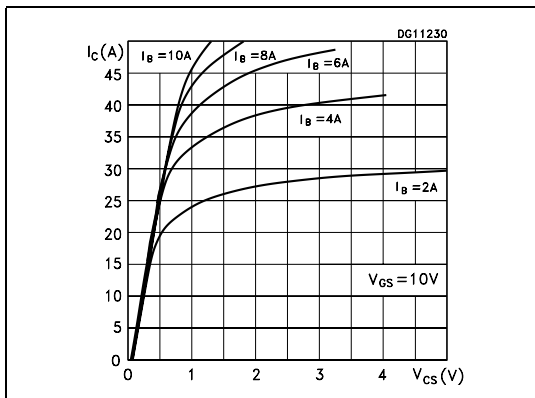


Figure 2. DC current gain

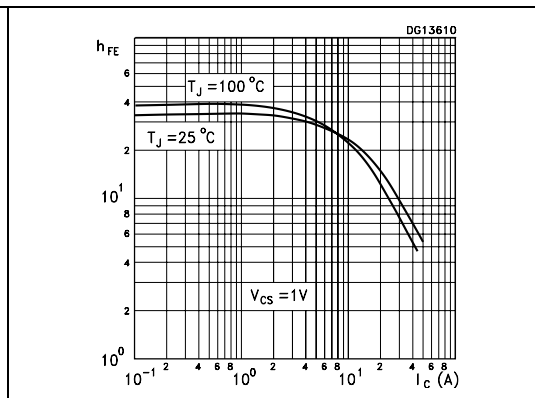


Figure 3. Collector-source On voltage

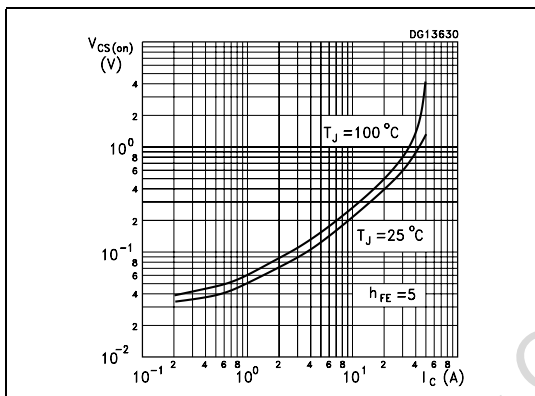


Figure 4. Collector-source On voltage

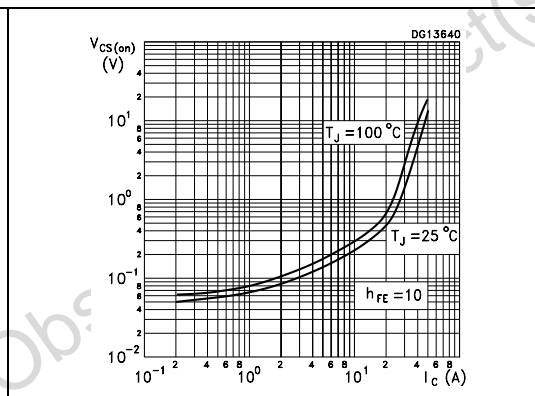


Figure 5. Base-source On voltage

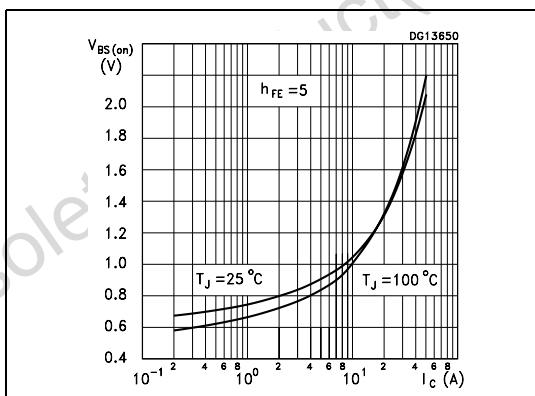


Figure 6. Base-source On voltage

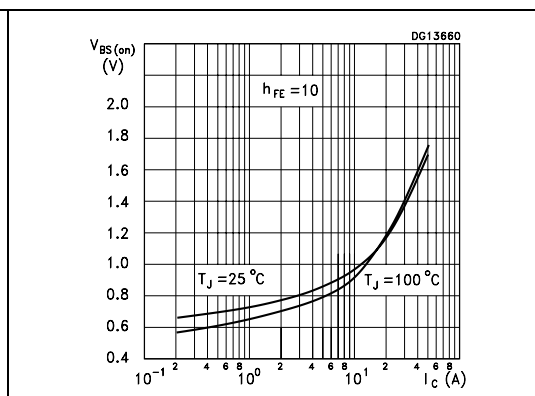


Figure 7. Reverse biased safe operating area

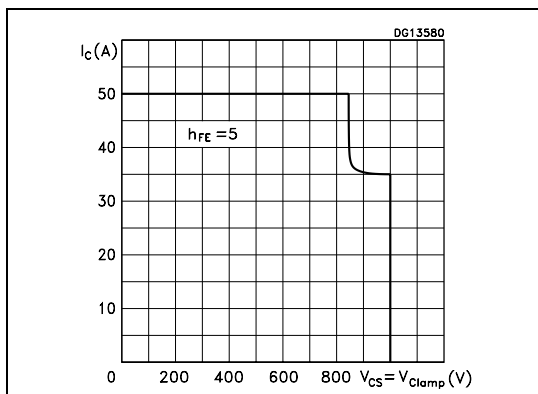


Figure 8. Gate threshold voltage vs temperature

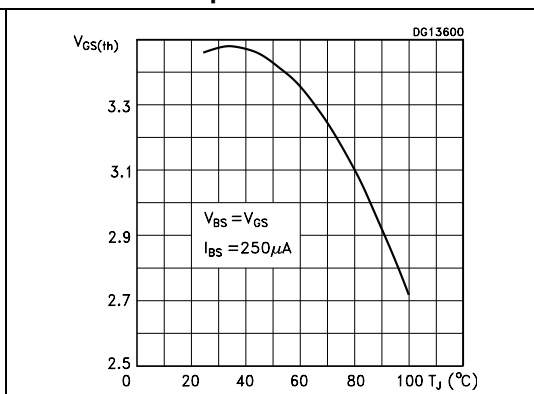


Figure 9. Dynamic collector-emitter saturation voltage

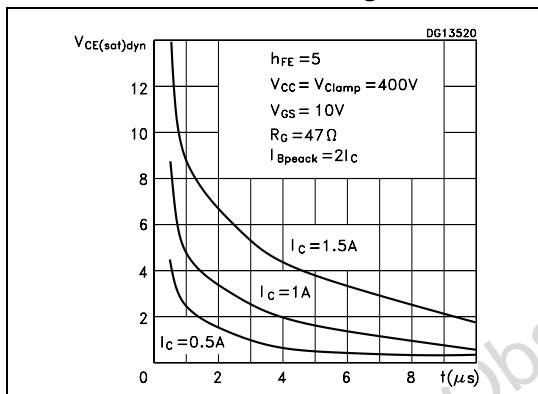


Figure 10. Inductive load switching time

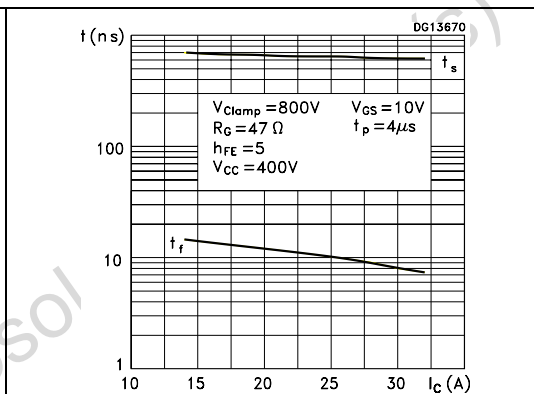
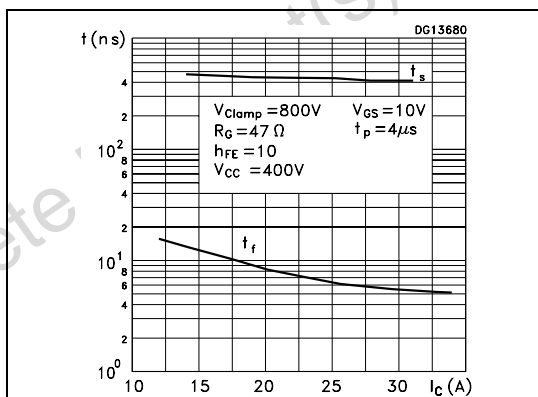


Figure 11. Inductive load switching time



2.2 Test circuits

Figure 12. Static $V_{CS(ON)}$ test circuit

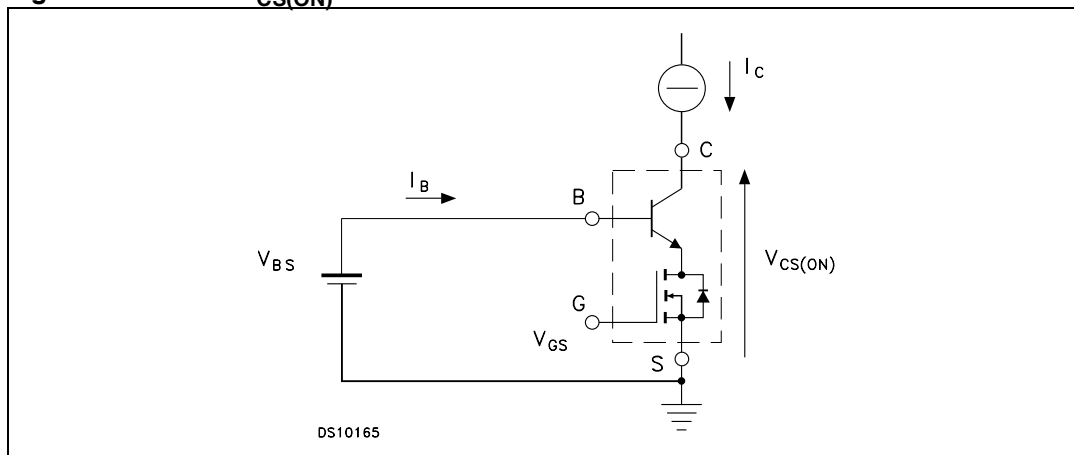


Figure 13. Inductive load switching and RBSOA test circuit

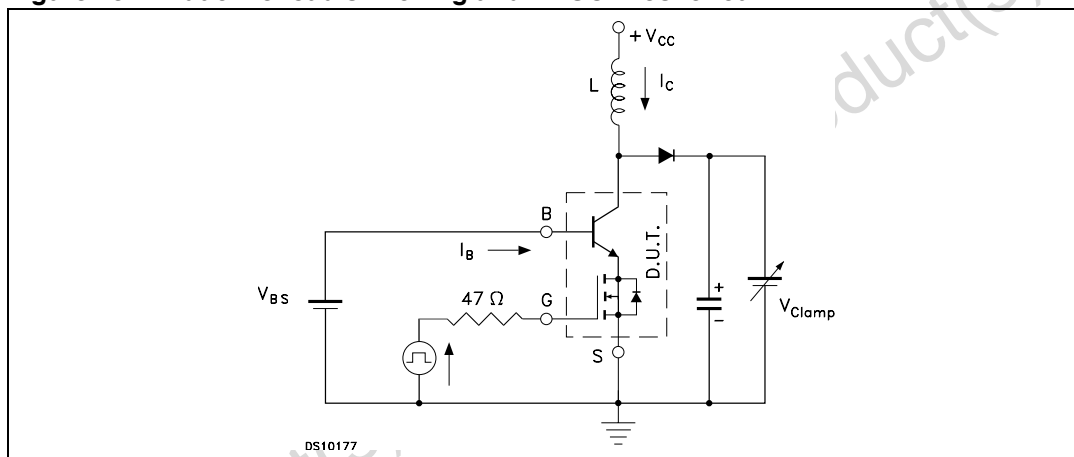
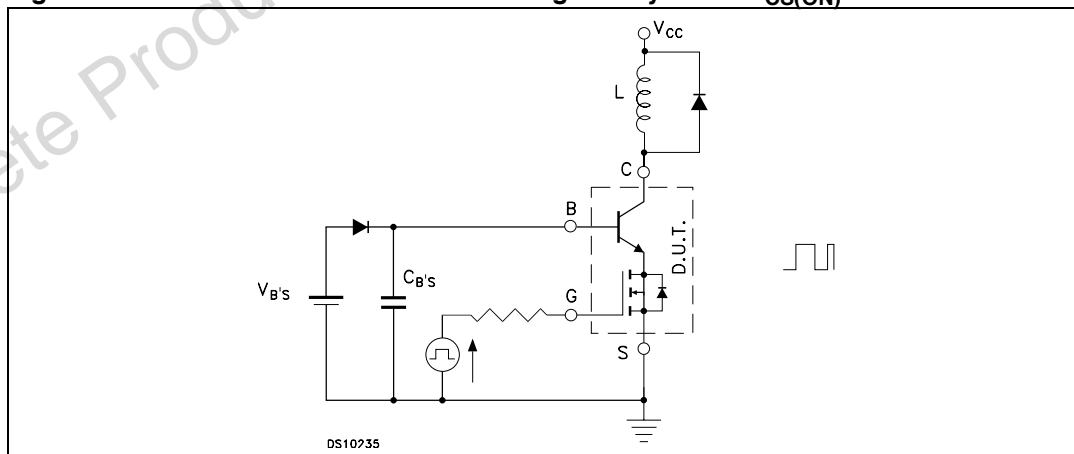


Figure 14. Inductive load turn-on switching and dynamic $V_{CS(ON)}$ test circuit



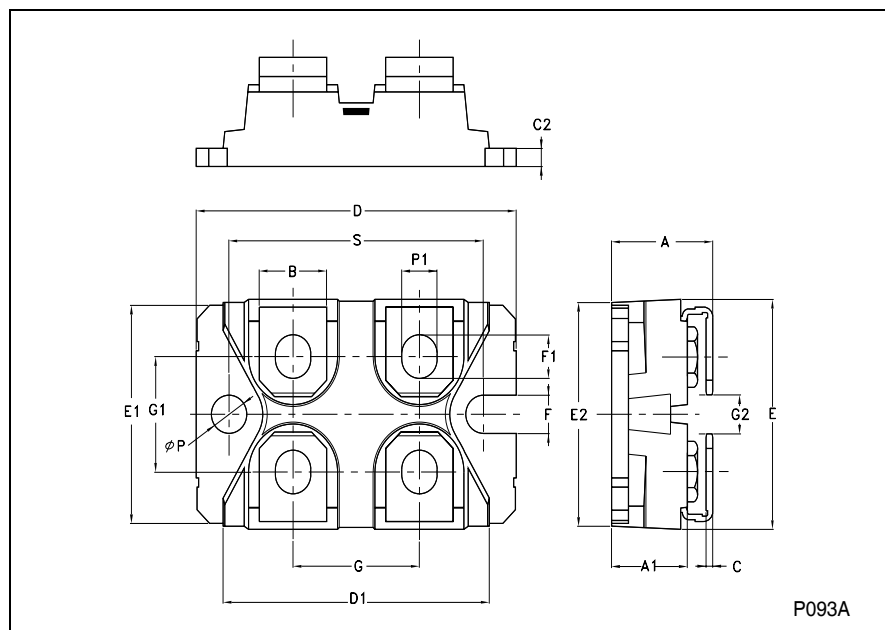
3 Package mechanical data

In order to meet environmental requirements, ST offers these devices in ECOPACK® packages. These packages have a Lead-free second level interconnect. The category of second level interconnect is marked on the package and on the inner box label, in compliance with JEDEC Standard JESD97. The maximum ratings related to soldering conditions are also marked on the inner box label. ECOPACK is an ST trademark. ECOPACK specifications are available at: www.st.com

Obsolete Product(s) - Obsolete Product(s)

ISOTOP MECHANICAL DATA

DIM.	mm			inch		
	MIN.	TYP.	MAX.	MIN.	TYP.	MAX.
A	11.8		12.2	0.465		0.480
A1	8.9		9.1	0.350		0.358
B	7.8		8.2	0.307		0.322
C	0.75		0.85	0.029		0.033
C2	1.95		2.05	0.076		0.080
D	37.8		38.2	1.488		1.503
D1	31.5		31.7	1.240		1.248
E	25.15		25.5	0.990		1.003
E1	23.85		24.15	0.938		0.950
E2		24.8			0.976	
G	14.9		15.1	0.586		0.594
G1	12.6		12.8	0.496		0.503
G2	3.5		4.3	0.137		1.169
F	4.1		4.3	0.161		0.169
F1	4.6		5	0.181		0.196
P	4		4.3	0.157		0.169
P1	4		4.4	0.157		0.173
S	30.1		30.3	1.185		1.193



P093A

4 Revision history

Table 4. Revision history

Date	Revision	Changes
06-Oct-2004	1	Initial release.
22-Jan-2007	2	The document has been reformatted

Obsolete Product(s) - Obsolete Product(s)

Please Read Carefully:

Information in this document is provided solely in connection with ST products. STMicroelectronics NV and its subsidiaries ("ST") reserve the right to make changes, corrections, modifications or improvements, to this document, and the products and services described herein at any time, without notice.

All ST products are sold pursuant to ST's terms and conditions of sale.

Purchasers are solely responsible for the choice, selection and use of the ST products and services described herein, and ST assumes no liability whatsoever relating to the choice, selection or use of the ST products and services described herein.

No license, express or implied, by estoppel or otherwise, to any intellectual property rights is granted under this document. If any part of this document refers to any third party products or services it shall not be deemed a license grant by ST for the use of such third party products or services, or any intellectual property contained therein or considered as a warranty covering the use in any manner whatsoever of such third party products or services or any intellectual property contained therein.

UNLESS OTHERWISE SET FORTH IN ST'S TERMS AND CONDITIONS OF SALE ST DISCLAIMS ANY EXPRESS OR IMPLIED WARRANTY WITH RESPECT TO THE USE AND/OR SALE OF ST PRODUCTS INCLUDING WITHOUT LIMITATION IMPLIED WARRANTIES OF MERCHANTABILITY, FITNESS FOR A PARTICULAR PURPOSE (AND THEIR EQUIVALENTS UNDER THE LAWS OF ANY JURISDICTION), OR INFRINGEMENT OF ANY PATENT, COPYRIGHT OR OTHER INTELLECTUAL PROPERTY RIGHT.

UNLESS EXPRESSLY APPROVED IN WRITING BY AN AUTHORIZED REPRESENTATIVE OF ST, ST PRODUCTS ARE NOT RECOMMENDED, AUTHORIZED OR WARRANTED FOR USE IN MILITARY, AIR CRAFT, SPACE, LIFE SAVING, OR LIFE SUSTAINING APPLICATIONS, NOR IN PRODUCTS OR SYSTEMS, WHERE FAILURE OR MALFUNCTION MAY RESULT IN PERSONAL INJURY, DEATH, OR SEVERE PROPERTY OR ENVIRONMENTAL DAMAGE. ST PRODUCTS WHICH ARE NOT SPECIFIED AS "AUTOMOTIVE GRADE" MAY ONLY BE USED IN AUTOMOTIVE APPLICATIONS AT USER'S OWN RISK.

Resale of ST products with provisions different from the statements and/or technical features set forth in this document shall immediately void any warranty granted by ST for the ST product or service described herein and shall not create or extend in any manner whatsoever, any liability of ST.

ST and the ST logo are trademarks or registered trademarks of ST in various countries.

Information in this document supersedes and replaces all information previously supplied.

The ST logo is a registered trademark of STMicroelectronics. All other names are the property of their respective owners.

© 2007 STMicroelectronics - All rights reserved

STMicroelectronics group of companies

Australia - Belgium - Brazil - Canada - China - Czech Republic - Finland - France - Germany - Hong Kong - India - Israel - Italy - Japan - Malaysia - Malta - Morocco - Singapore - Spain - Sweden - Switzerland - United Kingdom - United States of America

www.st.com

