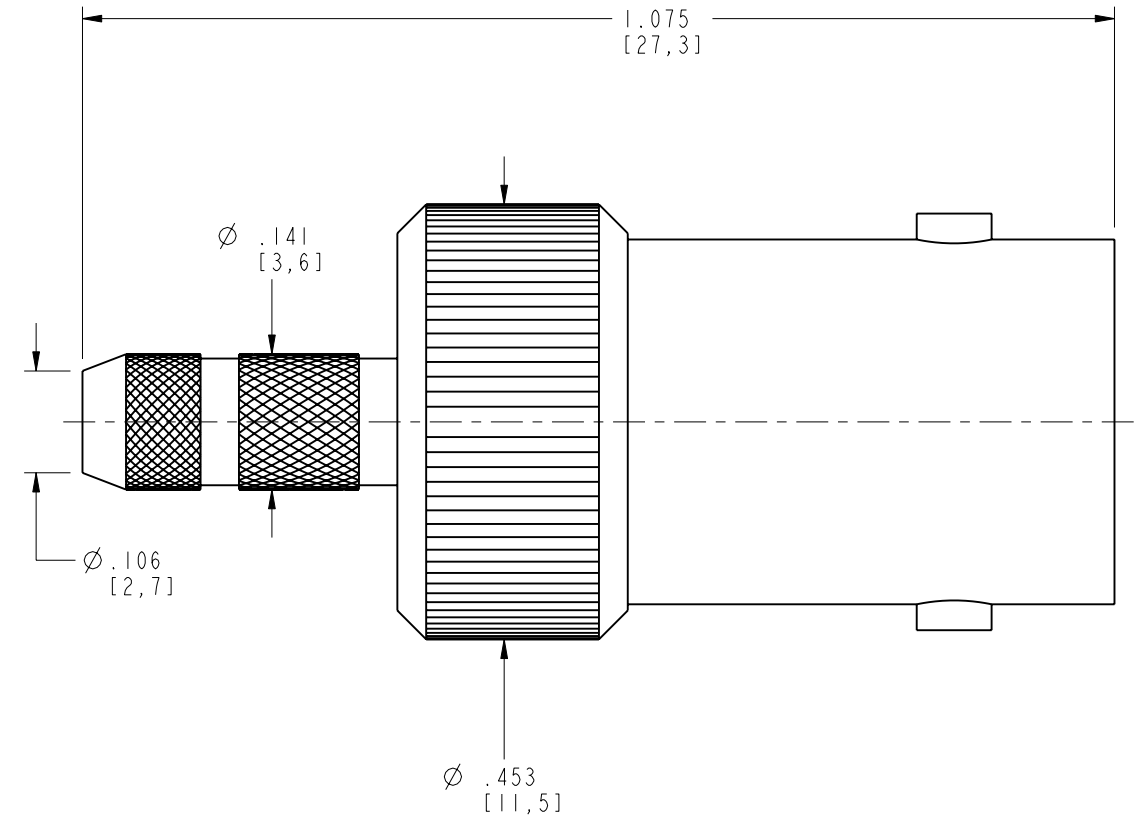
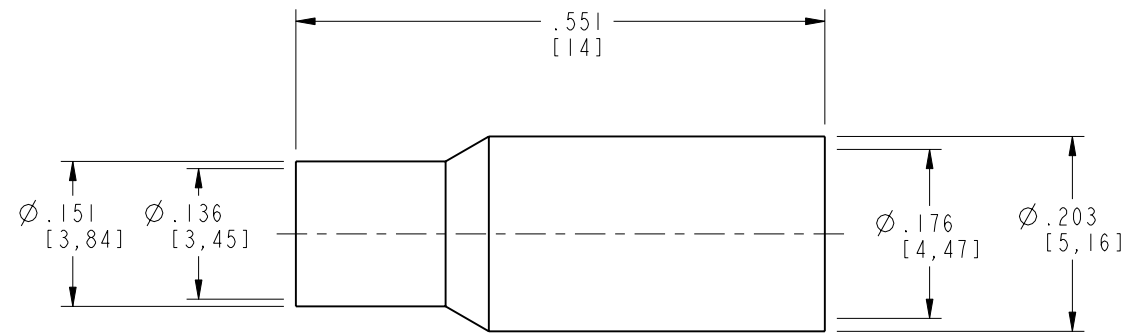
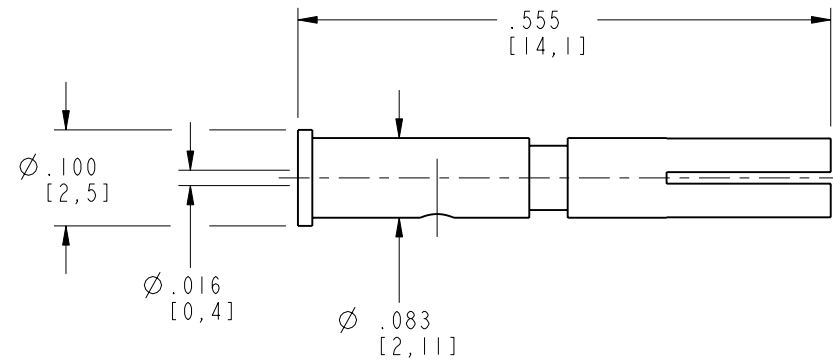
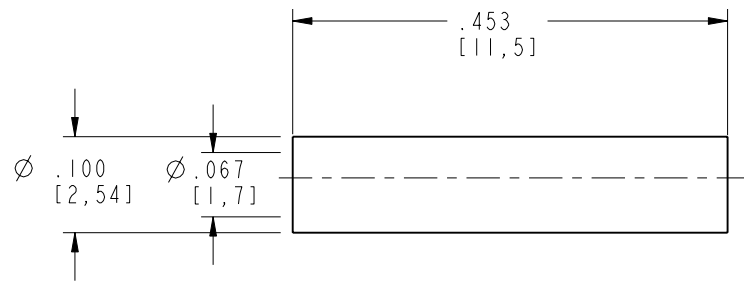
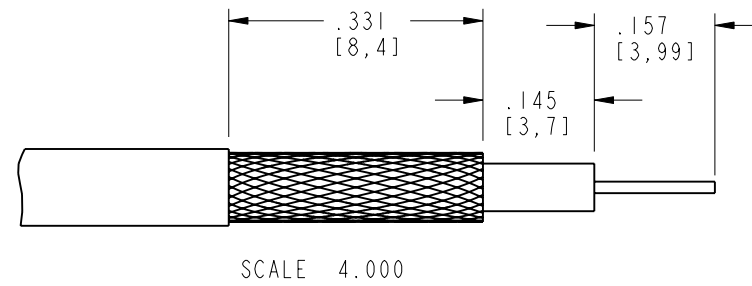


NOTES:

- MATERIALS AND FINISHES:  
 BODY & HOUSING - BRASS (ASTM-B16 H02 C36000), NICKEL PLATING (.000100 MIN THICK)  
 CONTACT PIN - PHOS BRONZE (QQ-B-750), GOLD PLATING (.000003 MIN THICK)  
 FERRULE - JIS H 3260, C 3501, NICKEL PLATING (.000100 MIN THICK)  
 INSULATOR & SLEEVE - DELRIN
- ELECTRICAL:  
 A. IMPEDANCE: 75 OHM  
 B. FREQUENCY RANGE: DC - 4 GHz  
 C. DIELECTRIC WITHSTANDING VOLTAGE: 1500 VRMS, MIN.
- MECHANICAL:  
 A. DURABILITY: 100 CYCLES MIN.  
 B. TEMPERATURE RANGE: -65° C TO 165° C
- PACKAGING:  
 A. QUANTITY: SINGLE PACK  
 B. MARKING: BAG TO BE MARKED  
 "AMPHENOL, 31-71018, AND DATE CODE"
- CRIMPED FERRULE, HEX CRIMP SIZE .178"  
 CRIMPED CONTACT PIN, HEX CRIMP SIZE .068"  
 TOOL # CTL-2

31-71018		REVISIONS			
DRAWING NO.	REV	DESCRIPTION	DATE	ECO	APPR
THIRD ANGLE PROJ.	A	RELEASE TO MFG	2/26/04	44802	KJC
	B	ADD NOTE 5	2/14/05	45389	CPM

**RECOMMENDED CABLE STRIPPING DIMENSIONS**



**CUSTOMER OUTLINE DRAWING**  
 ALL OTHER SHEETS ARE FOR INTERNAL USE ONLY

UNLESS OTHERWISE SPECIFIED, DIMENSIONS ARE IN INCHES AND TOLERANCES ARE: 2 PLACE DECIMAL ±.015 (0,381 mm) 3 PLACE DECIMAL ±.005 (0,127 mm) ANGLES ± 1°	MATERIAL	DRAWN K. CAPOZZI	DATE 18-Dec-03	TITLE BNC CABLE JACK FOR RD-179 DOUBLE BRAIDED CABLE		<b>Amphenol RF</b> Danbury, CT, USA Tainan, Taiwan Shenzhen, China www.amphenolrf.com	
	REFERENCE EAR 1235 GEN# ASSYF24_BNC	ENGINEER K. CAPOZZI	DATE 18-Dec-03				
NOTICE - These drawings, specifications, or other data (1) are, and remain the property of Amphenol Corp. (2) must be returned upon request; and (3) are confidential and not to be disclosed to any person other than those to whom they are given by Amphenol Corp. The furnishing of these drawings, specifications, or other data by Amphenol Corp., or to any other person to anyone for any purpose is not to be regarded by implication or otherwise in any manner licensing, granting rights or permitting such holder or any other person to manufacture, use or sell any product, process or design, patented or otherwise, that may in any way be related to or disclosed by said drawings, specifications, or other data.	CAD FILE I:\BNC\31-71018		CODE ID 74868	DWG SIZE B	DRAWING NO. 31-71018	SCALE: 5.0:1	SHEET 2 OF 2
						REV B	