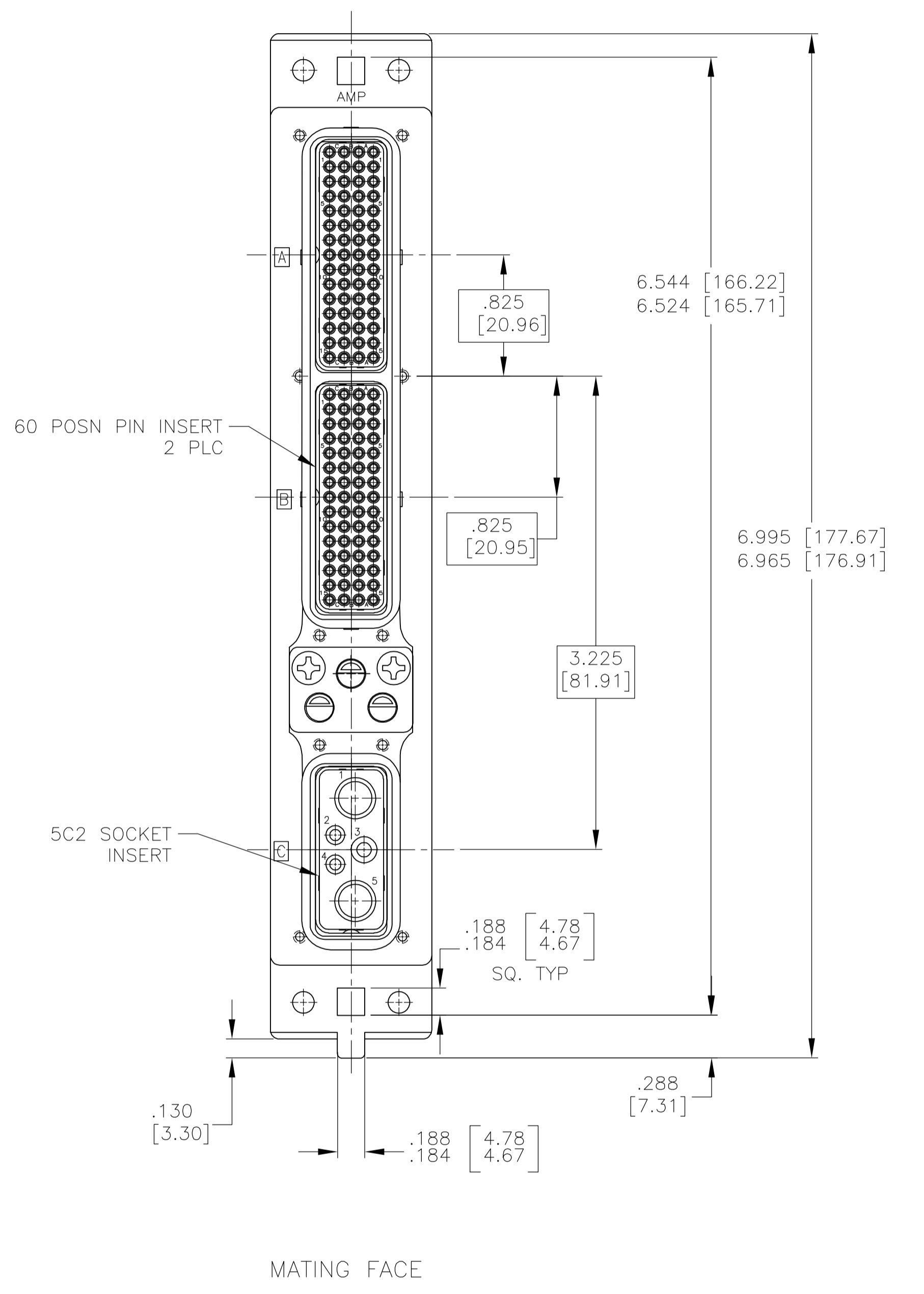
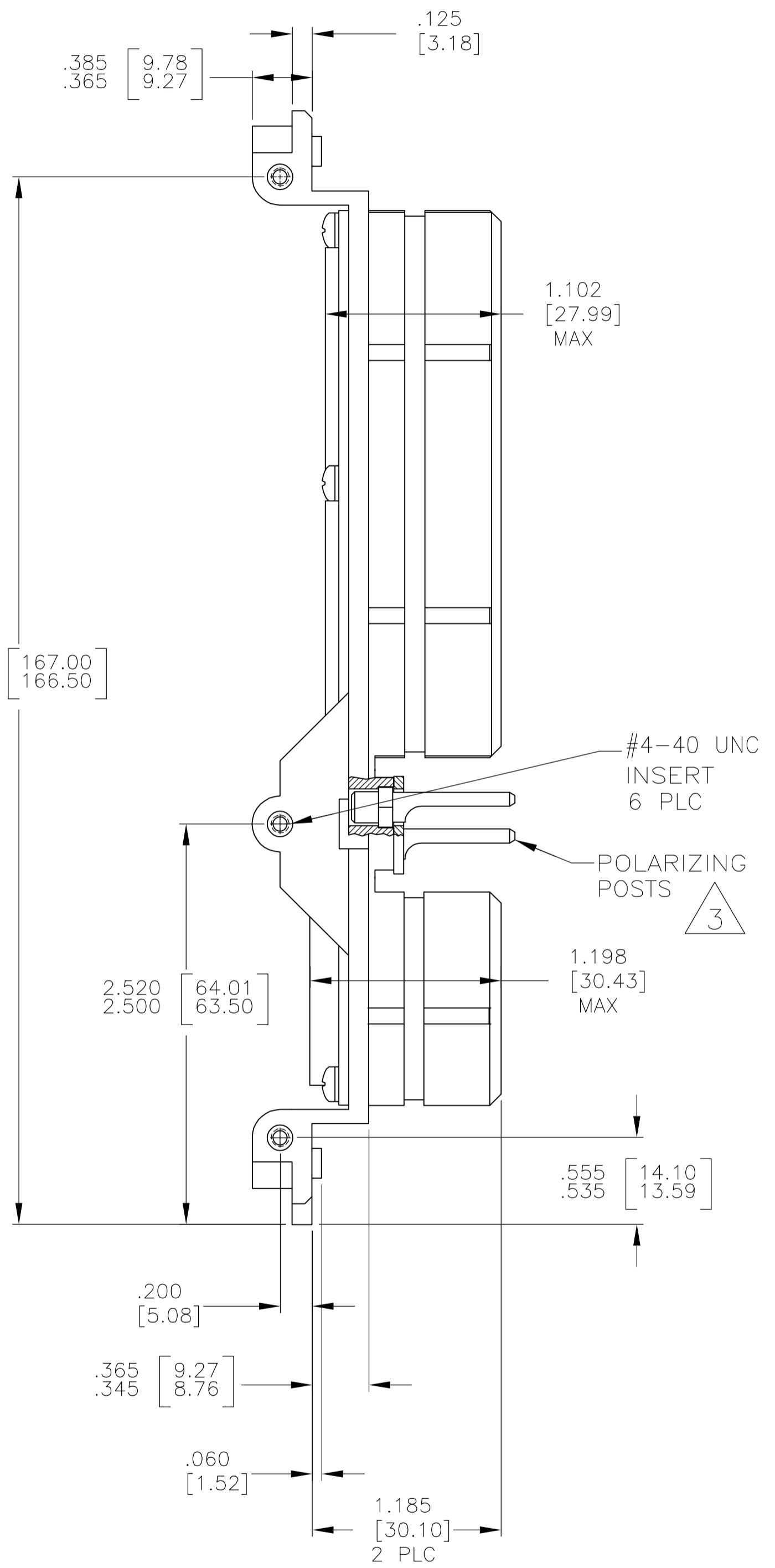
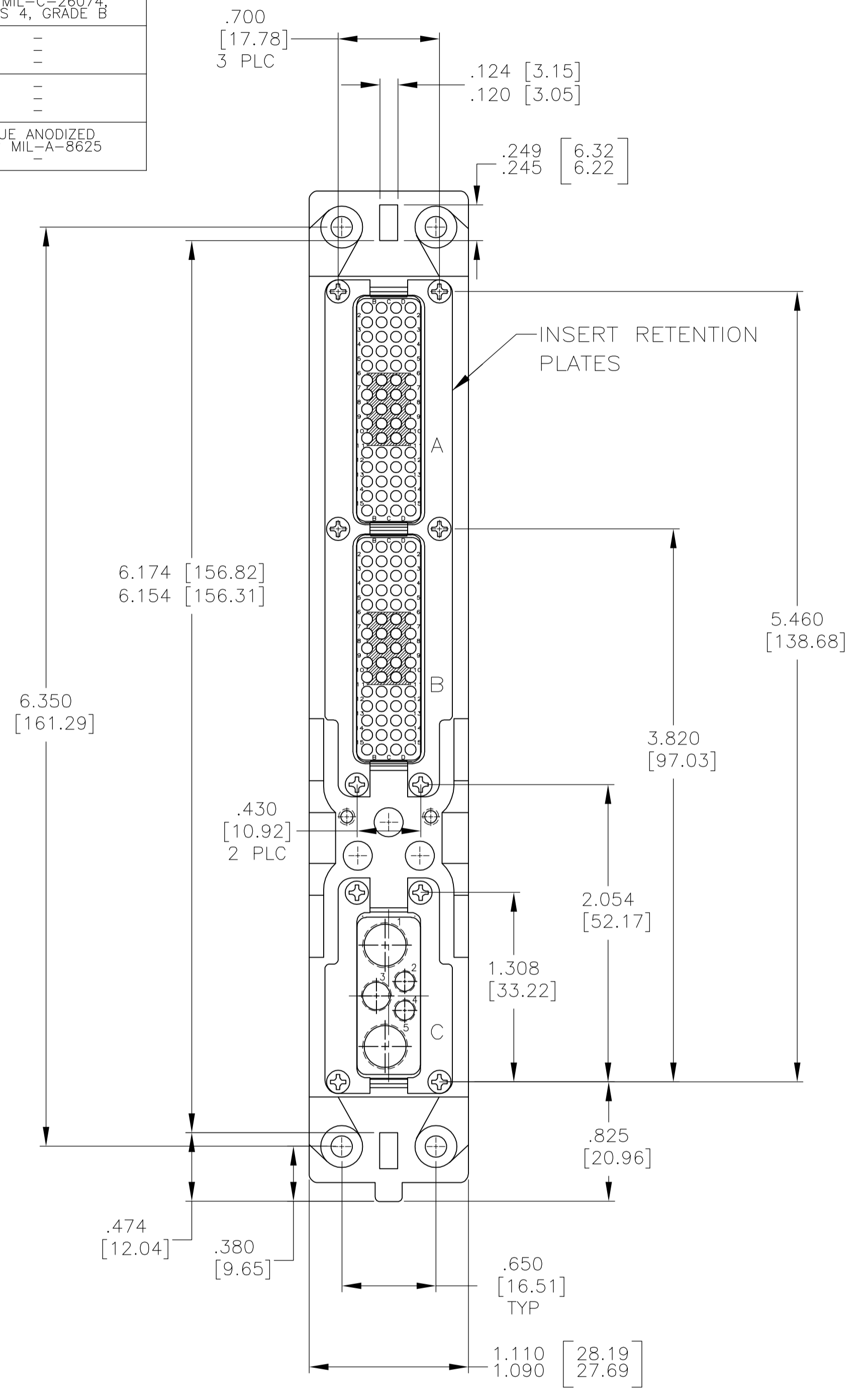


| COMPONENT                       | MATERIAL                        | FINISH   |
|---------------------------------|---------------------------------|--|
| SHELL                           | DIE CAST ALUMINUM PER ASTM-B-85 | CHEMICAL COVERSION COATING PER MIL-C-5541, CLASS 1A  |
| RETENTION PLATES                | ALUMINUM ALLOY PER ASTM-B-209   | CHEMICAL COVERSION COATING PER MIL-C-5541, CLASS 1A  |
| SCREWS AND LOCKWASHERS          | STEEL OR STAINLESS STEEL        | CHROMATE OVER ZINC OR PASSIVATED                     |
| POLARIZING POSTS                | ZINC ALLOY PER ASTM-B-86        | ELECTROLESS NICKEL PER MIL-C-26074, CLASS 4, GRADE B |
| INSERTS                         | THERMOSET                       | -  |
| FILLER PLUG                     | TEFLON                          | -  |
| POLARIZING POST RETAINING PLATE | ALUMINUM ALLOY PER ASTM-B-209   | BLUE ANODIZED PER MIL-A-8625                         |

| LOC | DIST | REVISIONS   |      |     |      |
|-----|------|-------------|------|-----|------|
| P   | LTR  | DESCRIPTION | DATE | OWN | APVD |
| 0   |      | RELEASED    | 3-04 | CT  | SG   |



- CONNECTOR DIMENSIONS ARE PER ARINC 600 SPECIFICATION
- FOLLOWING CONTACTS AND PLUGS ARE INCLUDED AND NOT LOADED:  
 SIZE 22 PIN: AMP P/N 208262-3; QTY: 120  
 SIZE 16 SOCKET: 208270-2, QTY: 2  
 SIZE 12 SOCKET: 208273-2, QTY: 1  
 SIZE 5 FILLER PLUG: 1484225-1, QTY: 1  
 SIZE 5 SOCKET: P/N 225791-2; QTY: 1

KEYING SHOWN IN POSITION "01" FOR REFERENCE ONLY. SEE TABLE FOR KEYING POSITION. FOR POSITION "00" KEYING SHIPPED UNASSEMBLED.

|                 |             |
|-----------------|-------------|
| "00"            | 1757076-1   |
| KEYING POSITION | PART NUMBER |

|  |  |                           |   |
|--|--|---------------------------|---|
| THIS DRAWING IS A CONTROLLED DOCUMENT. |  | DIN C.C.THOMAS 3-12-04    | Tyco Electronics Corporation<br>Harrisburg, Pa 17105-3608 |
| DIMENSIONS: INCHES                     |  | CHK S.GLATFELTER 3-15-04  |   |
| TOLERANCES UNLESS OTHERWISE SPECIFIED: |  | APVD S.GLATFELTER 3-15-04 | NAME: PLUG ASSY, SIZE 1, ARR 11, ARINC 600 (60/60/5C2)    |
| 0 PLC ± -                              |  | PRODUCT SPEC              |   |
| 1 PLC ± -                              |  | APPLICATION SPEC          | SIZE: A1  |
| 2 PLC ± -                              |  | WEIGHT                    | CAGE CODE: 00779  |
| 3 PLC ± .005 [0.13]                    |  | CUSTOMER DRAWING          | DRAWING NO: 1757076                                       |
| 4 PLC ± -                              |  | SCALE: 1.5:1              | SHEET 1 OF 1  |
| ANGLES ± -                             |  | REV: 0                    |   |
| FINISH: SEE TABLE                      |  |                           |   |