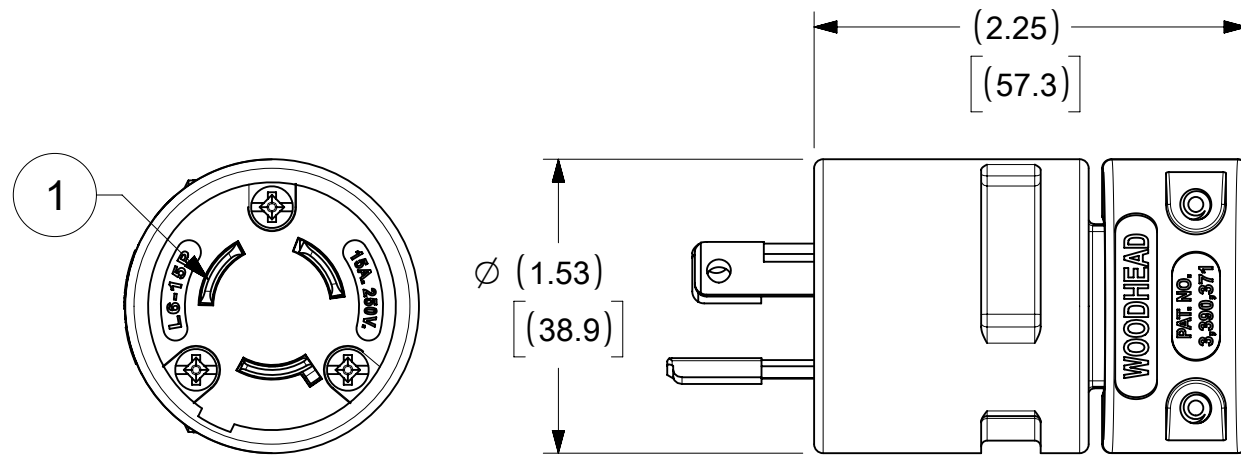
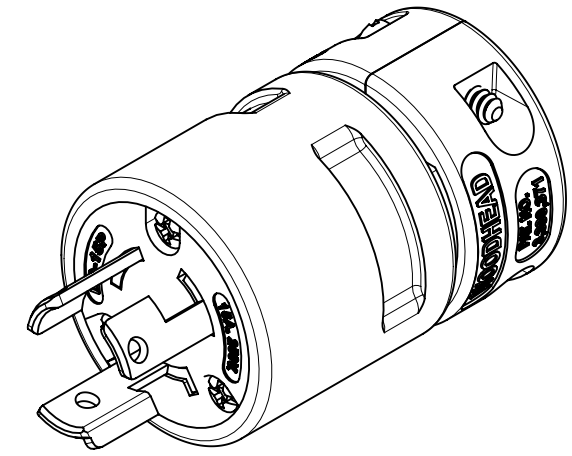
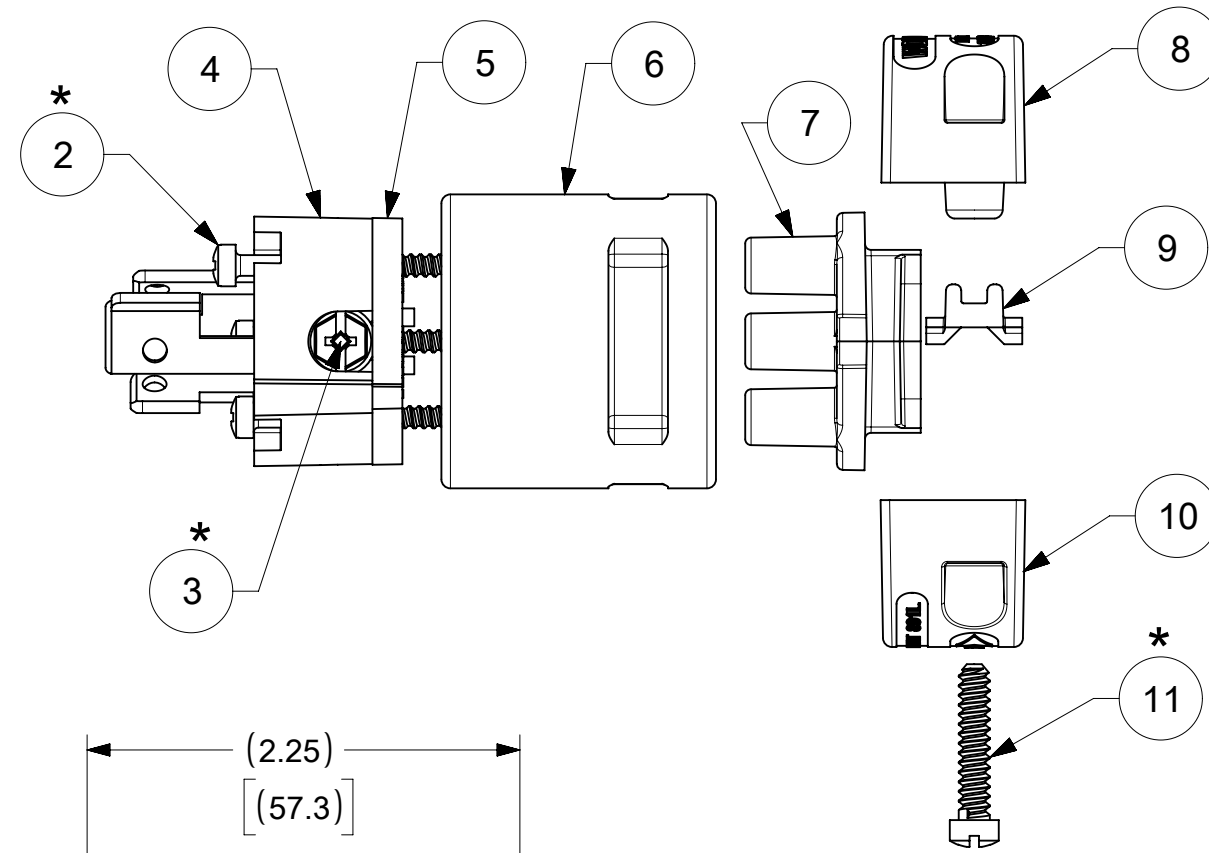
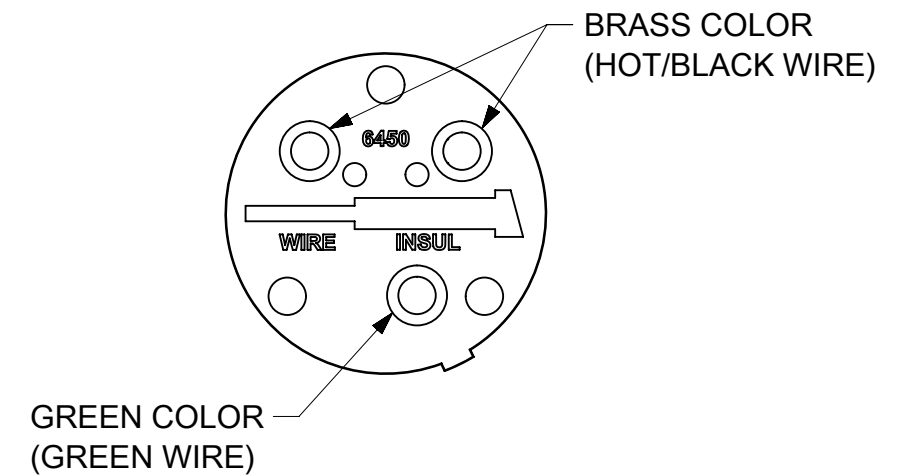


ORDER NO.	WOODHEAD NO.	COLOR
130141-0051	2449	YELLOW



WIRING TERMINATION



* FOR SCREW TORQUE, SEE ASSEMBLY INSTRUCTIONS

ITEM NO.	DESCRIPTIONS	MATERIAL	QTY.
1	BLADES	BRASS, NICKEL PLATED	3
2	RETAINING SCREWS	STAINLESS STEEL	3
3	TERMINAL SCREWS/CLAMP ASSEMBLY	BRASS, ZINC PLATED	3
4	INSERT	NYLON	1
5	TERMINAL COVER	POLYCARBONATE	1
6	CONNECTOR HOUSING	RUBBER	1
7	CLAMP SUPPORT	NYLON	1
8	CLAMP CORD MALE	NYLON	1
9	CLAMP CORD INSERT	NYLON	1
10	CLAMP CORD FEMALE	NYLON	1
11	RETAINING SCREWS	STAINLESS STEEL	3

THIS DRAWING CONTAINS INFORMATION THAT IS PROPRIETARY TO MOLEX ELECTRONIC TECHNOLOGIES, LLC AND SHOULD NOT BE USED WITHOUT WRITTEN PERMISSION											
SYMBOLS		DIMENSION UNITS		SCALE		CURRENT REV DESC: NEW RELEASE					
= 0		INCH/MM		NTS		molex SUPER-SAFEWAY PLUG NEMA L6-15 2P3W PRODUCT CUSTOMER DRAWING EC NO: 629330 DRWN: VHANDI 2019/06/19 CHK'D: DNGUYEN62 2020/04/09 APPR: HKNEELAND 2020/06/02 INITIAL REVISION: DRWN: VHANDI 2019/06/19 APPR: HKNEELAND 2020/06/02					
= 0		GENERAL TOLERANCES (UNLESS SPECIFIED)									
= 0		MM		INCH							
= 0		4 PLACES ±		±							
= 0		3 PLACES ±		±		DOCUMENT NUMBER		DOC TYPE		DOC PART	
= 0		2 PLACES ±		±		1301410051		PSD		000	
= 0		1 PLACE ±		±		REVISION		A		A	
= 0		0 PLACES ±		±		MATERIAL NUMBER		CUSTOMER		SHEET NUMBER	
= 0		ANGULAR TOL ± °		°		SEE TABLE		GENERAL MARKET		1 OF 1	
= 0		DRAFT WHERE APPLICABLE MUST REMAIN WITHIN DIMENSIONS		THIRD ANGLE PROJECTION		DRAWING		SERIES		B-SIZE 130141	