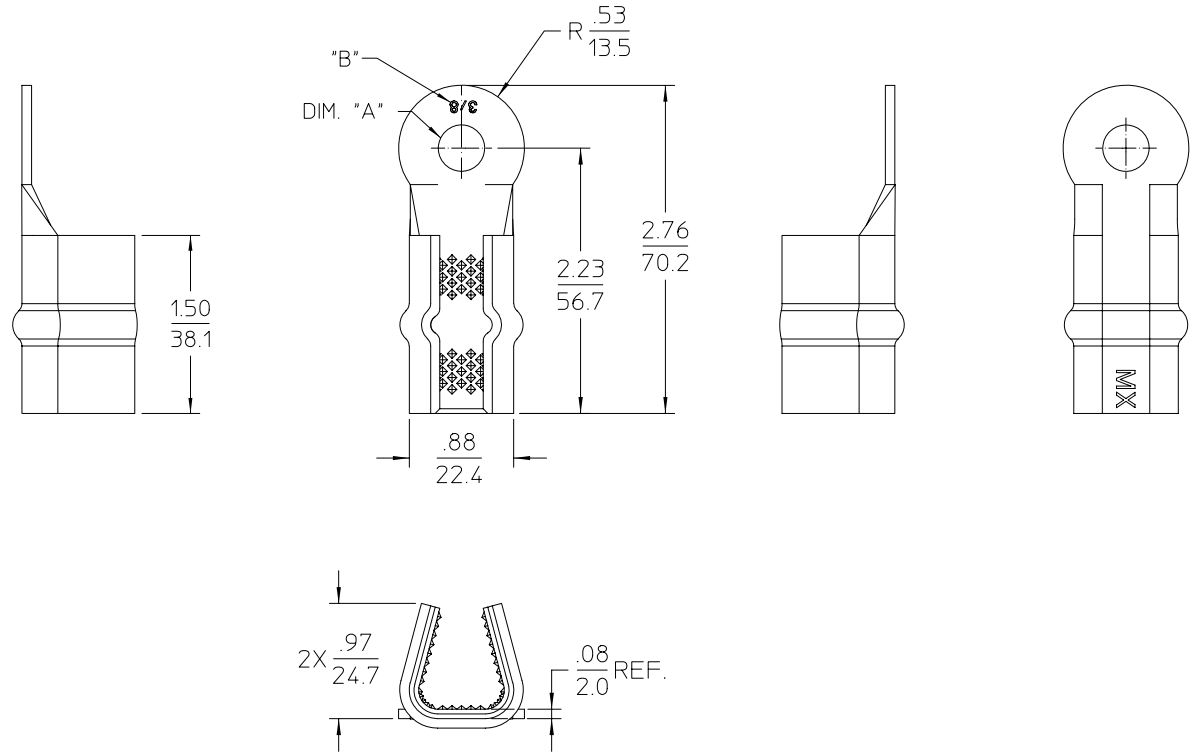
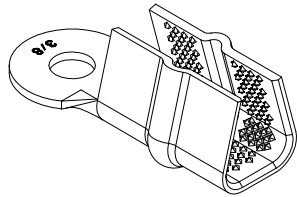


MATERIAL NUMBER	DIM. A	"B"
191951031	ø.390/9.91	3/8
191951047	ø.515/13.08	1/2



- NOTES:
1. MATERIAL: COPPER ALLOY.
 2. FINISH: ELECTRO TIN PLATE.
THICKNESS=100MICRONS MINIMUM.
 3. PRODUCT SPECIFICATION: PS-19195-001.
 4. PART USED TO CONNECT COPPER OR ALUMINUM SINGLE MAGNET WIRE OR MULTIPLE WIRE COMBINATIONS.
 5. COMBINATIONS OF WIRES ARE EITHER MAGNET WIRE TO MAGNET WIRE OR MAGNET WIRE TO LEAD WIRE.

EC NO: ETC2003-0089 IDRWN: JPAWLICK 2002/09/27 CHKD: JPAWLICK 2002/09/27 APPR: RDEROSS 2002/09/27	QUALITY SYMBOLS ▽ = 0 ▽ = 0	GENERAL TOLERANCES (UNLESS SPECIFIED)		SCALE 1:1	DESIGN UNITS INCH	THIRD ANGLE PROJECTION	REVISE ON CAD ONLY		
		4 PLACES ± --- ± ---	3 PLACES ± --- ± ---	DIMENSION STYLE IN/MM		TITLE MAGKRIMP ROUND RING 165,000-230,000 CMA			
DESCRIPTION REV	ANGULAR ± 2 °	2 PLACES ± --- ± .010	1 PLACE ± 0.25 ± ---	DRAWN BY JHACKNEY	DATE 99/01/29	MATERIAL NO SEE CHART			
		DRAFT WHERE APPLICABLE MUST REMAIN WITHIN DIMENSIONS		CHECKED BY RDEROSS	DATE 99/01/29	DOCUMENT NO SD-19195-005	SHEET NO 1 OF 1		
				APPROVED BY RDEROSS		DATE 99/01/29		THIS DRAWING CONTAINS INFORMATION THAT IS PROPRIETARY TO MOLEX INCORPORATED AND SHOULD NOT BE USED WITHOUT WRITTEN PERMISSION	