



TCM-ZBLV-D Series

Zigbee Wireless Lighting Module
Low Voltage Control Module with 0-10V Dimming

Intelligent Device
ECOSYSTEM

Electrical Specifications

Input Voltage Range:	11-13Vdc
Input Current Module Power:	≤0.09A for Units power use

Environmental Specifications

Maximum Case Temp.	72°C
Operating Temperature:	-20°C to +60°C
Storage Temperature:	-40°C to +80°C
Humidity:	5% to 95%
Cooling:	Convection
Vibration Frequency:	5 to 55 Hz/2g, 30 minutes
Impact Resistance:	1g/s
EMC:	FCC 47CFR Part 15 Class B compliant
Weight:	2.1 oz (59g)

- 2.4GHz, +20dBm ZigBee transmit power
- 0-10V Analog Dimming Control, 50mA Sink
- Compatible with LED Drivers & Electronic Ballasts that comply with IEC60929 Annex E2, 0-10V Dimming
- Dust Proof Design IP50
- Daintree Networks Controlscope Certified
- ZigBee HA Certified
- Gray 5VA PC ABS Plastic Case
- UL Dry & Damp location rated
- Reset Button for use with recommissioning.
- Designed for one module per luminaire
- UL2043 Plenum Rated for use in ceiling spaces
- 5 year warranty



Controllers

Model	Description
TCM-ZBLV-D	Thomas Control Module - ZigBee Wireless Dimming Control

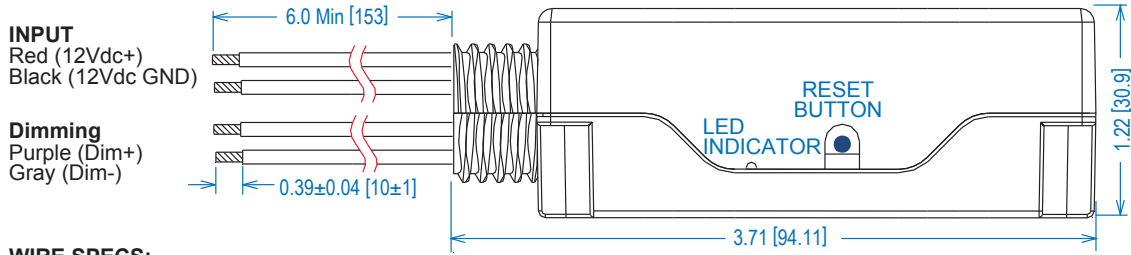
Class 2: US/Canada

Safety Cert.	Standard
UL/CUL	UL8750 & CAN/CSA C22.2 No. 250.13, UL2043 Plenum Rated
CE	EN 61347-1, EN61347-2-13
EMC Standard	Notes
Dimming Circuit	UL & cUL Isolated Class 2, Dim+ Purple/Dim- Gray
FCC Part 15	Class B

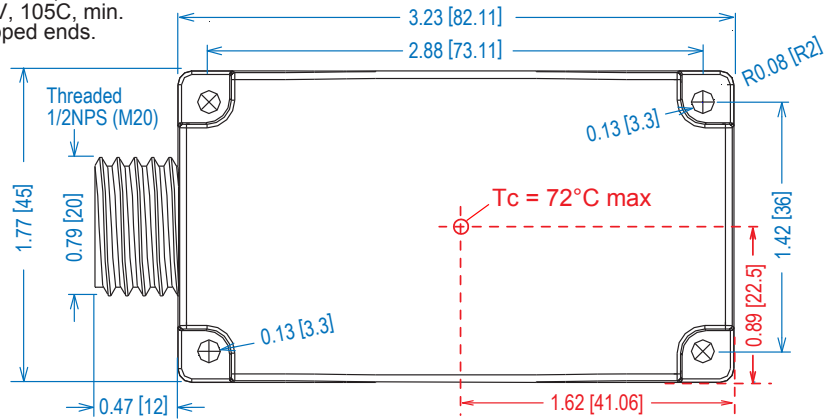
ZigBee is a registered trademark of the ZigBee Alliance.
Daintree Networks and Controlscope are trademarks of Daintree Networks Inc.



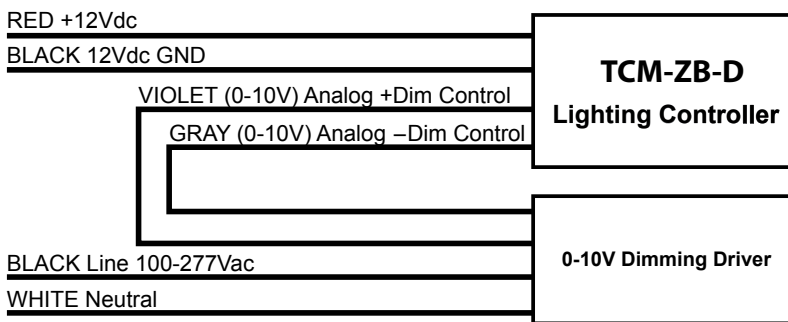
Dimensions



WIRE SPECS:
Input Leads: 22 AWG, rated 300 V, 105C, min.
Output Leads: 22 AWG, rated 300 V, 105C, min.
 All wires are stranded with solder dipped ends.



Typical Application Circuit



Reset Operation

Reset Button

The reset button is used to un-join a Zigbee network and reset the TCM-ZBLV-D to factory defaults. To reset: Press and hold the reset button for 7 seconds. You will hear an internal relay click once reset occurs. The green LED indicator will flash On/Off when not joined to a Zigbee network.

Joined

The green LED indicator will remain ON when TCM-ZBLV-D has successfully joined a Zigbee network.

UL Conditions of Acceptability

See website for additional information