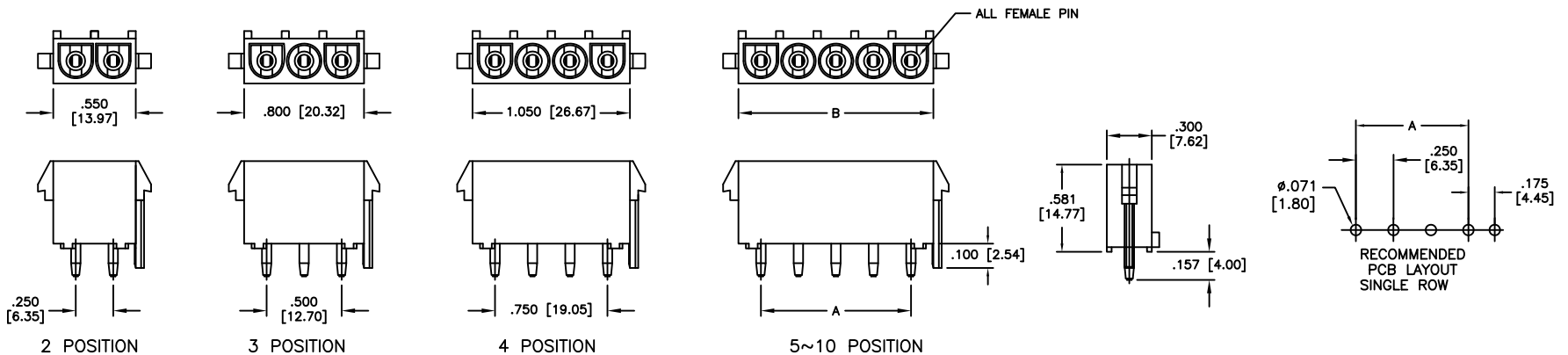


APPROVED: _____
 DATE: _____ TITLE: _____

Rev	AWO #	Description	Date	Appr
-		RELEASED	2/21/20	



Poles	Dimensions			
	A		B	
02	.250	[6.35]	.550	[13.97]
03	.500	[12.70]	.800	[20.32]
04	.750	[19.05]	1.050	[26.67]
05	1.000	[25.40]	1.307	[33.20]
06	1.250	[31.75]	1.550	[39.37]
07	1.562	[38.10]	1.800	[45.72]
08	1.750	[44.45]	2.050	[52.07]
09	2.000	[50.80]	2.300	[58.42]
10	2.250	[57.15]	2.550	[64.77]

SPECIFICATIONS:

Material:
 Insulator: Nylon 66, rated UL 94V-2
 Insulator color: Natural
 Contacts: Phosphor Bronze, Tin plated
 Electrical:
 Current rating: 02~10P: 12 Amp Max (With UL1015, 12AWG)
 Contact resistance: 20 mohms max
 Insulation resistance: 1,000M ohms min
 Dielectric withstanding voltage: 2,900 VAC for 1 minute
 Temperature Rating:
 -40°C to +105°C
 Environmental:
 Lead free, RoHS compliant.



UNLESS OTHERWISE SPECIFIED ALL DIMENSIONS ARE MM [INCHES] TOLERANCES: EXCEPT AS NOTED		
INCHES		HOLES
.X ± .10	Ø.X ± .10	
.XX ± .020	Ø.XX ± .015	
.XXX ± .015	Ø.XXX ± .010	
APPROVALS		DATE
DRAWN	LH	2/21/20
CHECKED	AY1	2/21/20
APPROVED		

ADAM TECH INTERCONNECTS 909 Rahway Avenue,
 Union, NJ 07083
 Phone: 908-687-5000
 Fax: 908-687-5710

TITLE WIRE TO BOARD, FEMALE, 6.35mm PITCH, WITH POLARIZING PEG, FEMALE PIN		
SIZE X	PART NO. DME-F-XX-S2-P-S	REV. -
REF: S00124T	SCALE: NTS	SHEET 1 OF 1