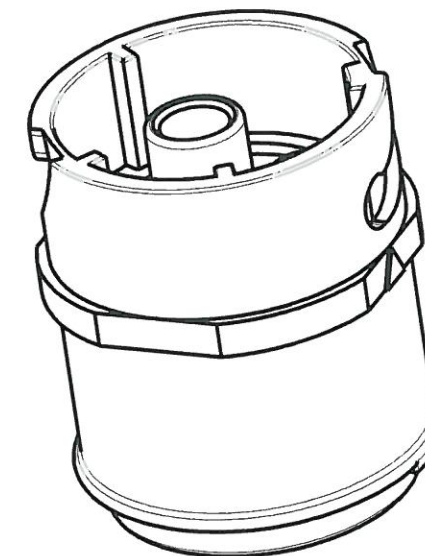
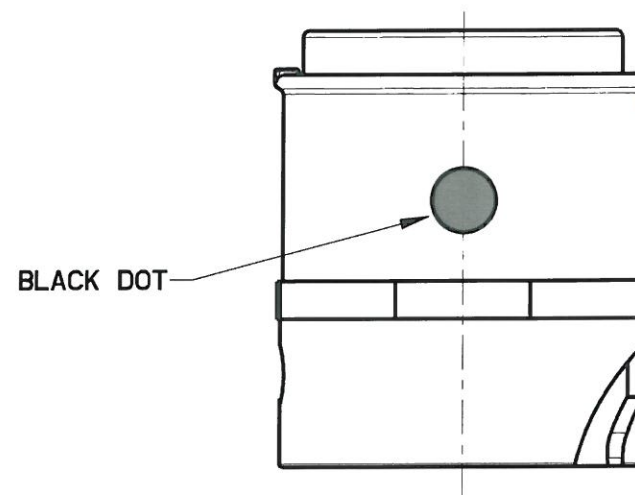
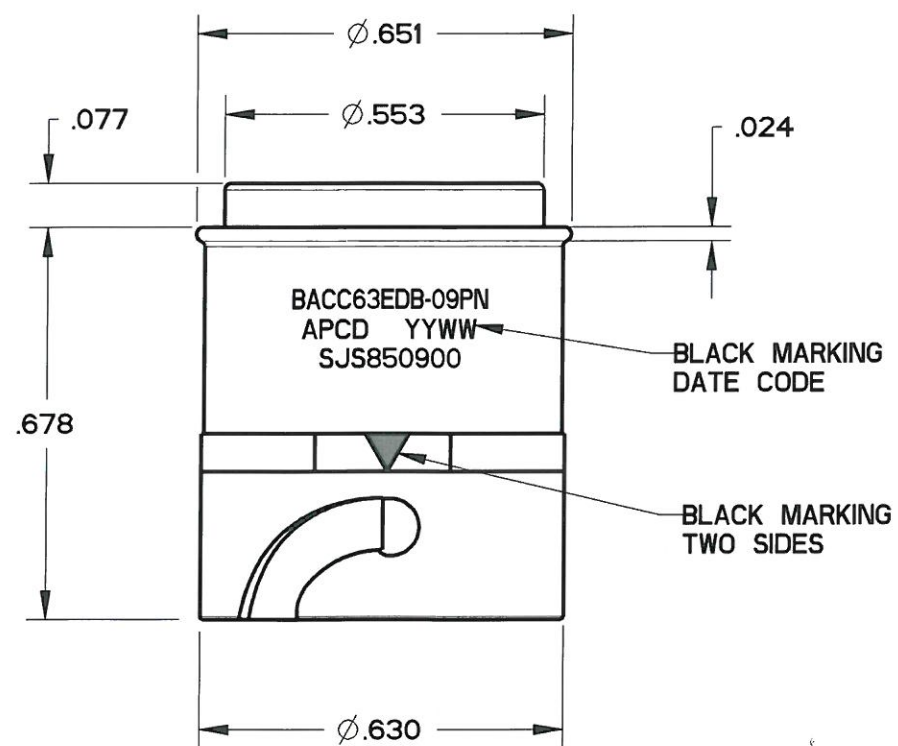
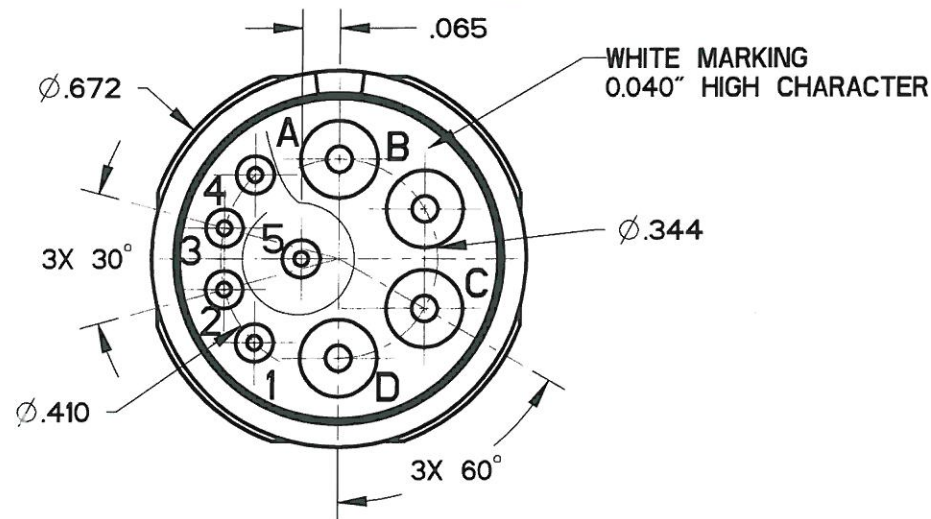


REV	ECN	APP'D
-	6481	JT 2/22/10
A	6487	JT 2/25/10
B	6573	JT 8/30/10
C	6679	JT 3/15/14



- NOTES:
- MATERIALS:
HOUSING: PA6/6
CONTACT RETAINER: STAINLESS STEEL
GROMMET: SILICONE RUBBER PER A-A-59588
 - MATING CONTACTS: SEE TABLE I
 - TEST SPECIFICATION: BACC63ED
 - PART MATES WITH SJS850910
 - WEIGHT: 3.2 GRAMS
 - SUPPLIED WITH DUST CAP

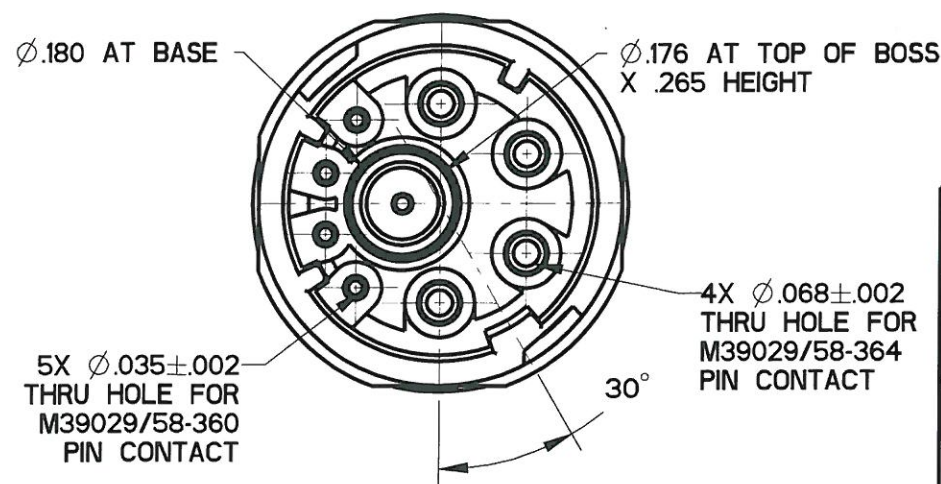


TABLE I

APCD P/N	BOEING P/N	P/N MARKING(S)	CONTACTS SUPPLIED
SJS850900	BACC63EDB-09PNH	BACC63EDB-09PN	NONE
SJS850901	BACC63EDB-09PN	SJS850900	(5) M39029/58-360 (4) M39029/58-364

DIMENSIONS ANSI Y14.5M UNITS: INCHES Pro/E FILE		TOLERANCES .XX ±0.01 .XXX ±0.005 ANGLES ±1.0°		PROJECTION 		Amphenol Pcd SPECIFICATION DRAWING ENGR Frank.Li 15-Jan-09		TITLE BACC63EDB-09PN 4P SZ16 & 5P SZ22 WHITE RECEPTACLE FOR SJS		
ORIGINAL 		THIS DOCUMENT CONTAINS PROPRIETARY INFORMATION WHICH IS THE CONFIDENTIAL PROPERTY OF AMPHENOL PCD INC., BEVERLY, MA				CHKD <i>Rick Newman 3/15/11</i> APPD <i>Andrew 3/15/14</i>		SIZE B	DWG NO. SJS850900_CE	REV C
CODE: 58982		SCALE: 3:1		SHEET 1 OF 1						

SJS850900

SJS850900