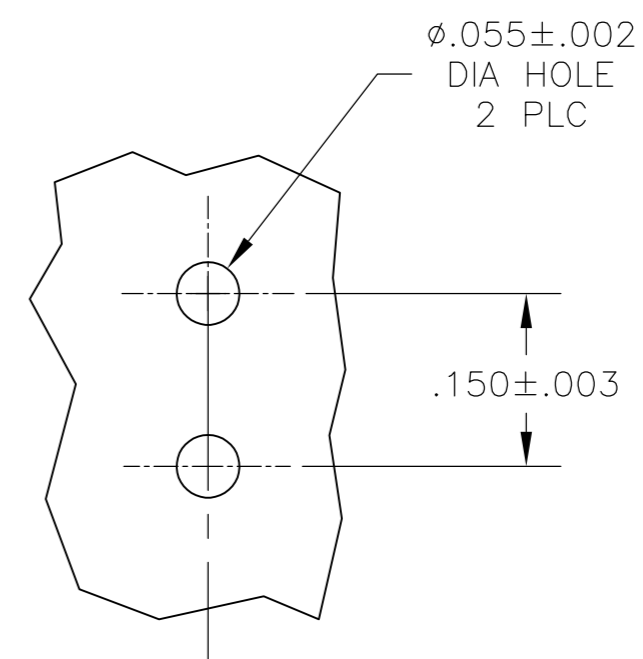
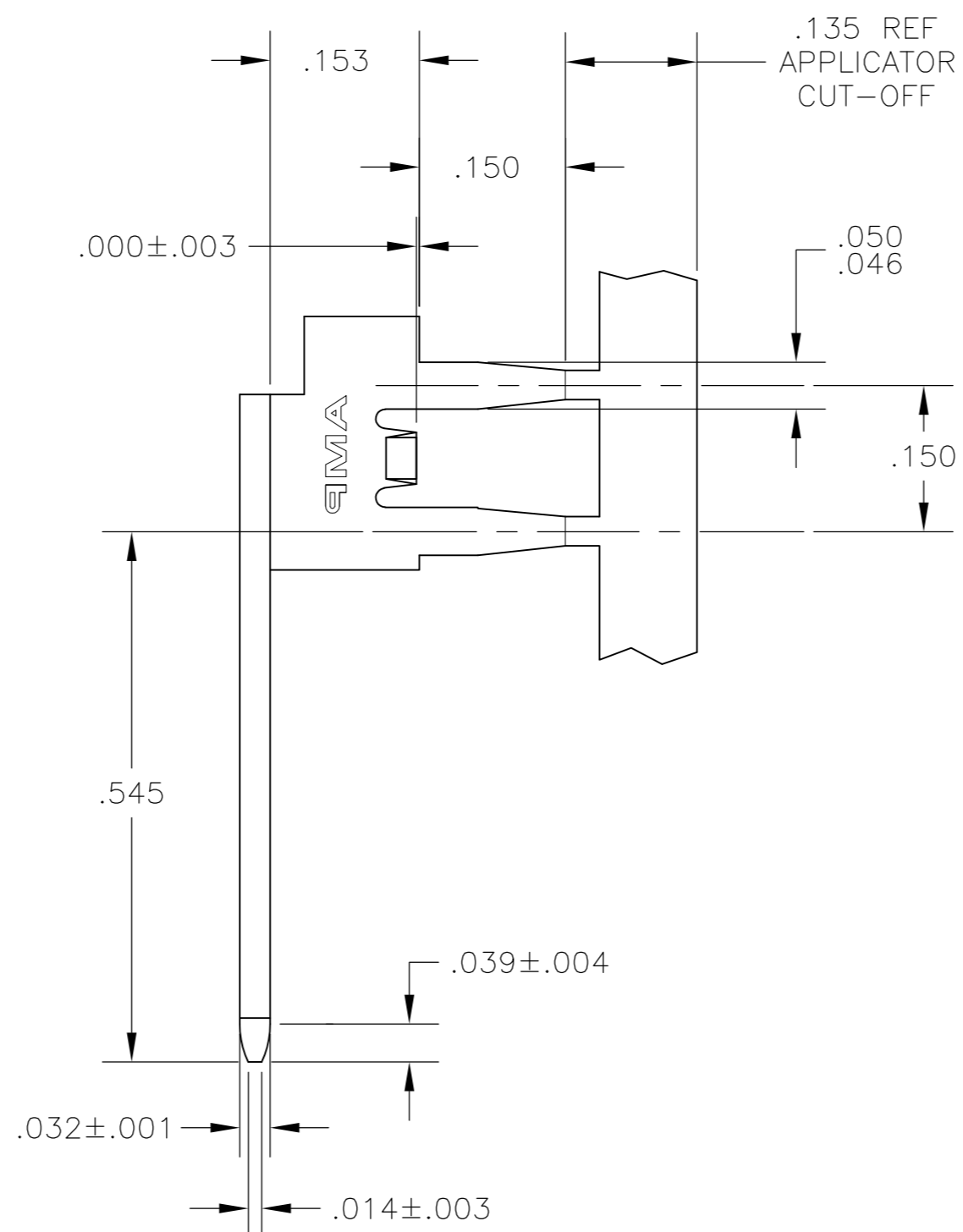
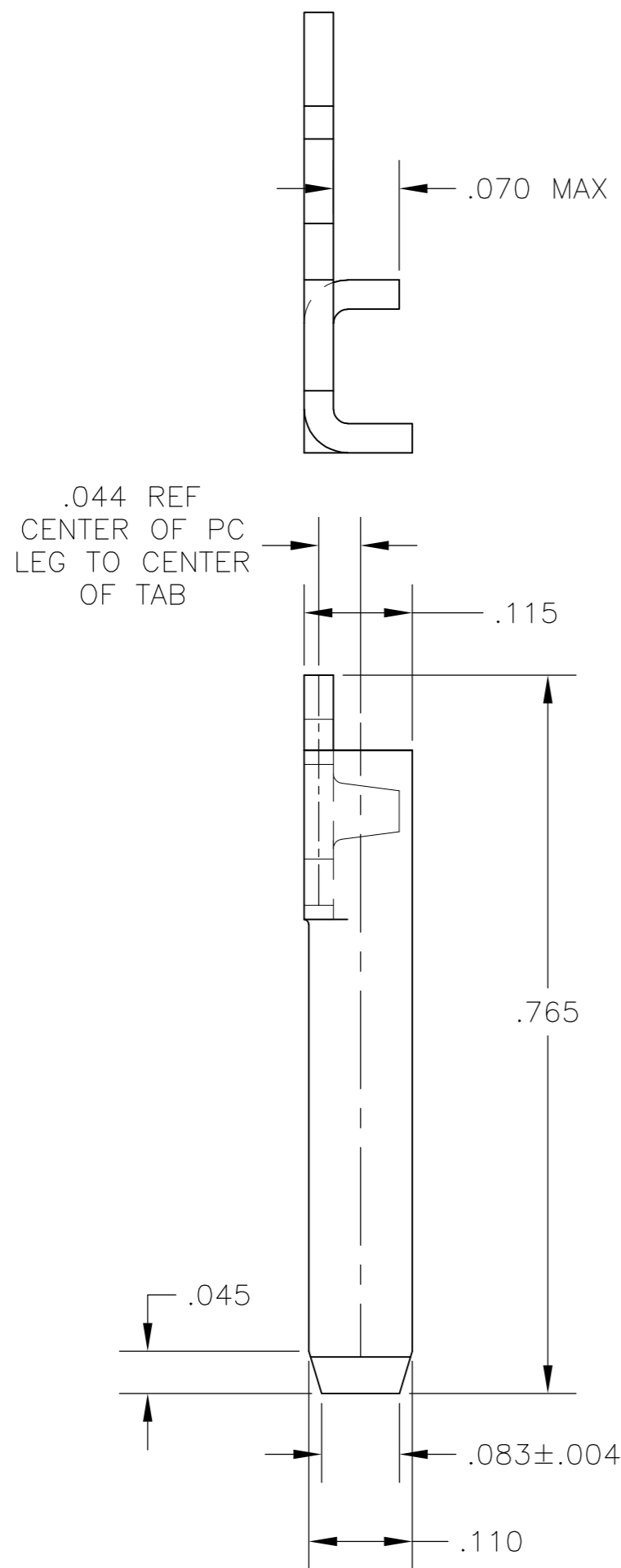


THIS DRAWING IS UNPUBLISHED. RELEASED FOR PUBLICATION  
 © COPYRIGHT - By - ALL RIGHTS RESERVED.

LOC	DIST	REVISIONS			
P	LTR	DESCRIPTION	DATE	DWN	APVD
AF	50	J	REVISED PER ECR-13-001204	26JUN13	KH PD

- 1 CONTINUOUS STRIP ON REELS.
- 2 .000100-.000200 TIN OVER  
.000100 MIN NICKEL.



P.C. BOARD HOLES

1217089-1  
PART NO.

THIS DRAWING IS A CONTROLLED DOCUMENT.		DWN	JR RUTH	06APR01	 TE Connectivity																	
DIMENSIONS: INCHES		CHK	MS FEHER	06APR01																		
TOLERANCES UNLESS OTHERWISE SPECIFIED:		APVD	N DEIBERT	06APR01																		
<table border="1"> <tr><td>0 PLC</td><td>±</td><td>-</td></tr> <tr><td>1 PLC</td><td>±</td><td>-</td></tr> <tr><td>2 PLC</td><td>±</td><td>-</td></tr> <tr><td>3 PLC</td><td>±</td><td>.010</td></tr> <tr><td>4 PLC</td><td>±</td><td>-</td></tr> <tr><td>ANGLES</td><td>±</td><td>-</td></tr> </table>		0 PLC	±	-		1 PLC	±	-	2 PLC	±	-	3 PLC	±	.010	4 PLC	±	-	ANGLES	±	-	NAME	TAB, SPECIAL FOR P.C. BOARD
0 PLC	±	-																				
1 PLC	±	-																				
2 PLC	±	-																				
3 PLC	±	.010																				
4 PLC	±	-																				
ANGLES	±	-																				
MATERIAL: BRASS		FINISH	<table border="1"> <tr> <td>SIZE</td> <td>CAGE CODE</td> <td>DRAWING NO</td> <td>RESTRICTED TO</td> </tr> <tr> <td>A2</td> <td>00779</td> <td>C=1217089</td> <td>-</td> </tr> </table>		SIZE	CAGE CODE	DRAWING NO	RESTRICTED TO	A2	00779	C=1217089	-										
SIZE	CAGE CODE	DRAWING NO	RESTRICTED TO																			
A2	00779	C=1217089	-																			
CUSTOMER DRAWING		WEIGHT	SCALE: 6:1																			
		SHEET 1 of 1		REV J																		